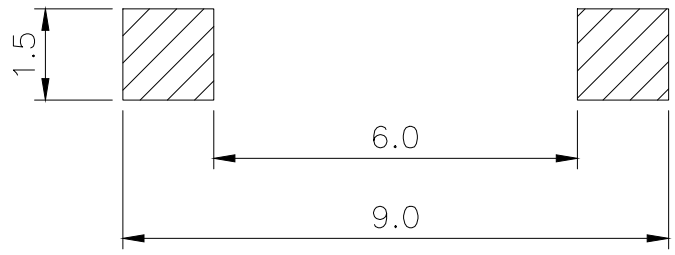
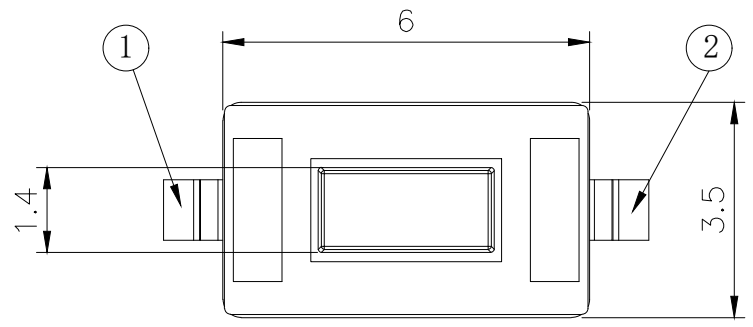
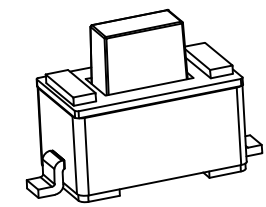


CIRCUIT DIAGRAM



PCB. WELDING DRAWING

### Specification

|                       |                     |
|-----------------------|---------------------|
| Operating Life        | 100,000             |
| Contact rating        | 50mA@12V DC.        |
| Insulation resistance | 1011Ω min.          |
| Contact resistance    | 100mΩ max. initial. |
| Dielectric Strength   | 250 V AC(1mm)       |
| Travel                | 0.2±0.1mm           |
| Storage Temperature   | -30° C to 80° C     |

Packaging:  
a reel of 2,000 pieces for 4.3~4.5H.  
a reel of 2,000 pieces for 5H

| ITEM | DESCRIPTION | MATERIAL        | QTY | FINISH/COLOR |
|------|-------------|-----------------|-----|--------------|
| E    | Button      | PPA             | 1   | White        |
| D    | COVER       | Phosphor copper | 1   | Silver       |
| C    | DOME        | Stainless Steel | 1   | Plated Ag    |
| B    | HOUSING     | PPA             | 1   | Black/White  |
| A    | Cards       | Phosphor copper | 1   | Plated Ag    |

### Mechanical

| P/N      | Operating Force (gf) | Height mm | Button | Leads Shape (G, J, T) | Ground pin (0, 1) | Pegs Option (0, 1) |
|----------|----------------------|-----------|--------|-----------------------|-------------------|--------------------|
| YTS1C011 | 2                    | 250±50    | B      | W(White)              | 0                 | 0                  |
|          | 1                    | 180±50    | A      | G                     | (None)            | (none)             |

|  |            |             |
|--|------------|-------------|
| X. ±0.50   | X.° ±2°    | UNITS<br>mm |
| .X ±0.30   | .X° ±1°    |             |
| .XX ±0.10  | .XX° ±0.5° | MAT'L       |
| .XXX ±0.05   |            | FINISH      |
| THESE DRAWINGS AND SPECIFICATIONS ARE THE PROPERTY OF YIYUAN TECHNOLOGY CO.,LTD AND SHALL NOT BE REPRODUCED, COPIED OR USED IN ANY MANNER WITHOUT THE PRIOR WRITTEN CONSENT OF YIYUAN TECHNOLOGY CO.,LTD |            | Q'TY        |

**深圳市怡远科技有限公司**  
SHENZHEN YIYUAN TECHNOLOGY CO., LTD

|                             |                                 |
|-----------------------------|---------------------------------|
| PART NO.<br><b>YTS1C013</b> | TITLE:<br><b>TACTILE SWITCH</b> |
| APPD: ROGER                 | DWG NO.:<br><b>YTS1C013</b>     |
| CHKD: ROC                   |                                 |
| DR: BILLY WANG 2020/08/21   |                                 |

| SCALE | SHEET | REV. |
|-------|-------|------|
| 1/1   | 1/1   | A1   |

## X-ON Electronics

Largest Supplier of Electrical and Electronic Components

*Click to view similar products for [Tactile Switches](#) category:*

*Click to view products by [YIYUAN](#) manufacturer:*

Other Similar products are found below :

[5GTH92001](#) [5GTH9202242](#) [ADTSA62NV](#) [ADTSA62RV](#) [B3F-3123](#) [1977177-8](#) [1977266-1](#) [ADTSA63NV](#) [ADTSM21NSVTR](#)  
[ADTSM25RVTR](#) [ADTSM32NVTR](#) [ADTSMW64RV](#) [FSMRA4JHA04](#) [GS4.70F300QP](#) [3ESH9R](#) [KSC241J SP DELTA LFS](#) [3FTL600RAS](#)  
[3FTL640RAS](#) [Y96K132V0FPLFS](#) [5GSH92001](#) [5GTH9658222](#) [ADTSM31NVTR](#) [2-1977120-7](#) [TSJW-5.2-260-TR](#) [KMT011MNGJLHS](#)  
[ADTSG648NV](#) [ADTSM62KSVTR](#) [ADTSM648NV](#) [95C06E3RAT](#) [3ATH9Q](#) [FSM4JSMLXTR](#) [FSM4JSMXL](#) [FSMRA8JHA04](#) [HARS0073](#)  
[Y97HS12A5RAFP](#) [Y97BT23B2HAFP](#) [Y33R411N9FPLFT](#) [Y31C01402FPLFS](#) [PTS645SK50SMTR92](#) [ADTSM32NVB](#) [KMS233GPWTLFG](#)  
[Y78B42324FP](#) [Y33R21116FPLFT](#) [Y31B43131FPLFG](#) [Y78B64124FP](#) [Y71243251FP](#) [Y33R31119FPLFT](#) [Y97HS12A5TAFP](#)  
[PTS638SK25SMTR2LFS](#) [Y97LT25BADBFP](#)