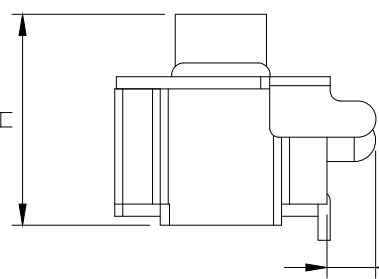
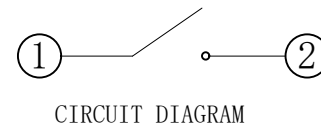
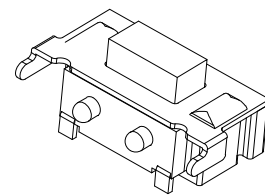
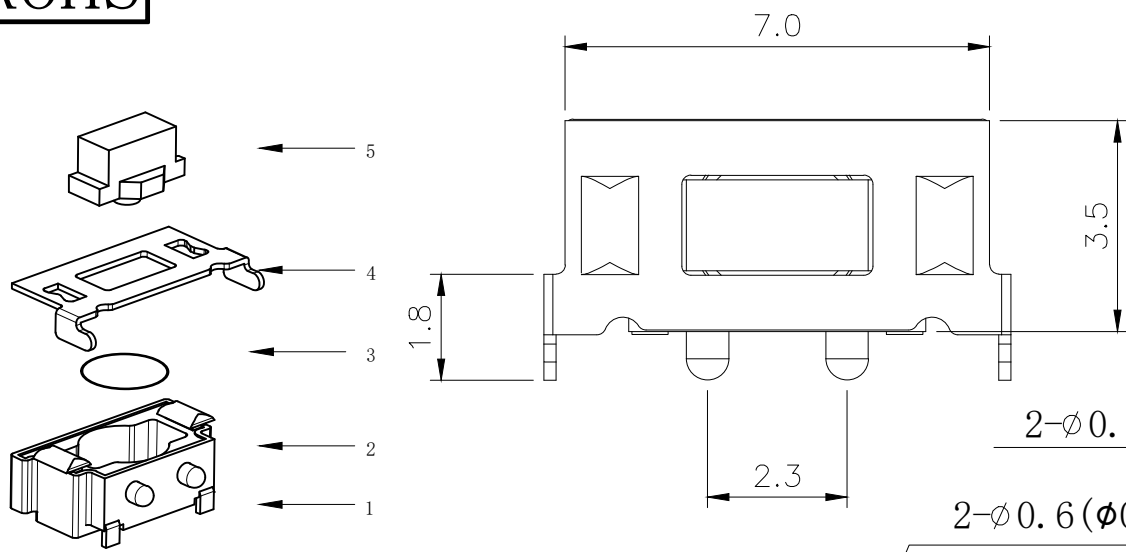


RoHS

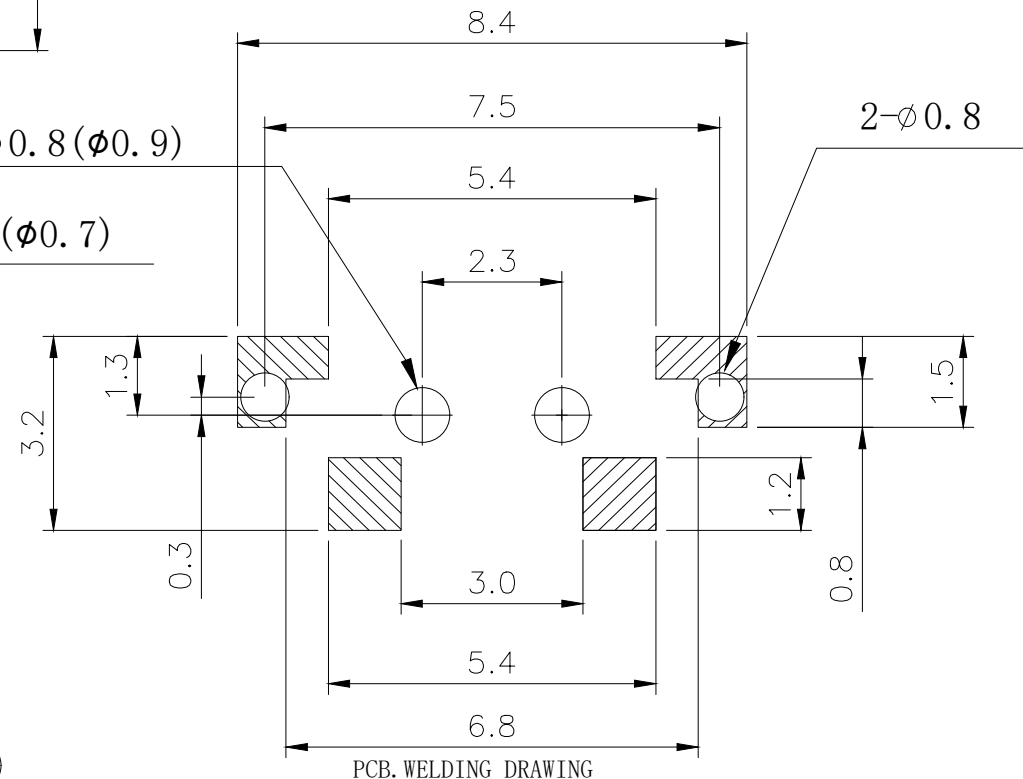
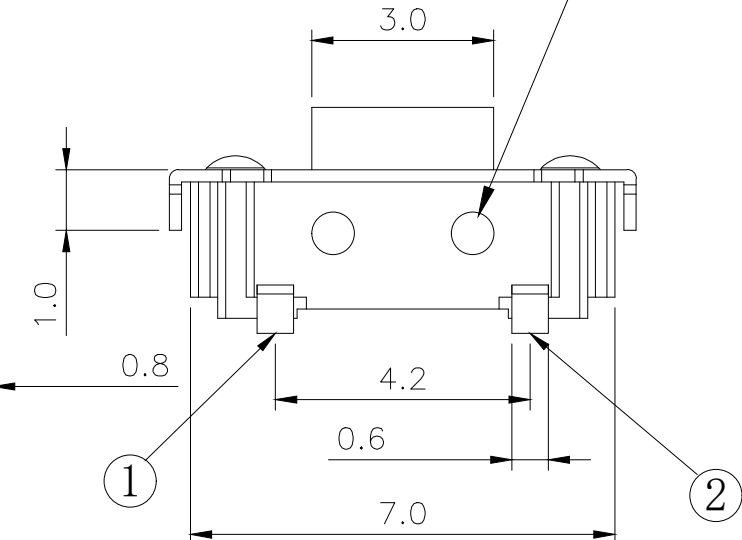
CAD GENERATED DRAWING. DON'T CHANGE BY HAND.

| REV. | ECN. NO. | APPD. |
|------|----------|-------|
| | | |



Specification

| | |
|-----------------------|---------------------|
| Operating Life | 100,000 |
| Contact rating | 50mA@12V DC. |
| Insulation resistance | 1011Ω min. |
| Contact resistance | 100mΩ max. initial. |
| Dielectric Strength | 250 V AC(1mm) |
| Travel | 0.2±0.1mm |
| Storage Temperature | -30° C to 80° C |



Packaging:
Reel of 2,000 pieces.

| E | Button | PPA/Silicone | 1 | Black/Blue |
|------|-------------|-----------------|-----|--------------|
| D | COVER | Phosphor copper | 1 | Silver |
| C | DOME | Stainless Steel | 1 | Plated Ag |
| B | HOUSING | PPA | 1 | Black |
| A | CARDS | Phosphor copper | 1 | Plated Ag |
| ITEM | DESCRIPTION | MATERIAL | QTY | FINISH/COLOR |

| P/N | Operating Force (gf) | Height mm | Button | Leads Shape (G, J, T) | Ground pin (0, 1) | Pegs Option (0, 1) |
|----------|----------------------|-----------|-----------|-----------------------|-------------------|--------------------|
| YTS1C001 | 3 | 180±50 | | | | |
| | 2 | 180±50 | B (Black) | | 1 (Ground pin 0) | 1 (Pegs Option) |
| | 1 | 120±50 | A | U (Blue) | 0 (none) | 0 (none) |

Mechanical

| | | |
|------------|------------|-------------|
| X. ±0.50 | X.° ±2° | UNITS mm |
| .X ±0.30 | .X° ±1° | |
| .XX ±0.10 | .XX° ±0.5° | MAT'L |
| .XXX ±0.05 | | |

THESE DRAWINGS AND SPECIFICATIONS ARE THE PROPERTY OF YIYUAN TECHNOLOGY CO.,LTD AND SHALL NOT BE REPRODUCED, COPIED OR USED IN ANY MANNER WITHOUT THE PRIOR WRITTEN CONSENT OF YIYUAN TECHNOLOGY CO.,LTD

FINISH: /

Q'TY: /

yiYUAN 深圳市怡远科技有限公司
SHENZHEN YIYUAN TECHNOLOGY CO.,LTD

PART NO. YTS1C003

TITLE: TACTILE SWITCH

APPD: ROGER

CHKD: ROC

DR: BILLY WANG 2020/08/21

DWG NO.: YTS1C003

SCALE: 1/1

SHEET: 1/1

REV.: A1

X-ON Electronics

Largest Supplier of Electrical and Electronic Components

Click to view similar products for [Tactile Switches](#) category:

Click to view products by [YIYUAN](#) manufacturer:

Other Similar products are found below :

[5GTH92001](#) [5GTH9202242](#) [ADTSA62NV](#) [ADTSA62RV](#) [B3F-3123](#) [1977177-8](#) [1977266-1](#) [ADTSA63NV](#) [ADTSM21NSVTR](#)
[ADTSM25RVTR](#) [ADTSM32NVTR](#) [ADTSMW64RV](#) [FSMRA4JHA04](#) [GS4.70F300QP](#) [3ESH9R](#) [KSC241J SP DELTA LFS](#) [3FTL600RAS](#)
[3FTL640RAS](#) [Y96K132V0FPLFS](#) [5GSH92001](#) [5GTH9658222](#) [ADTSM31NVTR](#) [2-1977120-7](#) [TSJW-5.2-260-TR](#) [KMT011MNGJLHS](#)
[ADTSG648NV](#) [ADTSM62KSVTR](#) [ADTSM648NV](#) [95C06E3RAT](#) [3ATH9Q](#) [FSM4JSMLXTR](#) [FSM4JSMXL](#) [FSMRA8JHA04](#) [HARS0073](#)
[Y97HS12A5RAFP](#) [Y97BT23B2HAFP](#) [Y33R411N9FPLFT](#) [Y31C01402FPLFS](#) [PTS645SK50SMTR92](#) [ADTSM32NVB](#) [KMS233GPWTLFG](#)
[Y78B42324FP](#) [Y33R21116FPLFT](#) [Y31B43131FPLFG](#) [Y78B64124FP](#) [Y71243251FP](#) [Y33R31119FPLFT](#) [Y97HS12A5TAFP](#)
[PTS638SK25SMTR2LFS](#) [Y97LT25BADBFP](#)