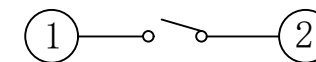
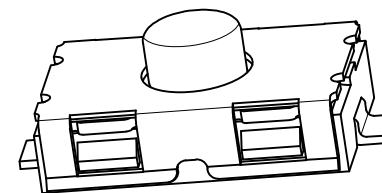
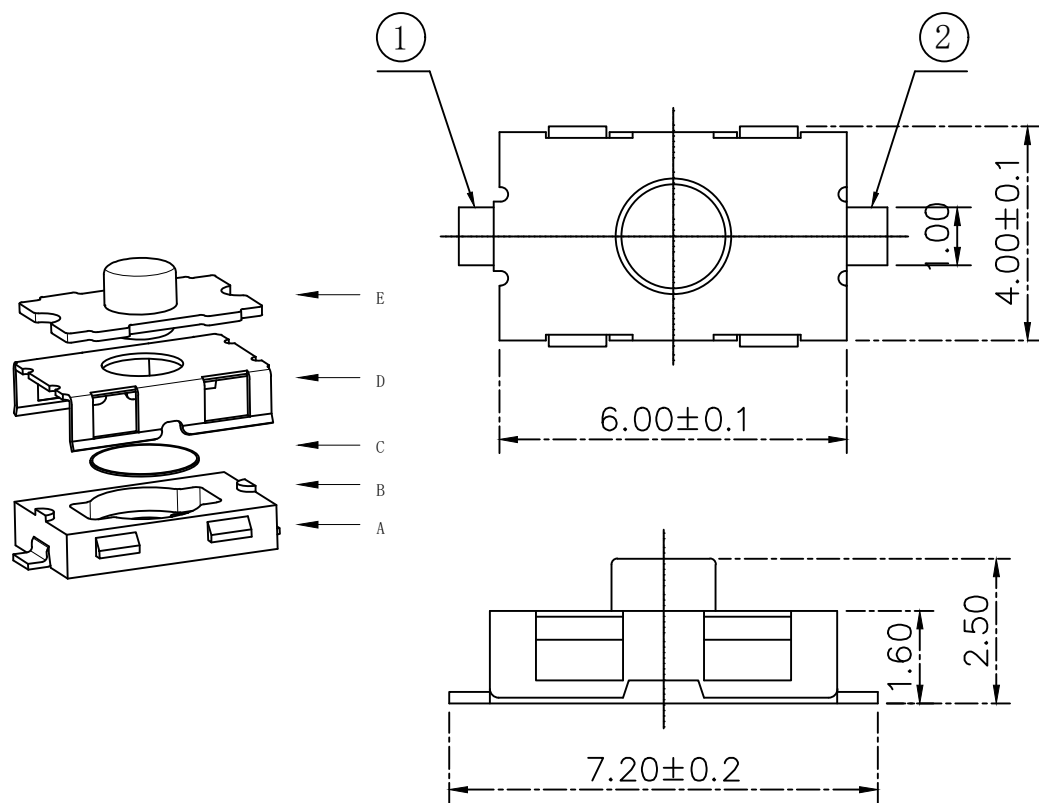


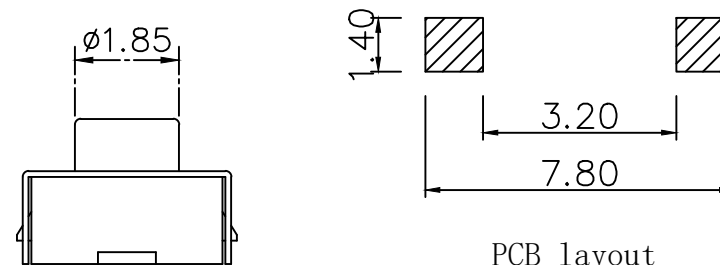
RoHS

CAD GENERATED DRAWING. DON'T CHANGE BY HAND.

| | | |
|------|----------|-------|
| REV. | ECN. NO. | APPD. |
| | | |



CIRCUIT DIAGRAM



PCB layout

Specification

| | |
|-----------------------|---------------------|
| Operating Life | 100,000 |
| Contact rating | 50mA@12V DC. |
| Insulation resistance | 100 Ω min. |
| Contact resistance | 100mΩ max. initial. |
| Dielectric Strength | 250 V AC(1mm) |
| Travel | 0.35±0.15mm |
| Storage Temperature | -30° C to 85° C |

Packaging:
Reel of 3,000 pieces.

| E | STEM | Silicone | 1 | Black |
|------|-------------|-----------------|-----|--------------|
| D | COVER | Stainless Steel | 1 | Clean |
| C | DOME | Stainless Steel | 1 | Plated Ag |
| B | HOUSING | PPA | 1 | Black |
| A | PIN | Brass | 1 | Plated Ag |
| ITEM | DESCRIPTION | MATERIAL | QTY | FINISH/COLOR |

Mechanical

| Actuation Force | Operatin & Force(gf) | Height mm |
|-----------------|----------------------|-----------|
| YTS1C0191ABG00 | 180±30 | 2.5 |
| YTS1C0192ABG00 | 250±50 | 2.5 |
| YTS1C0193ABG00 | 350±50 | 2.5 |

| | | |
|--|------------|-------------|
| X. ±0.50 | X.° ±2° | UNITS mm |
| .X ±0.20 | .X° ±1° | |
| .XX ±0.10 | .XX° ±0.5° | MAT'L |
| .XXX ±0.05 | | FINISH |
| THESE DRAWINGS AND SPECIFICATIONS ARE THE PROPERTY OF YIYUAN TECHNOLOGY CO.,LTD AND SHALL NOT BE REPRODUCED, COPIED OR USED IN ANY MANNER WITHOUT THE PRIOR WRITTEN CONSENT OF YIYUAN TECHNOLOGY CO.,LTD | | Q'TY |
| Email at info@yiyuanswitches.com | | |



深圳市怡远科技有限公司
SHENZHEN YIYUAN TECHNOLOGY CO., LTD

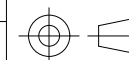
PART NO.
YTS1C019

TITLE:
TACTILE SWITCH 4*6键

APPD: ROGER

DWG NO. :
YTS1C019

CHKD: ROC
DR: BILLY WANG 2020/08/21



| SCALE | SHEET | REV. |
|-------|-------|------|
| 1/1 | 1/1 | A1 |

X-ON Electronics

Largest Supplier of Electrical and Electronic Components

Click to view similar products for [Tactile Switches](#) category:

Click to view products by [YIYUAN](#) manufacturer:

Other Similar products are found below :

[6407-250V-25273P](#) [ADTSA62NV](#) [B3F-3123](#) [1977177-8](#) [1977266-1](#) [ADTSA63NV](#) [ADTSM21NSVTR](#) [ADTSM25RVTR](#) [ADTSM32NVTR](#)
[ADTSMW64RV](#) [1977120-6](#) [FSMRA4JHA04](#) [GS4.70F300QP](#) [KSC241J SP DELTA LFS](#) [3FTL600RAS](#) [3FTL640RAS](#) [6407-250V-25343P](#)
[ADTSM31NVTR](#) [2-1977120-7](#) [TSJW-5.2-260-TR](#) [Y651050400P](#) [KMT011MNGJLHS](#) [70-201.0](#) [ADTSG648NV](#) [ADTSM62KSVTR](#)
[ADTSM648NV](#) [95C06E3RAT](#) [3ATH9Q](#) [FSMRA8JHA04](#) [HARS0073](#) [Y33R411N9FPLFT](#) [Y33R51139FPLFT](#) [Y31C01402FPLFS](#)
[PTS645SK50SMTR92](#) [ADTSM32NVB](#) [KMS233GPWTLFG](#) [Y78B64124FP](#) [Y31CJ244KFP LFS](#) [Y96D113G0FP LFS](#) [Y33A812C5FP LFT](#)
[Y56B2D120FP LFS](#) [Y31C5144KFP LFS](#) [PTS645 DVM83-BN125-2 LFS](#) [B3W 1000G](#) [KSC621G OL LFS](#) [B3F 1002C](#) [B3F 0047H](#) [B3W](#)
[1002C](#) [B3F 5001G](#) [B3W 1100C](#)