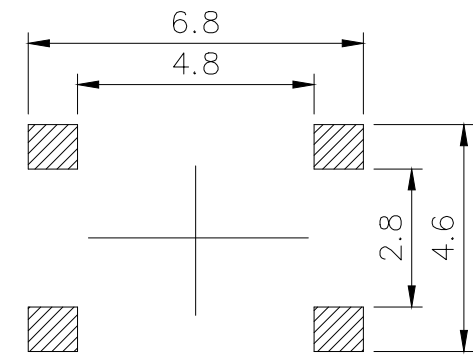


CIRCUIT DIAGRAM



PCB. WELDING DRAWING

Specification

| | |
|-----------------------|---------------------|
| Operating Life | 200,000 |
| Contact rating | 50mA@12V DC. |
| Insulation resistance | 100mΩ min. |
| Contact resistance | 100mΩ max. initial. |
| Dielectric Strength | 250 V AC(1mm) |
| Travel | 0.2±0.15mm |
| Storage Temperature | -30° C to 85° C |

Mechanical

| ITEM | DESCRIPTION | MATERIAL | QTY | FINISH/CO-LOR |
|------|-------------|-----------------|-----|---------------|
| E | Button | Brass | 1 | Pickling |
| D | COVER | Stainless Steel | 1 | Cleaning |
| C | DOME | Stainless Steel | 1 | Plated Ag |
| B | HOUSING | PPA | 1 | Black |
| A | PIN | PHOSPHOR BRONZE | 1 | Plated Ag |

| Type | Operating Force(gf) | Height mm | | Button | Leads Shape (G, J, T) | Ground pin (0, 1) | Pegs Option (0, 1) |
|----------|---------------------|-----------|-----|--------------------------|-----------------------|-------------------|--------------------|
| | | M | L | | | | |
| YTS1H005 | 350±50 | M | 5.0 | M (Brass) P (Plastic) | G | 0 | 0 |
| | | L | 4.5 | | | | |
| | | K | 4.3 | | | | |
| | 250±50 | J | 4.0 | | | | |
| | | H | 3.5 | | | | |
| | 160±50 | G | 3.0 | | | | |
| | | F | 2.5 | | | | |
| | 100±30 | E | 2.3 | | | | |
| | | D | 2.0 | | | | |
| | | C | 1.7 | | | | |
| | | B | 1.6 | | | | |
| | | A | 1.5 | | | | |

| | | | | | | | | | |
|--|------------|-------------|---|-------|-------|------|-----|-----|----|
| X. ±0.50 | X.° ±2° | UNITS mm | 深圳市怡远科技有限公司 SHENZHEN YIYUAN TECHNOLOGY CO., LTD | | | | | | |
| .X ±0.30 | .X° ±1° | | | | | | | | |
| .XX ±0.10 | .XX° ±0.5° | MAT'L | PART NO. YTS1H005 | | | | | | |
| .XXX ±0.05 | | FINISH | TITLE: TACTILE SWITCH 5.2x5.2 | | | | | | |
| THESE DRAWINGS AND SPECIFICATIONS ARE THE PROPERTY OF YIYUAN TECHNOLOGY CO.,LTD AND SHALL NOT BE REPRODUCED, COPIED OR USED IN ANY MANNER WITHOUT THE PRIOR WRITTEN CONSENT OF YIYUAN TECHNOLOGY CO.,LTD Email at info@yiyuanswitches.com | | | APPD: ROGER | | | | | | |
| | | | CHKD: ROC | | | | | | |
| | | | DWG NO. : YTS1H005 | | | | | | |
| | | | DR: BILLY WANG 2020/08/21 | | | | | | |
| | | | <table border="1"> <tr> <td>SCALE</td> <td>SHEET</td> <td>REV.</td> </tr> <tr> <td>1/1</td> <td>1/1</td> <td>A1</td> </tr> </table> | SCALE | SHEET | REV. | 1/1 | 1/1 | A1 |
| SCALE | SHEET | REV. | | | | | | | |
| 1/1 | 1/1 | A1 | | | | | | | |

X-ON Electronics

Largest Supplier of Electrical and Electronic Components

Click to view similar products for [Tactile Switches](#) category:

Click to view products by [YIYUAN](#) manufacturer:

Other Similar products are found below :

[5GTH92001](#) [5GTH9202242](#) [6407-250V-25273P](#) [ADTSA62NV](#) [ADTSA62RV](#) [B3F-3123](#) [1977177-8](#) [1977266-1](#) [ADTSA63NV](#)
[ADTSM21NSVTR](#) [ADTSM25RVTR](#) [ADTSM32NVTR](#) [ADTSMW64RV](#) [FSMRA4JHA04](#) [GS4.70F300QP](#) [KSC241J SP DELTA LFS](#)
[3FTL600RAS](#) [3FTL640RAS](#) [Y96K132V0FPLFS](#) [5GTH9658222](#) [ADTSM31NVTR](#) [2-1977120-7](#) [TSJW-5.2-260-TR](#) [KMT011MNGJLHS](#)
[B3WN6002S](#) [70-201.0](#) [ADTSG648NV](#) [ADTSM62KSVTR](#) [ADTSM648NV](#) [95C06E3RAT](#) [5GTH96561](#) [3ATH9Q](#) [FSMRA8JHA04](#)
[HARS0073](#) [Y33R411N9FPLFT](#) [Y31C01402FPLFS](#) [PTS645SK50SMTR92](#) [ADTSM32NVB](#) [KMS233GPWTLFG](#) [Y78B64124FP](#)
[Y96D113G0FP LFS](#) [Y33A812C5FP LFT](#) [Y56B2D120FP LFS](#) [PTS645 DVM83-BN125-2 LFS](#) [B3W 1000G](#) [KSC621G OL LFS](#) [B3F 1002C](#)
[B3F 0047H](#) [B3F 1000G](#) [B3W 1002C](#)