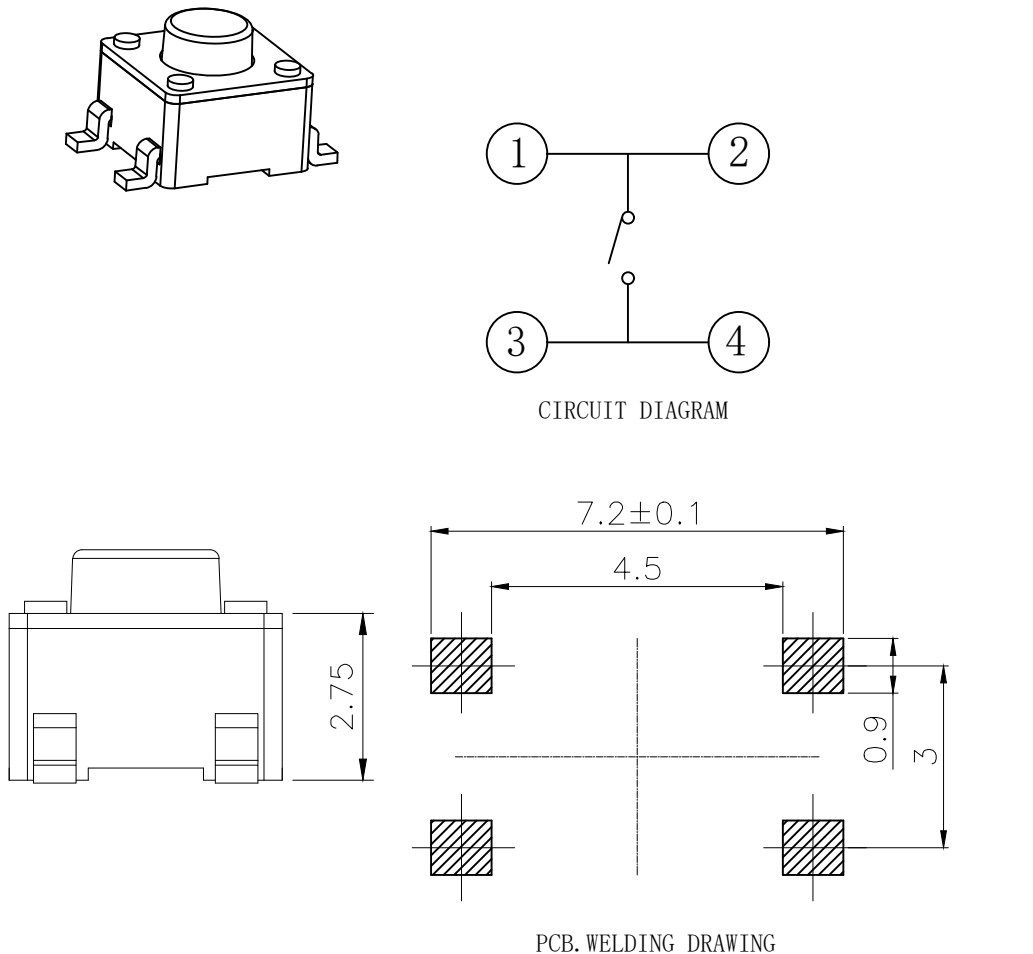
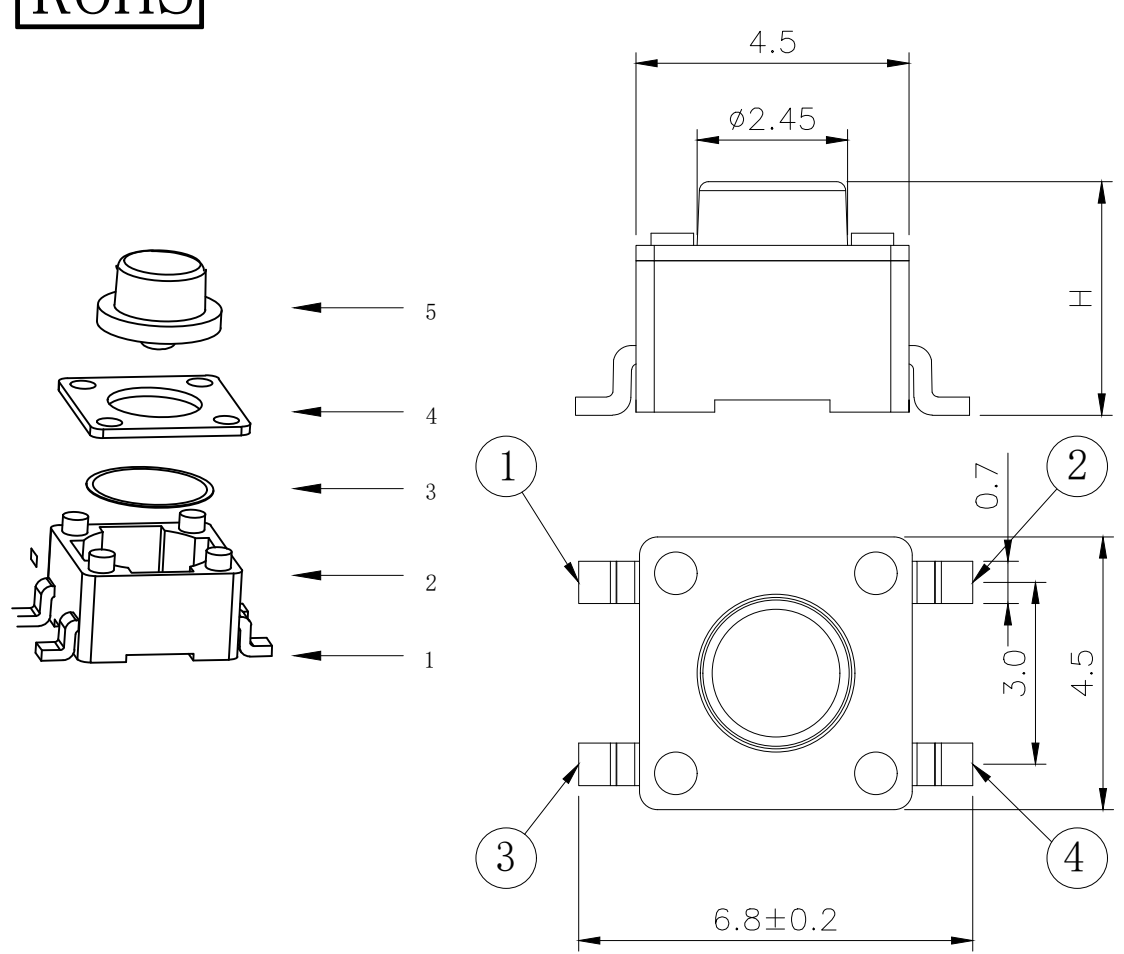


RoHS

CAD GENERATED DRAWING. DON'T CHANGE BY HAND.

| | | |
|------|----------|-------|
| REV. | ECN. NO. | APPD. |
| | | |



Specification

| | |
|-----------------------|---------------------|
| Operating Life | 100,000 |
| Contact rating | 50mA@12V DC. |
| Insulation resistance | 1011Ω min. |
| Contact resistance | 100mΩ max. initial. |
| Dielectric Strength | 250 V AC(1mm) |
| Travel | 0.2±0.15mm |
| Storage Temperature | - 30° C to 85° C |

Mechanical

| Type | Operating Force (gf) | Height mm | Button | Leads Shape (G, J, T) | Ground pin (0, 1) | Pegs Option (0, 1) | |
|----------|----------------------|-----------|-----------|-----------------------|-------------------|--------------------|-----|
| YTS1H015 | 250±50 | ** | B (BLACK) | G | 0 | 0 (None) | |
| | | P | | | | | 9.5 |
| | | N | | | | | 9.0 |
| | | M | | | | | 8.0 |
| | | J | | | | | 6.5 |
| | | K | | | | | 7.0 |
| | | L | | | | | 7.5 |
| | | H | | | | | 6.0 |
| | | G | | | | | 5.5 |
| | | F | | | | | 5.0 |
| | | E | | | | | 4.8 |
| | | D | | | | | 4.5 |
| YTS1H015 | 160±50 | ** | B (BLACK) | G | 0 | 0 (None) | |
| | | A | | | | | 3.5 |
| | | B | | | | | 3.8 |
| | | C | | | | | 4.3 |
| | | D | | | | | 4.5 |
| | | E | | | | | 4.8 |
| | | F | | | | | 5.0 |
| | | G | | | | | 5.5 |
| | | H | | | | | 6.0 |
| | | J | | | | | 6.5 |
| | | K | | | | | 7.0 |
| | | L | | | | | 7.5 |
| M | 8.0 | | | | | | |
| N | 9.0 | | | | | | |
| P | 9.5 | | | | | | |

| ITEM | DESCRIPTION | MATERIAL | QTY | FINISH/COLOR |
|------|-------------|-----------------|-----|--------------|
| E | Button | PPA | 1 | Black |
| D | COVER | Brass | 1 | Cleaning |
| C | DOME | Stainless Steel | 1 | Plated Ag |
| B | HOUSING | PPA | 1 | Black |
| A | PIN | PHOSPHOR BRONZE | 1 | Plated Ag |

| | | |
|--|------------|-------------|
| X. ±0.50 | X.° ±2° | UNITS mm |
| .X ±0.30 | .X° ±1° | |
| .XX ±0.10 | .XX° ±0.5° | MAT'L |
| .XXX ±0.05 | | FINISH |
| THESE DRAWINGS AND SPECIFICATIONS ARE THE PROPERTY OF YIYUAN TECHNOLOGY CO.,LTD AND SHALL NOT BE REPRODUCED, COPIED OR USED IN ANY MANNER WITHOUT THE PRIOR WRITTEN CONSENT OF YIYUAN TECHNOLOGY CO.,LTD | | Q'TY |

yiYUAN 深圳市怡远科技有限公司
SHENZHEN YIYUAN TECHNOLOGY CO., LTD

PART NO. **YTS1H015** TITLE: **TACTILE SWITCH**

APPD: ROGER DWG NO.: **YTS1H015**

CHKD: ROC

DR: BILLY WANG 2020/08/21

SCALE: 1/1 SHEET: 1/1 REV.: A1

Packaging:
Reel of 2,000 pieces for 3.5~4.8H.
Reel of 1,500 pieces for 5.0~5.5H.
Reel of 1,000 pieces for 6.0~9.5H.

X-ON Electronics

Largest Supplier of Electrical and Electronic Components

Click to view similar products for [Tactile Switches](#) category:

Click to view products by [YIYUAN](#) manufacturer:

Other Similar products are found below :

[5GTH92001](#) [5GTH9202242](#) [ADTSA62NV](#) [ADTSA62RV](#) [B3F-3123](#) [1977177-8](#) [1977266-1](#) [ADTSA63NV](#) [ADTSM21NSVTR](#)
[ADTSM25RVTR](#) [ADTSM32NVTR](#) [ADTSMW64RV](#) [FSMRA4JHA04](#) [GS4.70F300QP](#) [3ESH9R](#) [KSC241J](#) [SP DELTA LFS](#) [3FTL600RAS](#)
[3FTL640RAS](#) [Y96K132V0FPLFS](#) [5GSH92001](#) [5GTH9658222](#) [ADTSM31NVTR](#) [2-1977120-7](#) [TSJW-5.2-260-TR](#) [KMT011MNGJLHS](#)
[ADTSG648NV](#) [ADTSM62KSVTR](#) [ADTSM648NV](#) [95C06E3RAT](#) [3ATH9Q](#) [FSM4JSMLXTR](#) [FSM4JSMXL](#) [FSMRA8JHA04](#) [HARS0073](#)
[Y97HS12A5RAFP](#) [Y97BT23B2HAFP](#) [Y33R411N9FPLFT](#) [Y31C01402FPLFS](#) [PTS645SK50SMTR92](#) [ADTSM32NVB](#) [KMS233GPWTLFG](#)
[Y78B42324FP](#) [Y33R21116FPLFT](#) [Y31B43131FPLFG](#) [Y78B64124FP](#) [Y71243251FP](#) [Y33R31119FPLFT](#) [Y97HS12A5TAFP](#)
[PTS638SK25SMTR2LFS](#) [Y97LT25BADBFP](#)