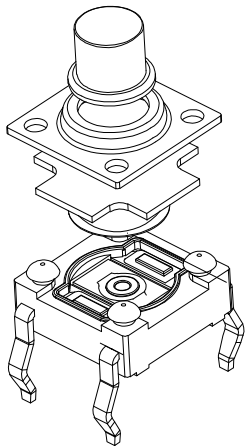


RoHS

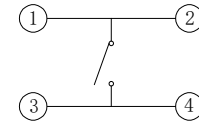
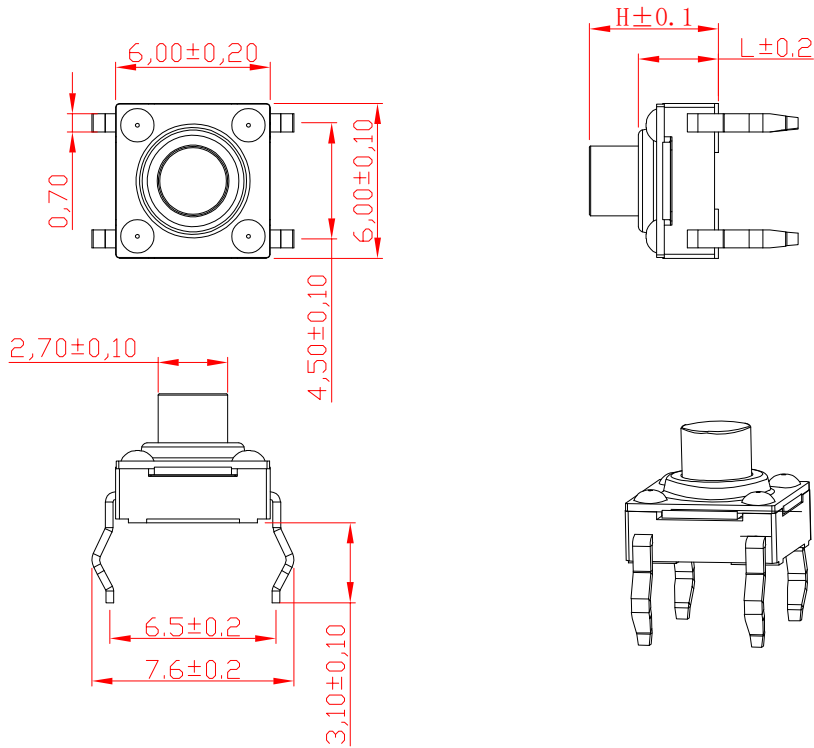


CAD GENERATED DRAWING. DON'T CHANGE BY HAND.

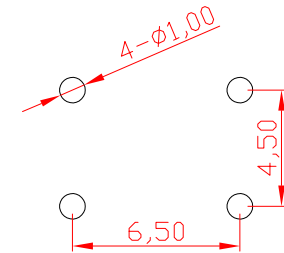
REV.	ECN. NO.	APPD.



H	L
3.3	2.80
4.3	3.15
4.5	3.15
5.0	3.15
7.0	3.15



CIRCUIT DIAGRAM



PCB. WELDING DRAWING

Specification

Operating Life	100,000
Contact rating	50mA@12V DC.
Insulation resistance	≥100MΩ
Contact resistance	≤50mΩ
Dielectric Strength	250 V 50HZ(1mm)
Travel	0.3±0.1mm
Storage Temperature	-30° C to 80° C

Packaging:
1,000 pieces Bulks.

Mechanical

E	STEM	LCP	1	Maize	Type	Operatin g Force(gf)	Heiht mm	Butto n	Leads Shape (G,J,T)	Group of pin (0,1)	Pegs Dp (0,1)
D	COVER	Phosphor copper	1	Silver	YTSK013	2(280±50) 1(180±50)	G	7.0	R (Red) W (White)	T	0 (None)
C	DDME	Stainless Steel	1	Plated Ag			F	6.5			
B	HOUSING	PPA	1	Black			E	7.0			
A	PIN	Brass	1	Plated Ag			D	5.0			
							C	4.5			
							B	4.3			
ITEM	DESCRIPTIO N	MATERIAL	QTY	FINISH/CD LDR			A	3.3			

X.	±0.50	X.°	± 2°	UNITS mm
.X	±0.30	.X°	± 1°	
.XX	±0.10	.XX°	± 0.5°	
.XXX	± 0.05			MAT'L
THESE DRAWINGS AND SPECIFICATIONS ARE THE PROPERTY OF YIYUAN TECHNOLOGY CO.,LTD AND SHALL NOT BE REPRODUCED, COPIED OR USED IN ANY MANNER WITHOUT THE PRIOR WRITTEN CONSENT OF YIYUAN TECHNOLOGY CO.,LTD				FINISH
				Q'TY



深圳市怡远科技有限公司
SHENZHEN YIYUAN TECHNOLOGY CO.,LTD

PART NO. YTS1K013	TITLE: TACTILE SWITCH 6x6 WATERPROOF
APPD: ROGER	DWG NO.: YTS1K013
CHKD: RDC	
DR: BILLY WANG 2020/08/21	SCALE SHEET REV. 1/1 1/1 A1

X-ON Electronics

Largest Supplier of Electrical and Electronic Components

Click to view similar products for [Tactile Switches](#) category:

Click to view products by [YIYUAN](#) manufacturer:

Other Similar products are found below :

[5GTH92001](#) [5GTH9202242](#) [ADTSA62NV](#) [ADTSA62RV](#) [B3F-3123](#) [1977177-8](#) [1977266-1](#) [ADTSA63NV](#) [ADTSM21NSVTR](#)
[ADTSM25RVTR](#) [ADTSM32NVTR](#) [ADTSMW64RV](#) [FSMRA4JHA04](#) [GS4.70F300QP](#) [3ESH9R](#) [KSC241J](#) [SP DELTA LFS](#) [3FTL600RAS](#)
[3FTL640RAS](#) [Y96K132V0FPLFS](#) [5GSH92001](#) [5GTH9658222](#) [ADTSM31NVTR](#) [2-1977120-7](#) [TSJW-5.2-260-TR](#) [KMT011MNGJLHS](#)
[ADTSG648NV](#) [ADTSM62KSVTR](#) [ADTSM648NV](#) [95C06E3RAT](#) [3ATH9Q](#) [FSM4JSMLXTR](#) [FSM4JSMXL](#) [FSMRA8JHA04](#) [HARS0073](#)
[Y97HS12A5RAFP](#) [Y97BT23B2HAFP](#) [Y33R411N9FPLFT](#) [Y31C01402FPLFS](#) [PTS645SK50SMTR92](#) [ADTSM32NVB](#) [KMS233GPWTLFG](#)
[Y78B42324FP](#) [Y33R21116FPLFT](#) [Y31B43131FPLFG](#) [Y78B64124FP](#) [Y71243251FP](#) [Y33R31119FPLFT](#) [Y97HS12A5TAFP](#)
[PTS638SK25SMTR2LFS](#) [Y97LT25BADBFP](#)