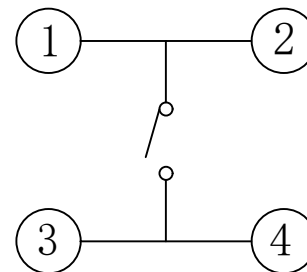
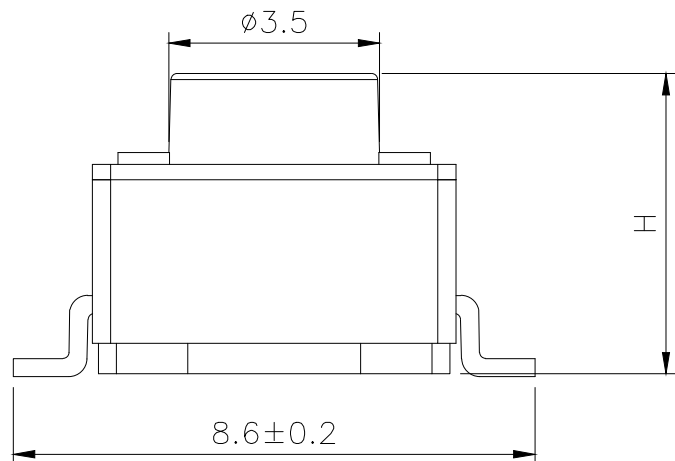
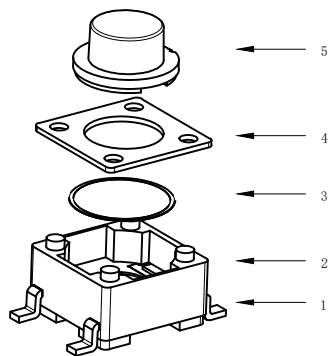


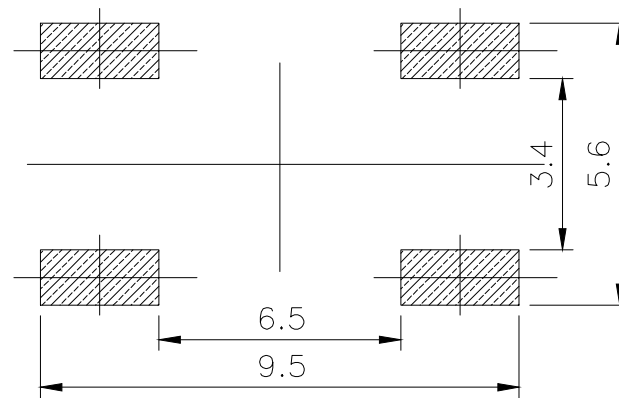
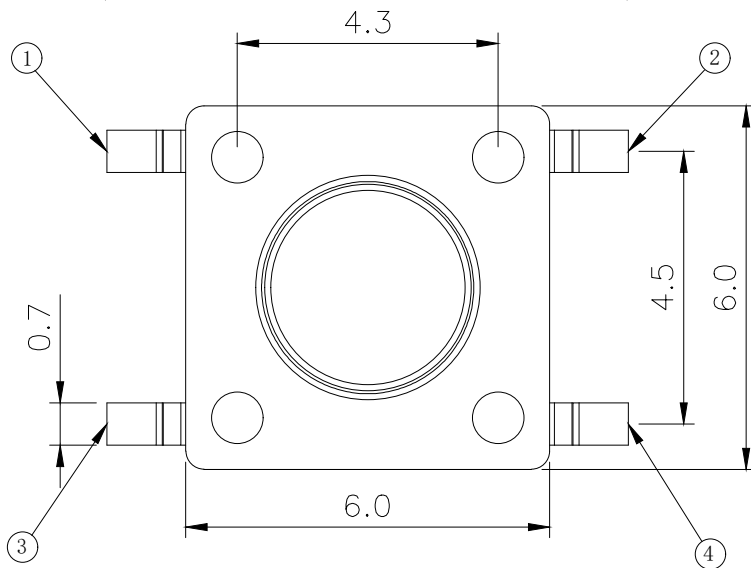
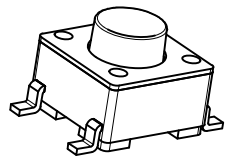
RoHS

CAD GENERATED DRAWING. DON'T CHANGE BY HAND.

REV.	ECN. NO.	APPD.



CIRCUIT DIAGRAM



PCB. WELDING DRAWING

Specification

Operating Life	100,000
Contact rating	50mA@12V DC.
Insulation resistance	1011 Ω min.
Contact resistance	100m Ω max. initial.
Dielectric Strength	250 V AC(1mm)
Travel	0.2 \pm 0.1mm
Storage Temperature	-30 $^{\circ}$ C to 85 $^{\circ}$ C

Mechanical

ITEM	DESCRIPTION	MATERIAL	QTY	FINISH/COLOR
E	Button	PPA	1	Black
D	COVER	Brass	1	Cleaning
C	DOME	Stainless Steel	1	Plated Ag
B	HOUSING	PPA	1	Black
A	PIN	PHOSPHOR BRONZE	1	Plated Ag

Type	Operatin g Force (gf)	Heiht mm	Button	Leads Shape (G, J, T)	Ground pin (0, 1)	Pegs Option (0, 1)	
YTS1R003	2	250 \pm 50	Q	15.0	B (BLACK)	G	0 (None)
			P	13.0			
			O	12.0			
			N	11.0			
			M	10.0			
			L	9.0			
			K	8.5			
			J	8.0			
			H	7.5			
			G	7.0			
			F	6.5			
YTS1R003	1	160 \pm 50	E	6.0	B (BLACK)	G	0 (None)
			D	5.5			
			C	5.0			
			B	4.5			
			A	4.3			

X.	± 0.50	X. $^{\circ}$	$\pm 2^{\circ}$
.X	± 0.30	.X $^{\circ}$	$\pm 1^{\circ}$
.XX	± 0.10	.XX $^{\circ}$	$\pm 0.5^{\circ}$
.XXX	± 0.05		

UNITS	mm
MAT'L	/
FINISH	/
Q' TY	/

yiYUAN	PART NO. YTS1R003
APPD: ROGER	CHKD: ROC
DR: BILLY WANG 2020/08/21	

深圳市怡远科技有限公司 SHENZHEN YIYUAN TECHNOLOGY CO., LTD	
TITLE: TACTILE SWITCH	
DWG NO. : YTS1R003	
SCALE	SHEET
1/1	1/1
REV.	A1

Packaging:
 A reel of 1000 pieces for 4.3~6.5H
 A reel of 800 pieces for 7.0~7.5H
 A reel of 700 pieces for 8.0~9.0H
 A reel of 500 pieces for 9.5~15.0H

THESE DRAWINGS AND SPECIFICATIONS ARE THE PROPERTY OF YIYUAN TECHNOLOGY CO.,LTD AND SHALL NOT BE REPRODUCED, COPIED OR USED IN ANY MANNER WITHOUT THE PRIOR WRITTEN CONSENT OF YIYUAN TECHNOLOGY CO.,LTD

X-ON Electronics

Largest Supplier of Electrical and Electronic Components

Click to view similar products for [Tactile Switches](#) category:

Click to view products by [YIYUAN](#) manufacturer:

Other Similar products are found below :

[5GTH92001](#) [5GTH9202242](#) [ADTSA62NV](#) [ADTSA62RV](#) [B3F-3123](#) [1977177-8](#) [1977266-1](#) [ADTSA63NV](#) [ADTSM21NSVTR](#)
[ADTSM25RVTR](#) [ADTSM32NVTR](#) [ADTSMW64RV](#) [FSMRA4JHA04](#) [GS4.70F300QP](#) [3ESH9R](#) [KSC241J SP DELTA LFS](#) [3FTL600RAS](#)
[3FTL640RAS](#) [Y96K132V0FPLFS](#) [5GSH92001](#) [5GTH9658222](#) [ADTSM31NVTR](#) [2-1977120-7](#) [TSJW-5.2-260-TR](#) [KMT011MNGJLHS](#)
[ADTSG648NV](#) [ADTSM62KSVTR](#) [ADTSM648NV](#) [95C06E3RAT](#) [3ATH9Q](#) [FSM4JSMLXTR](#) [FSM4JSMXL](#) [FSMRA8JHA04](#) [HARS0073](#)
[Y97HS12A5RAFP](#) [Y97BT23B2HAFP](#) [Y33R411N9FPLFT](#) [Y31C01402FPLFS](#) [PTS645SK50SMTR92](#) [ADTSM32NVB](#) [KMS233GPWTLFG](#)
[Y78B42324FP](#) [Y33R21116FPLFT](#) [Y31B43131FPLFG](#) [Y78B64124FP](#) [Y71243251FP](#) [Y33R31119FPLFT](#) [Y97HS12A5TAFP](#)
[PTS638SK25SMTR2LFS](#) [Y97LT25BADBFP](#)