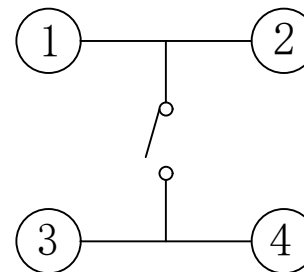
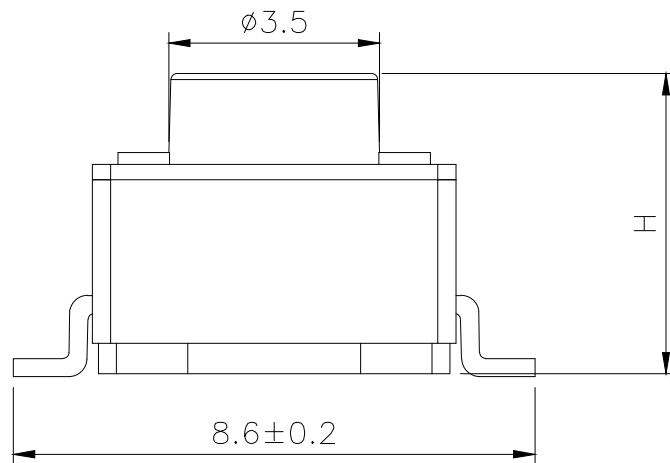
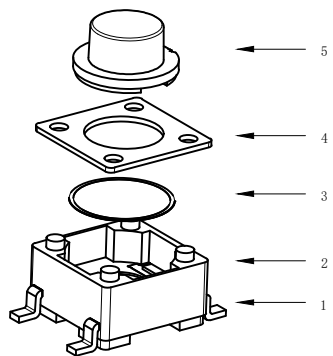


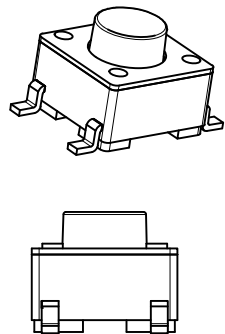
# RoHS

CAD GENERATED DRAWING. DON'T CHANGE BY HAND.

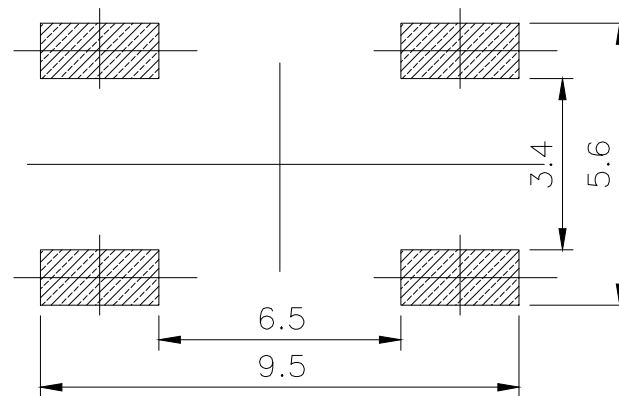
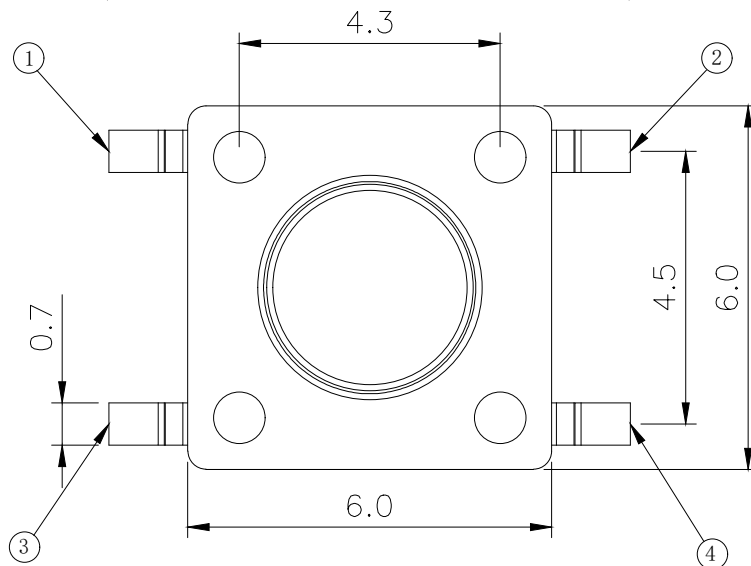
REV.	ECN. NO.	APPD.



CIRCUIT DIAGRAM



Specification



PCB. WELDING DRAWING

Packaging:  
 A reel of 1000 pieces for 4.3~6.5H  
 A reel of 800 pieces for 7.0~7.5H  
 A reel of 700 pieces for 8.0~9.0H  
 A reel of 500 pieces for 9.5~15.0H

Operating Life	100,000
Contact rating	50mA@12V DC.
Insulation resistance	1011 $\Omega$ min.
Contact resistance	100m $\Omega$ max. initial.
Dielectric Strength	250 V AC(1mm)
Travel	0.2 $\pm$ 0.1mm
Storage Temperature	-30 $^{\circ}$ C to 85 $^{\circ}$ C

### Mechanical

ITEM	DESCRIPTION	MATERIAL	QTY	FINISH/COLOR
E	Button	PPA	1	Black
D	COVER	Brass	1	Cleaning
C	DOME	Stainless Steel	1	Plated Ag
B	HOUSING	PPA	1	Black
A	PIN	PHOSPHOR BRONZE	1	Plated Ag

Type	Operatin g Force (gf)	Heiht mm	Button	Leads Shape (G, J, T)	Ground pin (G, I)	Pegs Option (G, I)	
YTS1R003	2	250 $\pm$ 50	Q	15.0	B (BLACK)	G	0 (None)
			P	13.0			
			O	12.0			
			N	11.0			
			M	10.0			
			L	9.0			
			K	8.5			
			J	8.0			
			H	7.5			
			G	7.0			
			F	6.5			
YTS1R003	1	160 $\pm$ 50	E	6.0	B (BLACK)	G	0 (None)
			D	5.5			
			C	5.0			
			B	4.5			
			A	4.3			

X.	$\pm 0.50$	X. $^{\circ}$	$\pm 2^{\circ}$
.X	$\pm 0.30$	.X $^{\circ}$	$\pm 1^{\circ}$
.XX	$\pm 0.10$	.XX $^{\circ}$	$\pm 0.5^{\circ}$
.XXX	$\pm 0.05$		

UNITS	mm
MAT'L	/
FINISH	/
Q'TY	/



深圳市怡远科技有限公司  
 SHENZHEN YIYUAN TECHNOLOGY CO., LTD

PART NO.	YTS1R003
APPD:	ROGER
CHKD:	ROC
DR:	BILLY WANG 2020/08/21

TITLE:	TACTILE SWITCH
DWG NO.:	YTS1R003
SCALE	1/1
SHEET	1/1
REV.	A1

## X-ON Electronics

Largest Supplier of Electrical and Electronic Components

*Click to view similar products for [Tactile Switches](#) category:*

*Click to view products by [YIYUAN](#) manufacturer:*

Other Similar products are found below :

[5GTH92001](#) [5GTH9202242](#) [ADTSA62NV](#) [ADTSA62RV](#) [B3F-3123](#) [1977177-8](#) [1977266-1](#) [ADTSA63NV](#) [ADTSM21NSVTR](#)  
[ADTSM25RVTR](#) [ADTSM32NVTR](#) [ADTSMW64RV](#) [FSMRA4JHA04](#) [GS4.70F300QP](#) [3ESH9R](#) [KSC241J](#) [SP DELTA LFS](#) [3FTL600RAS](#)  
[3FTL640RAS](#) [Y96K132V0FPLFS](#) [5GSH92001](#) [5GTH9658222](#) [ADTSM31NVTR](#) [2-1977120-7](#) [TSJW-5.2-260-TR](#) [KMT011MNGJLHS](#)  
[ADTSG648NV](#) [ADTSM62KSVTR](#) [ADTSM648NV](#) [95C06E3RAT](#) [3ATH9Q](#) [FSM4JSMLXTR](#) [FSM4JSMXL](#) [FSMRA8JHA04](#) [HARS0073](#)  
[Y97HS12A5RAFP](#) [Y97BT23B2HAFP](#) [Y33R411N9FPLFT](#) [Y31C01402FPLFS](#) [PTS645SK50SMTR92](#) [ADTSM32NVB](#) [KMS233GPWTLFG](#)  
[Y78B42324FP](#) [Y33R21116FPLFT](#) [Y31B43131FPLFG](#) [Y78B64124FP](#) [Y71243251FP](#) [Y33R31119FPLFT](#) [Y97HS12A5TAFP](#)  
[PTS638SK25SMTR2LFS](#) [Y97LT25BADBFP](#)