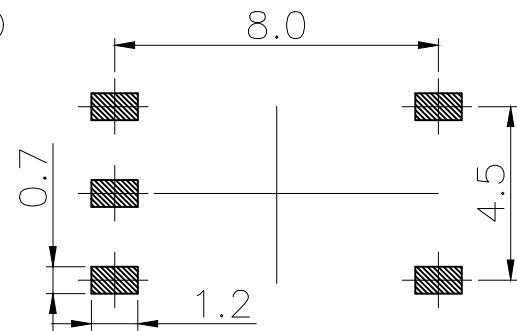
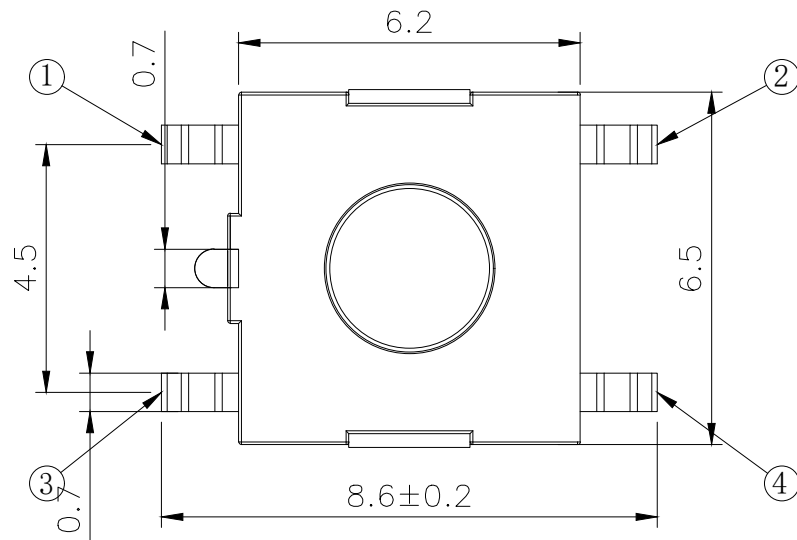
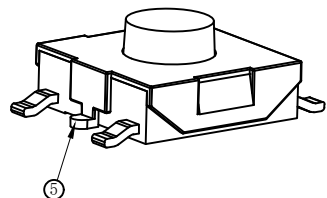


CIRCUIT DIAGRAM



PCB. WELDING DRAWING

### Specification

Operating Life	100,000
Contact rating	50mA@12V DC.
Insulation resistance	1011 $\Omega$ min.
Contact resistance	100m $\Omega$ max. initial.
Dielectric Strength	250 V AC(1mm)
Travel	0.25 $\pm$ 0.15mm
Storage Temperature	- 30° C to 80° C

### Mechanical

ITEM	DESCRIPTION	MATERIAL	QTY	FINISH/COLOR
E	Button	PPA	1	Pickling
D	COVER	Stainless Steel	1	Cleaning
C	HOME	Stainless Steel	1	Plated Ag
B	HOUSING	PPA	1	Black
A	PIN	PHOSPHOR BRONZE	1	Plated Ag

Type	Operatin Force(gf)	Height mm	Button	Leads Shape (6,1,T)	Ground pin (0,1)	Pegs Option (0,1)
YTS1S004	3	F	5.0	B(Black) R(Red)	G	0 (No), 1 (Yes)
		E	4.0			
		D	3.5			
2	250 $\pm$ 50	C	3.1	0 (No), 1 (Yes)	0 (No), 1 (Yes)	
		B	2.5			
1	160 $\pm$ 50	A	2.1	0 (No), 1 (Yes)	0 (No), 1 (Yes)	
A	2.1					

X.	$\pm 0.50$	X.°	$\pm 2^\circ$
.X	$\pm 0.30$	.X°	$\pm 1^\circ$
.XX	$\pm 0.10$	.XX°	$\pm 0.5^\circ$
.XXX	$\pm 0.05$		

THESE DRAWINGS AND SPECIFICATIONS ARE THE PROPERTY OF YIYUAN TECHNOLOGY CO.,LTD AND SHALL NOT BE REPRODUCED OR USED IN ANY MANNER WITHOUT THE PRIOR WRITTEN CONSENT OF YIYUAN TECHNOLOGY CO.,LTD

UNITS	mm
MAT'L	/
FINISH	/
Q'TY	/

	深圳市怡远科技有限公司 SHENZHEN YIYUAN TECHNOLOGY CO.,LTD	
	PART NO. <b>YTS1S004</b>	TITLE: <b>TACTILE SWITCH</b>
APPD: ROGER	DWG NO.: <b>YTS1S004</b>	
CHKD: ROC	SCALE SHEET REV. 1/1 1/1 A1	
DR: BILLY WANG 2020/08/21		

Packaging:  
Reel of 1,500 pieces.

## X-ON Electronics

Largest Supplier of Electrical and Electronic Components

*Click to view similar products for [Tactile Switches](#) category:*

*Click to view products by [YIYUAN](#) manufacturer:*

Other Similar products are found below :

[5GTH92001](#) [5GTH9202242](#) [6407-250V-25273P](#) [ADTSA62NV](#) [ADTSA62RV](#) [B3F-3123](#) [1977177-8](#) [1977266-1](#) [ADTSA63NV](#)  
[ADTSM21NSVTR](#) [ADTSM25RVTR](#) [ADTSM32NVTR](#) [ADTSMW64RV](#) [FSMRA4JHA04](#) [GS4.70F300QP](#) [3ESH9R](#) [KSC241J](#) [SP DELTA](#)  
[LFS](#) [3FTL600RAS](#) [3FTL640RAS](#) [Y96K132V0FPLFS](#) [5GTH9658222](#) [ADTSM31NVTR](#) [2-1977120-7](#) [TSJW-5.2-260-TR](#)  
[KMT011MNGJLHS](#) [70-201.0](#) [ADTSG648NV](#) [ADTSM62KSVTR](#) [ADTSM648NV](#) [95C06E3RAT](#) [5GTH96561](#) [3ATH9Q](#) [FSM4JSMLXTR](#)  
[FSM4JSMXL](#) [FSMRA8JHA04](#) [HARS0073](#) [Y97HS12A5RAFP](#) [Y97BT23B2HAFP](#) [Y33R411N9FPLFT](#) [Y31C01402FPLFS](#)  
[PTS645SK50SMTR92](#) [ADTSM32NVB](#) [KMS233GPWTLFG](#) [Y78B42324FP](#) [Y33R21116FPLFT](#) [Y31B43131FPLFG](#) [Y78B64124FP](#)  
[Y71243251FP](#) [Y33R31119FPLFT](#) [Y97HS12A5TAFP](#)