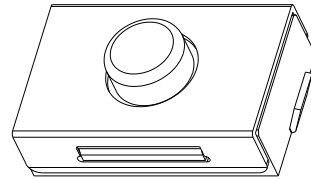
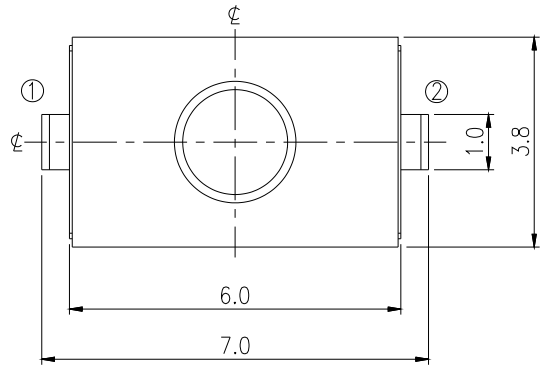


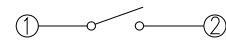
RoHS

CAD GENERATED DRAWING. DON'T CHANGE BY HAND.

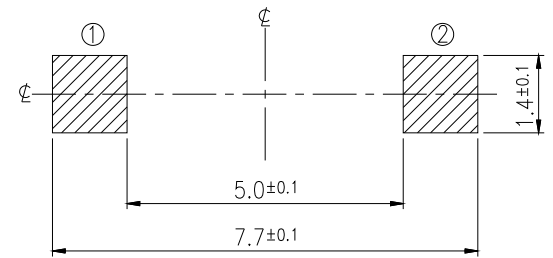
REV.	ECN. NO.	APPD.



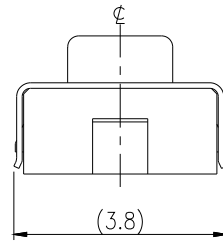
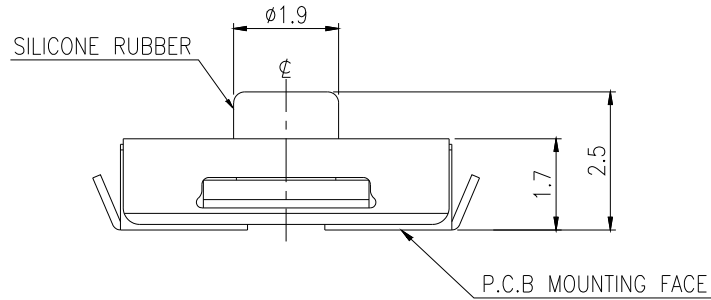
SCHMATIC



P.C.B. LAYOUT



HATCHED AREA SHOWS SOLDERING LAND



Operating Life	100,000	6	TAPE	1	POLYIMIDE	
Contact rating	50mA@32V DC.	5	CONTACT PLATE	1	STAINLESS STEE PLATE	Ag PLATING
D Insulation resistance	DC100V-1000M Ω MIN	4	TERMINAL	2	COPPER ALLOY	Ag PLATING OVER NI PLATING
Contact resistance	100m Ω max. initial.	3	FRAME	1	POLYAMIDE RESIN	BLACK COLOR
Dielectric Strength	250 V AC(1mm)	2	STEM	1	SIUCON RUBBER	260: NATURAL
Travel	0.35±0.1mm	1	COVER	1	STAINLESS STEE PLATE	
Waterproof Grade	IP67	NO.	PART NAME	QTY	MATERIAL	SPECIFICAT ION

MODEL NO.	OPERATING FORCE	STROKE
YTS2193GU	300±75gf	0.35±0.15

X. ±0.50	X.° ± 2°	UNITS mm	深圳市怡远科技有限公司 SHENZHEN YIYUAN TECHNOLOGY CO.,LTD
.X ±0.30	.X° ± 1°		
.XX ±0.10	.XX° ± 0.5°	MAT'L	PART NO. YTS2193GU
.XXX ± 0.05		FINISH	TITLE: TACTILE SWITCH
THESE DRAWINGS AND SPECIFICATIONS ARE THE PROPERTY OF YIYUAN TECHNOLOGY CO.,LTD AND SHALL NOT BE REPRODUCED, COPIED OR USED IN ANY MANNER WITHOUT THE PRIOR WRITTEN CONSENT OF YIYUAN TECHNOLOGY CO.,LTD			APPD: ROGER
			DWG NO.: YTS2193GU
			CHKD: ROC
			DR: BILLY WANG 2020/08/21
			SCALE SHEET REV. 1/1 1/1 A1

X-ON Electronics

Largest Supplier of Electrical and Electronic Components

Click to view similar products for [Tactile Switches](#) category:

Click to view products by [YIYUAN](#) manufacturer:

Other Similar products are found below :

[6407-250V-25273P](#) [ADTSA62NV](#) [B3F-3123](#) [1977177-8](#) [1977266-1](#) [ADTSA63NV](#) [ADTSM21NSVTR](#) [ADTSM25RVTR](#) [ADTSM32NVTR](#)
[ADTSMW64RV](#) [1977120-6](#) [FSMRA4JHA04](#) [GS4.70F300QP](#) [KSC241J SP DELTA LFS](#) [3FTL600RAS](#) [3FTL640RAS](#) [6407-250V-25343P](#)
[ADTSM31NVTR](#) [2-1977120-7](#) [TSJW-5.2-260-TR](#) [Y651050400P](#) [KMT011MNGJLHS](#) [70-201.0](#) [ADTSG648NV](#) [ADTSM62KSVTR](#)
[ADTSM648NV](#) [95C06E3RAT](#) [3ATH9Q](#) [FSMRA8JHA04](#) [HARS0073](#) [Y33R411N9FPLFT](#) [Y33R51139FPLFT](#) [Y31C01402FPLFS](#)
[PTS645SK50SMTR92](#) [ADTSM32NVB](#) [KMS233GPWTLFG](#) [Y78B64124FP](#) [Y31CJ244KFP LFS](#) [Y96D113G0FP LFS](#) [Y33A812C5FP LFT](#)
[Y56B2D120FP LFS](#) [Y31C5144KFP LFS](#) [PTS645 DVM83-BN125-2 LFS](#) [B3W 1000G](#) [KSC621G OL LFS](#) [B3F 1002C](#) [B3F 0047H](#) [B3W](#)
[1002C](#) [B3F 5001G](#) [B3W 1100C](#)