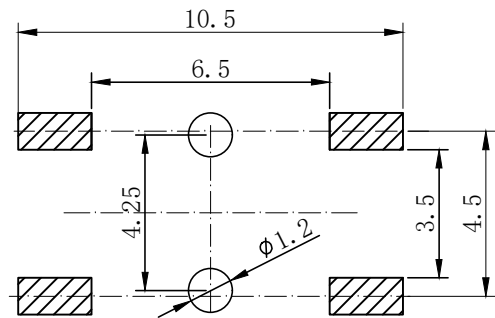
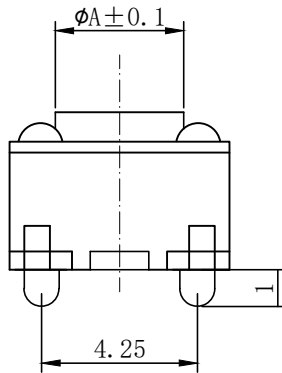
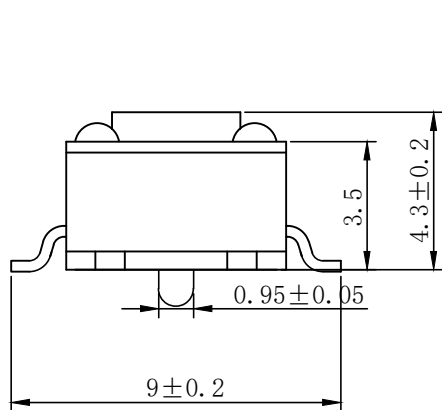
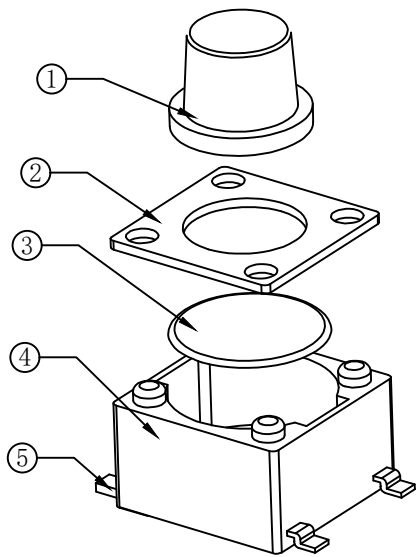


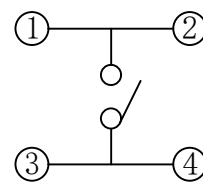
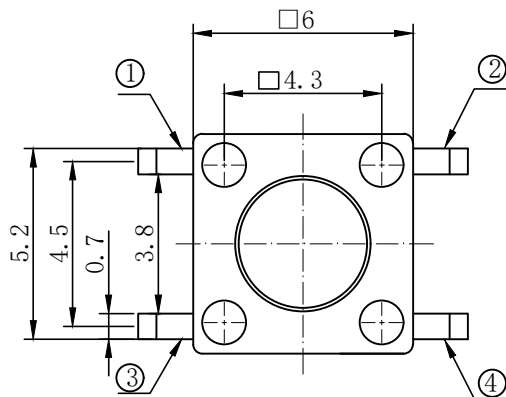
RoHS

CAD GENERATED DRAWING. DON'T CHANGE BY HAND.

REV.	ECN. NO.	APPD.



PCB线路板安装图(±0.1)



PCB. WELDING DRAWING

A	H(高度)
φ3.5	4.3
φ3.5	5.0
φ3.3	6.0
φ3.3	7.0
φ3.3	8.0
φ3.2	8.5
φ3.0	13.0

Specification

Operating Life	100,000
Contact rating	50mA@12V DC.
Insulation resistance	100MΩ min.
Contact resistance	100MΩ max. initial.
Dielectric Strength	250 V AC(1mm)
Travel	0.35±0.2mm
Storage Temperature	- 25° C to 85° C

Mechanical

ITEM	DESCRIPTION	MATERIAL	QTY	FINISH/COLOR
E	insert	Hr2Y brass T = 0.30	1	Ag
D	base	PPA	1	black
C	reed	Stainless steel	1	Ag
B	COVER	Copper cover	1	Cu/Sn
A	button	PPA	1	black

Type	Operating Force(gf)	Height mm	Button	Leads Shape(G, J, T)	Ground pin (0, 1)	Pegs Option(0, 1)
YTS2R004	1: 160±50GF 2: 250±50GF	G: 13.0 F: 8.5 E: 8.0 D: 7.0 C: 6.0 B: 5.0 A: 4.3	B (black)	G	0	1

UNIT	mm
.X	± 0.50
.X°	± 2°
.XX	± 0.30
.XX°	± 1°
.XXX	± 0.05
.XXX°	± 0.5°

深圳市怡远科技有限公司
SHENZHEN YIYUAN TECHNOLOGY CO.,LTD

PART NO. YTS2R004

APPD: ROGER

CHKD: ROC

DR: BILLY WANG 2020/08/21

TITLE: TACTILE SWITCH 6x6 脚踏

DWG NO.: YTS2R004

SCALE: 1/1

SHEET: 1/1

REV: A1

THESE DRAWINGS AND SPECIFICATIONS ARE THE PROPERTY OF YIYUAN TECHNOLOGY CO.,LTD AND SHALL NOT BE REPRODUCED, COPIED OR USED IN ANY MANNER WITHOUT THE PRIOR WRITTEN CONSENT OF YIYUAN TECHNOLOGY CO.,LTD
Email at info@yiyuanswitches.com

X-ON Electronics

Largest Supplier of Electrical and Electronic Components

Click to view similar products for [Tactile Switches](#) category:

Click to view products by [YIYUAN](#) manufacturer:

Other Similar products are found below :

[6407-250V-25273P](#) [ADTSA62NV](#) [B3F-3123](#) [1977177-8](#) [1977266-1](#) [ADTSA63NV](#) [ADTSM21NSVTR](#) [ADTSM25RVTR](#) [ADTSM32NVTR](#)
[ADTSMW64RV](#) [1977120-6](#) [FSMRA4JHA04](#) [GS4.70F300QP](#) [KSC241J SP DELTA LFS](#) [3FTL600RAS](#) [3FTL640RAS](#) [6407-250V-25343P](#)
[ADTSM31NVTR](#) [2-1977120-7](#) [TSJW-5.2-260-TR](#) [Y651050400P](#) [KMT011MNGJLHS](#) [70-201.0](#) [ADTSG648NV](#) [ADTSM62KSVTR](#)
[ADTSM648NV](#) [95C06E3RAT](#) [3ATH9Q](#) [FSMRA8JHA04](#) [HARS0073](#) [Y33R411N9FPLFT](#) [Y33R51139FPLFT](#) [Y31C01402FPLFS](#)
[PTS645SK50SMTR92](#) [ADTSM32NVB](#) [KMS233GPWTLFG](#) [Y78B64124FP](#) [Y31CJ244KFP LFS](#) [Y96D113G0FP LFS](#) [Y33A812C5FP LFT](#)
[Y56B2D120FP LFS](#) [Y31C5144KFP LFS](#) [PTS645 DVM83-BN125-2 LFS](#) [B3W 1000G](#) [KSC621G OL LFS](#) [B3F 1002C](#) [B3F 0047H](#) [B3W](#)
[1002C](#) [B3F 5001G](#) [B3W 1100C](#)