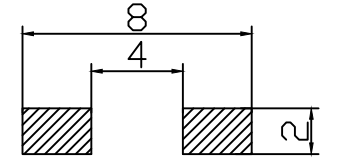
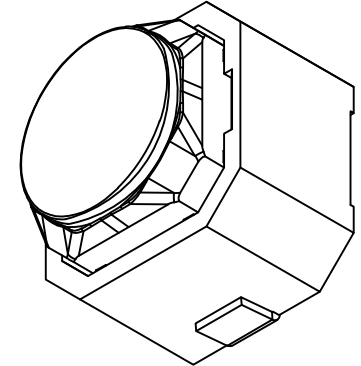
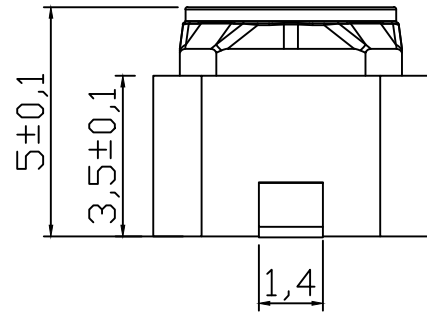
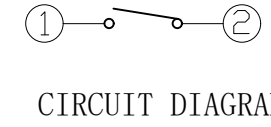
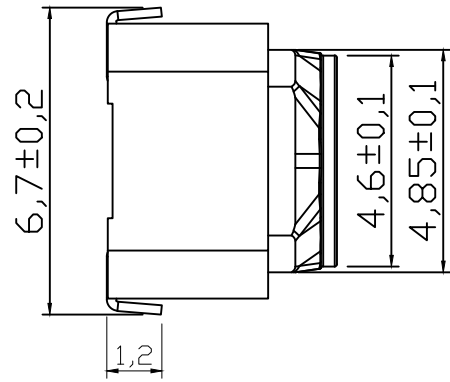
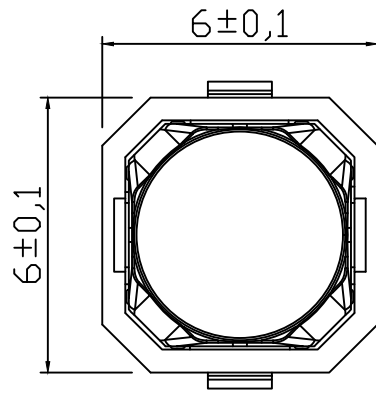
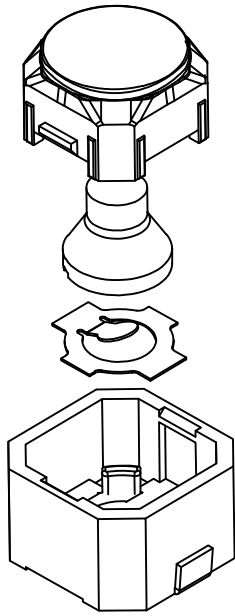


RoHS

CAD GENERATED DRAWING. DON'T CHANGE BY HAND.

REV.	ECN. NO.	APPD.



Specification

Operating Life	100,000
Contact rating	50mA@12V DC.
Insulation resistance	≥100MΩ
Contact resistance	≤100mΩ
Dielectric Strength	250 V AC(1mm)
Travel	1.2±0.4mm
Storage Temperature	-25° C to 85° C

E	Pin, contact	brass	1	Silver plated & gold plated
D	base	LCP	1	resistance of 260°C
C	reed	Phosphorous copper & stainless steel	1	Silver plated & gold plated
B	In the seed	silicone	1	resistance of 260°C
A	button	LCP	1	resistance of 260°C
ITEM	DESCRIPTION	MATERIAL	QTY	FINISH / COLOR

Mechanical

Type	Operating Force(gf)	Height mm	Button	Leads Shape (G,J,T)	Ground pin (0,1)	Pegs (0,1)
YTS2S006	1: 160±30 2: 200±50 3: 250±50	A: 4.3 B: 5.0	B (black)	J	0	0

X. ±0.50	X.* ±2°	UNITS mm
.X ±0.30	.X* ±1°	
.XX ±0.10	.XX* ±0.5°	MAT'L
.XXX ±0.05		FINISH
<p>THESE DRAWINGS AND SPECIFICATIONS ARE THE PROPERTY OF YIYUAN TECHNOLOGY CO.,LTD AND SHALL NOT BE REPRODUCED, COPIED OR USED IN ANY MANNER WITHOUT THE PRIOR WRITTEN CONSENT OF YIYUAN TECHNOLOGY CO.,LTD Email at info@yiyuanswitches.com</p>		Q'TY



深圳市怡远科技有限公司  
SHENZHEN YIYUAN TECHNOLOGY CO.,LTD

PART NO.	YTS2S006
APPD:	ROGER
CHKD:	RDC
DR:	BILLY WANG 2020/08/21

TITLE:	TACTILE SWITCH 6x6	
DWG NO.:	YTS2S006	
SCALE	SHEET	REV.
1/1	1/1	A1

## X-ON Electronics

Largest Supplier of Electrical and Electronic Components

*Click to view similar products for [Tactile Switches](#) category:*

*Click to view products by [YIYUAN](#) manufacturer:*

Other Similar products are found below :

[5GTH92001](#) [5GTH9202242](#) [6407-250V-25273P](#) [ADTSA62NV](#) [ADTSA62RV](#) [B3F-3123](#) [1977177-8](#) [1977266-1](#) [ADTSA63NV](#)  
[ADTSM21NSVTR](#) [ADTSM25RVTR](#) [ADTSM32NVTR](#) [ADTSMW64RV](#) [FSMRA4JHA04](#) [GS4.70F300QP](#) [KSC241J SP DELTA LFS](#)  
[3FTL600RAS](#) [3FTL640RAS](#) [Y96K132V0FPLFS](#) [5GTH9658222](#) [ADTSM31NVTR](#) [2-1977120-7](#) [TSJW-5.2-260-TR](#) [KMT011MNGJLHS](#)  
[B3WN6002S](#) [70-201.0](#) [ADTSG648NV](#) [ADTSM62KSVTR](#) [ADTSM648NV](#) [95C06E3RAT](#) [5GTH96561](#) [3ATH9Q](#) [FSMRA8JHA04](#)  
[HARS0073](#) [Y33R411N9FPLFT](#) [Y31C01402FPLFS](#) [PTS645SK50SMTR92](#) [ADTSM32NVB](#) [KMS233GPWTLFG](#) [Y78B64124FP](#)  
[Y96D113G0FP LFS](#) [Y33A812C5FP LFT](#) [Y56B2D120FP LFS](#) [PTS645 DVM83-BN125-2 LFS](#) [B3W 1000G](#) [KSC621G OL LFS](#) [B3F 1002C](#)  
[B3F 0047H](#) [B3F 1000G](#) [B3W 1002C](#)