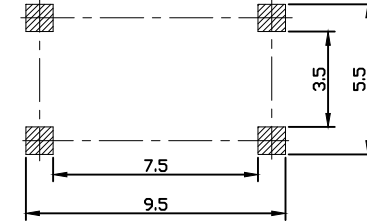
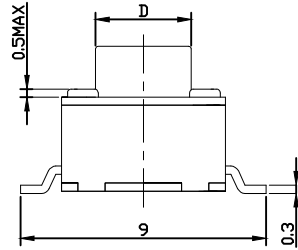
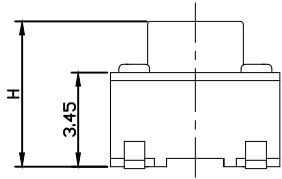


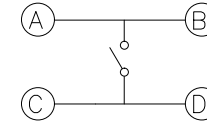
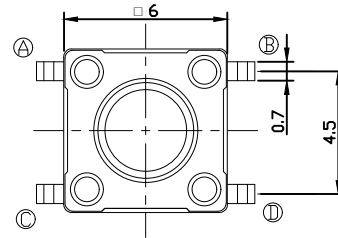
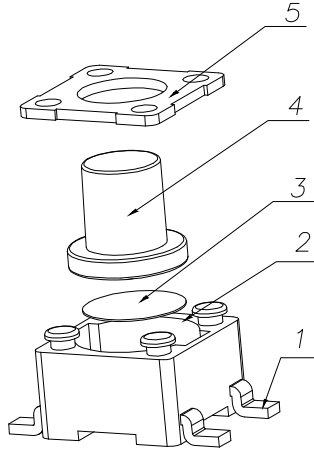
RoHS

CAD GENERATED DRAWING. DON'T CHANGE BY HAND.

REV.	ECN. NO.	APPD.



Schematic



Mechanical

Specification

Operating Life	1,000,000
Contact rating	50mA@12V DC.
Insulation resistance	50 Ω min.
Contact resistance	100mΩ max. initial.
Dielectric Strength	250 V AC(1mm)
Travel	0.25±0.15mm

Type	Operating Force(gf)	Height mm	Button	Leads Shape (G,J,I)	Ground pin (0,1)	Pegs Option (0,1)
YTS3R003***X	R	13.0 (±3.2)	Black	G	0	0
	Q	12.5 (±3.2)				
	P	12.0 (±3.2)				
	D	11.0 (±3.2)				
	N	10.5 (±3.2)				
	M	10.0 (±3.2)				
	L	9.5 (±3.2)				
	K	9.0 (±3.2)				
	J	8.5 (±3.2)				
	I	8.0 (±3.2)				
	H	7.5 (±3.2)				
	G	7.0 (±3.2)				
	F	6.5 (±3.2)				
E	6.0 (±3.3)					
D	5.5 (±3.3)					
C	5.0 (±3.3)					
B	4.5 (±3.3)					
A	4.3 (±3.3)					

ITEM	DESCRIPTION	MATERIAL	QTY	COLOR	FINISH/PLD
E	Cover	brass	1	Silvery white	copper-tin
D	cap	PPA	1	-	-
C	shrapnel	Stainless steel	1	-	Silver plating
B	COVER	PPA	1	Black	-
A	button	brass	1	Silvery white	Silver plating

X. ±0.50	X.* ± 2°	UNITS mm	深圳市怡远科技有限公司 SHENZHEN YIYUAN TECHNOLOGY CO.,LTD	
.X ±0.30	.X* ± 1°			
.XX ±0.10	.XX* ± 0.5°	MAT'L	PART NO. YTS3R003***X	
.XXX ± 0.05			TITLE: TACTILE SWITCH 6x6#	
THESE DRAWINGS AND SPECIFICATIONS ARE THE PROPERTY OF YIYUAN TECHNOLOGY CO.,LTD AND SHALL NOT BE REPRODUCED, COPIED OR USED IN ANY MANNER WITHOUT THE PRIOR WRITTEN CONSENT OF YIYUAN TECHNOLOGY CO.,LTD		FINISH /	APPD: RDRGR	DWG NO.: YTS3R003***X
			CHKD: RDC	
			DR: BILLY WANG 2020/08/21	
			SCALE SHEET REV. 1/1 1/1 A1	

X-ON Electronics

Largest Supplier of Electrical and Electronic Components

Click to view similar products for [Tactile Switches](#) category:

Click to view products by [YIYUAN](#) manufacturer:

Other Similar products are found below :

[6407-250V-25273P](#) [ADTSA62NV](#) [B3F-3123](#) [1977177-8](#) [1977266-1](#) [ADTSA63NV](#) [ADTSM21NSVTR](#) [ADTSM25RVTR](#) [ADTSM32NVTR](#)
[ADTSMW64RV](#) [1977120-6](#) [FSMRA4JHA04](#) [GS4.70F300QP](#) [KSC241J SP DELTA LFS](#) [3FTL600RAS](#) [3FTL640RAS](#) [Y96K132V0FPLFS](#)
[09158](#) [6407-250V-25343P](#) [ADTSM31NVTR](#) [2-1977120-7](#) [TSJW-5.2-260-TR](#) [TME1-01-Z](#) [Y651050400P](#) [KMT011MNGJLHS](#) [70-201.0](#)
[ADTSG648NV](#) [ADTSM62KSVTR](#) [ADTSM648NV](#) [95C06E3RAT](#) [3ATH9Q](#) [FSMRA8JHA04](#) [HARS0073](#) [Y33R411N9FPLFT](#)
[Y33R51139FPLFT](#) [Y31C01402FPLFS](#) [PTS645SK50SMTR92](#) [ADTSM32NVB](#) [KMS233GPWTLFG](#) [Y78B64124FP](#) [Y33A812C5FP LFT](#)
[Y56B2D120FP LFS](#) [PTS645 DVM83-BN125-2 LFS](#) [B3W 1000G](#) [B3F 1002C](#) [B3F 0047H](#) [B3W 1002C](#) [B3F 5001G](#) [B3W 1100C](#) [1-](#)
[1571563-4](#)