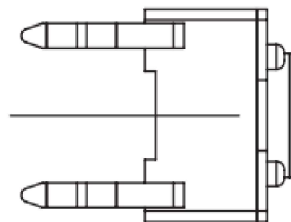
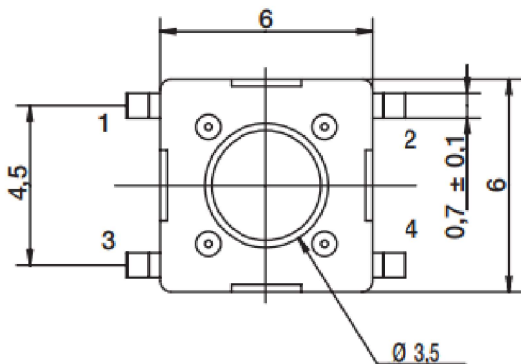
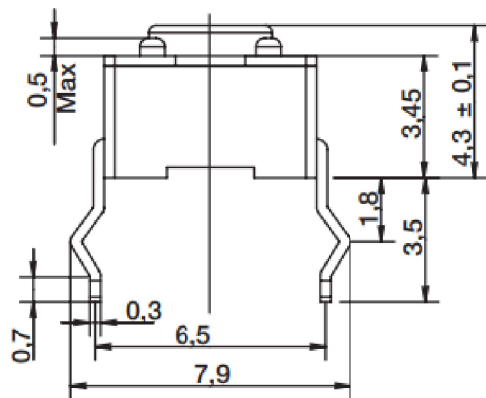


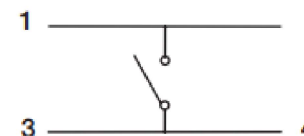
RoHS

CAD GENERATED DRAWING. DON'T CHANGE BY HAND.

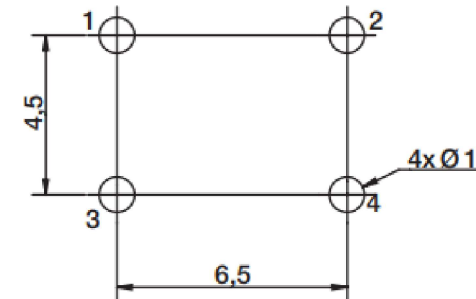
|      |          |       |
|------|----------|-------|
| REV. | ECN. NO. | APPD. |
|      |          |       |



SCHEMATIC



PCB LAYOUT



Specification

|                       |                     |
|-----------------------|---------------------|
| Operating Life        | 100,000             |
| Contact rating        | 50mA@12V DC.        |
| Insulation resistance | 1011Ω min.          |
| Contact resistance    | 100mΩ max. initial. |
| Dielectric Strength   | 250 V AC(1mm)       |
| Travel                | 0.3±0.1mm           |
| Storage Temperature   | -30° C to85° C      |

Packaging:  
Bulk packaging of 1,000 pieces

Mechanical

| Actuation Force | Operatin<br>g Force (gf) | H  | Heiht<br>mm |
|-----------------|--------------------------|----|-------------|
|                 |                          | 43 | 4.3         |
| L               | 130±50                   | 50 | 5.0         |
| M               | 160±50                   | 70 | 7.0         |
| H               | 200±50                   | 73 | 7.3         |
| K               | 260±50                   | 95 | 9.5         |

|            |            |             |
|------------|------------|-------------|
| X. ±0.50   | X.° ±2°    | UNITS<br>mm |
| .X ±0.30   | .X° ±1°    |             |
| .XX ±0.10  | .XX° ±0.5° | MAT'L       |
| .XXX ±0.05 |            | FINISH      |
|            |            | Q'TY        |

THESE DRAWINGS AND SPECIFICATIONS ARE THE PROPERTY OF YIYUAN TECHNOLOGY CO.,LTD AND SHALL NOT BE REPRODUCED, COPIED OR USED IN ANY MANNER WITHOUT THE PRIOR WRITTEN CONSENT OF YIYUAN TECHNOLOGY CO.,LTD



深圳市怡远科技有限公司  
SHENZHEN YIYUAN TECHNOLOGY CO., LTD

PART NO.  
YTS 645 S X X

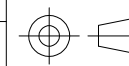
TITLE:  
TACTILE SWITCH (thro hole)

APPD: ROGER

DWG NO. :  
YTS 645 S X X

CHKD: ROC

DR: BILLY WANG 2020/08/21



|       |       |      |
|-------|-------|------|
| SCALE | SHEET | REV. |
| 1/1   | 1/1   | A1   |

## X-ON Electronics

Largest Supplier of Electrical and Electronic Components

*Click to view similar products for [Tactile Switches](#) category:*

*Click to view products by [YIYUAN](#) manufacturer:*

Other Similar products are found below :

[5GTH92001](#) [5GTH9202242](#) [6407-250V-25273P](#) [ADTSA62NV](#) [ADTSA62RV](#) [B3F-3123](#) [1977177-8](#) [1977266-1](#) [ADTSA63NV](#)  
[ADTSM21NSVTR](#) [ADTSM25RVTR](#) [ADTSM32NVTR](#) [ADTSMW64RV](#) [FSMRA4JHA04](#) [GS4.70F300QP](#) [KSC241J SP DELTA LFS](#)  
[3FTL600RAS](#) [3FTL640RAS](#) [Y96K132V0FPLFS](#) [5GTH9658222](#) [ADTSM31NVTR](#) [2-1977120-7](#) [TSJW-5.2-260-TR](#) [KMT011MNGJLHS](#)  
[B3WN6002S](#) [70-201.0](#) [ADTSG648NV](#) [ADTSM62KSVTR](#) [ADTSM648NV](#) [95C06E3RAT](#) [5GTH96561](#) [3ATH9Q](#) [FSMRA8JHA04](#)  
[HARS0073](#) [Y33R411N9FPLFT](#) [Y31C01402FPLFS](#) [PTS645SK50SMTR92](#) [ADTSM32NVB](#) [KMS233GPWTLFG](#) [Y78B64124FP](#)  
[Y96D113G0FP LFS](#) [Y33A812C5FP LFT](#) [Y56B2D120FP LFS](#) [PTS645 DVM83-BN125-2 LFS](#) [B3W 1000G](#) [KSC621G OL LFS](#) [B3F 1002C](#)  
[B3F 0047H](#) [B3F 1000G](#) [B3W 1002C](#)