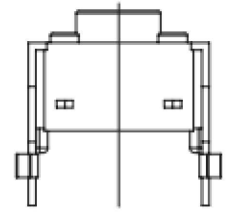


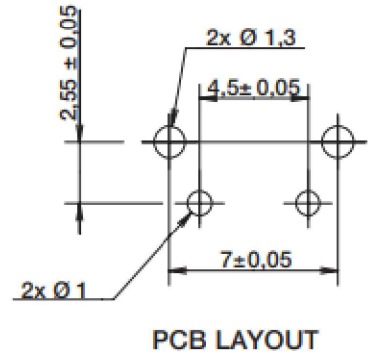
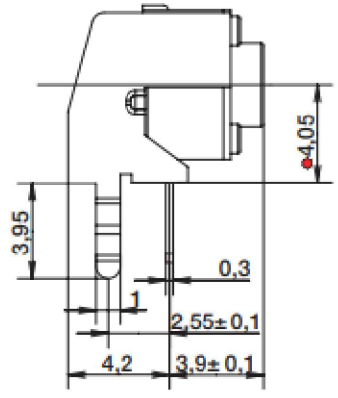
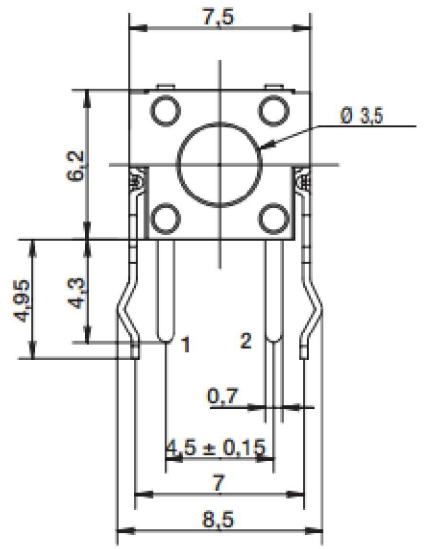
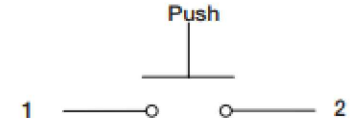
RoHS

CAD GENERATED DRAWING. DON'T CHANGE BY HAND.

| | | |
|------|----------|-------|
| REV. | ECN. NO. | APPD. |
| | | |



SCHEMATIC



PCB LAYOUT

Specification

| | |
|-----------------------|---------------------|
| Operating Life | 100,000 |
| Contact rating | 50mA@12V DC. |
| Insulation resistance | 1011Ω min. |
| Contact resistance | 100mΩ max. initial. |
| Dielectric Strength | 250 V AC(1mm) |
| Terminals | PC pins |
| Storage Temperature | -30° C to85° C |

Packaging:
Bulk packaging of 1,000 pieces.

Mechanical

| Actuation Force | Operatin g Force (gf) | H | Height mm |
|-----------------|-----------------------|----|-----------|
| L | 130±50 | 31 | 3.15 |
| M | 160±50 | 39 | 3.85 |
| H | 200±50 | 58 | 5.85 |
| K | 260±50 | 83 | 8.35 |

| | | | |
|------|--------|------|--------|
| X. | ± 0.50 | X.° | ± 2° |
| .X | ± 0.30 | .X° | ± 1° |
| .XX | ± 0.10 | .XX° | ± 0.5° |
| .XXX | ± 0.05 | | |

| | |
|-------|----|
| UNITS | mm |
| MAT'L | / |

yi YUAN 深圳市怡远科技有限公司
SHENZHEN YIYUAN TECHNOLOGY CO.,LTD

| | | | |
|----------|-----------|--------|----------------|
| PART NO. | YTS 645 V | TITLE: | TACTILE SWITCH |
|----------|-----------|--------|----------------|

THESE DRAWINGS AND SPECIFICATIONS ARE THE PROPERTY OF YIYUAN TECHNOLOGY CO.,LTD AND SHALL NOT BE REPRODUCED, COPIED OR USED IN ANY MANNER WITHOUT THE PRIOR WRITTEN CONSENT OF YIYUAN TECHNOLOGY CO.,LTD

| | |
|--------|---|
| FINISH | / |
| Q'TY | / |

| | | | |
|-------|-----------------------|----------|-----------|
| APPD: | ROGER | DWG NO.: | YTS 645 V |
| CHKD: | ROC | | |
| DR: | BILLY WANG 2020/08/21 | | |

| | | | |
|--|-------|-------|------|
| | SCALE | SHEET | REV. |
| | 1/1 | 1/1 | A1 |

X-ON Electronics

Largest Supplier of Electrical and Electronic Components

Click to view similar products for [Tactile Switches](#) category:

Click to view products by [YIYUAN](#) manufacturer:

Other Similar products are found below :

[6407-250V-25273P](#) [ADTSA62NV](#) [B3F-3123](#) [1977177-8](#) [1977266-1](#) [ADTSA63NV](#) [ADTSM21NSVTR](#) [ADTSM25RVTR](#) [ADTSM32NVTR](#)
[ADTSMW64RV](#) [1977120-6](#) [FSMRA4JHA04](#) [GS4.70F300QP](#) [KSC241J SP DELTA LFS](#) [3FTL600RAS](#) [3FTL640RAS](#) [6407-250V-25343P](#)
[ADTSM31NVTR](#) [2-1977120-7](#) [TSJW-5.2-260-TR](#) [Y651050400P](#) [KMT011MNGJLHS](#) [70-201.0](#) [ADTSG648NV](#) [ADTSM62KSVTR](#)
[ADTSM648NV](#) [95C06E3RAT](#) [3ATH9Q](#) [FSMRA8JHA04](#) [HARS0073](#) [Y33R411N9FPLFT](#) [Y33R51139FPLFT](#) [Y31C01402FPLFS](#)
[PTS645SK50SMTR92](#) [ADTSM32NVB](#) [KMS233GPWTLFG](#) [Y78B64124FP](#) [Y31CJ244KFP LFS](#) [Y96D113G0FP LFS](#) [Y33A812C5FP LFT](#)
[Y56B2D120FP LFS](#) [Y31C5144KFP LFS](#) [PTS645 DVM83-BN125-2 LFS](#) [B3W 1000G](#) [KSC621G OL LFS](#) [B3F 1002C](#) [B3F 0047H](#) [B3W](#)
[1002C](#) [B3F 5001G](#) [B3W 1100C](#)