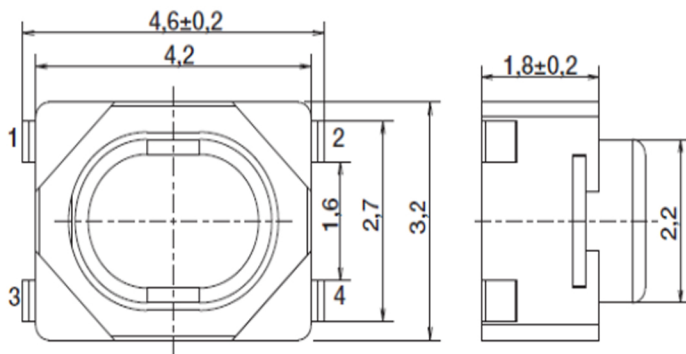
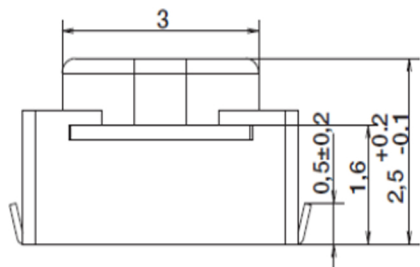


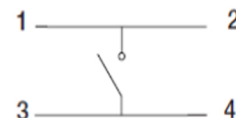
RoHS

CAD GENERATED DRAWING. DON'T CHANGE BY HAND.

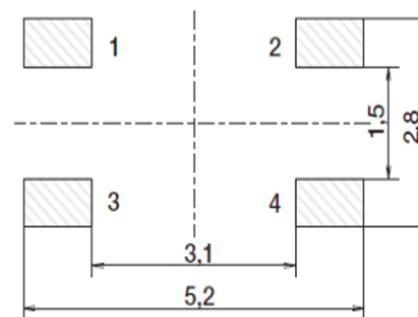
REV.	ECN. NO.	APPD.



SCHMATIC



RECOMMENDED PCB LAYOUT



Specification

Maximum Voltage	16VDC
Maximum Current DC	50mA
Dielectric Strength	250 VA C(1mn)
Contact Resistance	≤500mΩ
Insulation Resistance	≥100MΩ
Operating Temperature	-40°C to 85°C
Storage Temperature	-40° C to 85° C
Bounce Time	≤10 ms

Travel:  
For 160&260 gf 0.15mm ±0.1mm  
For 400&600 gf 0.20mm ±0.1mm

Packaging:  
Switches in reels of 2,900 pieces.  
Dimensions of reels according to EIA 481B  
External diameter 330mm

Mechanical

	Operating force gf	Operating force Life
YTS810 SJM	160±50	150,000
YTS810 SJK	260±70	50,000
YTS810 SJG	400±100	100,000
YTS810 SJS	600±150	150,000

X.	±0.50	X.°	±2°	UNITS	mm
.X	±0.30	.X°	±1°		
.XX	±0.10	.XX°	±0.5°	MAT'L	
.XXX	±0.05				
THESE DRAWINGS AND SPECIFICATIONS ARE THE PROPERTY OF YIYUAN TECHNOLOGY CO.,LTD AND SHALL NOT BE REPRODUCED, COPIED OR USED IN ANY MANNER WITHOUT THE PRIOR WRITTEN CONSENT OF YIYUAN TECHNOLOGY CO.,LTD					
				FINISH	
				Q'TY	



深圳市怡远科技有限公司  
SHENZHEN YIYUAN TECHNOLOGY CO., LTD

PART NO.  
YTS 810

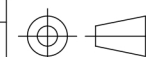
TITLE:  
TACTILE SWITCH

APPD: ROGER

DWG NO.:  
YTS 810

CHKD: ROC

DR: BILLY WANG 2020/08/21



SCALE	SHEET	REV.
1/1	1/1	A1

## X-ON Electronics

Largest Supplier of Electrical and Electronic Components

*Click to view similar products for [Tactile Switches](#) category:*

*Click to view products by [YIYUAN](#) manufacturer:*

Other Similar products are found below :

[5GTH92001](#) [5GTH9202242](#) [ADTSA62NV](#) [ADTSA62RV](#) [B3F-3123](#) [1977177-8](#) [1977266-1](#) [ADTSA63NV](#) [ADTSM21NSVTR](#)  
[ADTSM25RVTR](#) [ADTSM32NVTR](#) [ADTSMW64RV](#) [FSMRA4JHA04](#) [GS4.70F300QP](#) [3ESH9R](#) [KSC241J](#) [SP DELTA](#) [LFS](#) [3FTL600RAS](#)  
[3FTL640RAS](#) [Y96K132V0FPLFS](#) [5GSH92001](#) [5GTH9658222](#) [ADTSM31NVTR](#) [2-1977120-7](#) [TSJW-5.2-260-TR](#) [KMT011MNGJLHS](#)  
[ADTSG648NV](#) [ADTSM62KSVTR](#) [ADTSM648NV](#) [95C06E3RAT](#) [3ATH9Q](#) [FSM4JSMLXTR](#) [FSM4JSMXL](#) [FSMRA8JHA04](#) [HARS0073](#)  
[Y97HS12A5RAFP](#) [Y97BT23B2HAFP](#) [Y33R411N9FPLFT](#) [Y31C01402FPLFS](#) [PTS645SK50SMTR92](#) [ADTSM32NVB](#) [KMS233GPWTLFG](#)  
[Y78B42324FP](#) [Y33R21116FPLFT](#) [Y31B43131FPLFG](#) [Y78B64124FP](#) [Y71243251FP](#) [Y33R31119FPLFT](#) [Y97HS12A5TAFP](#)  
[PTS638SK25SMTR2LFS](#) [Y97LT25BADBFP](#)