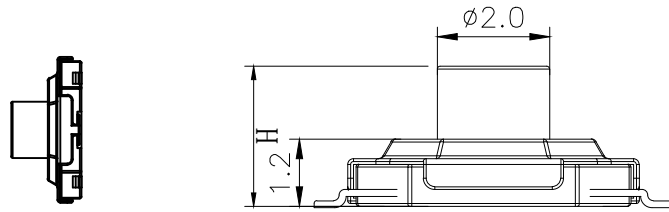
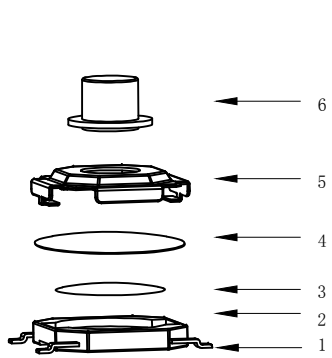


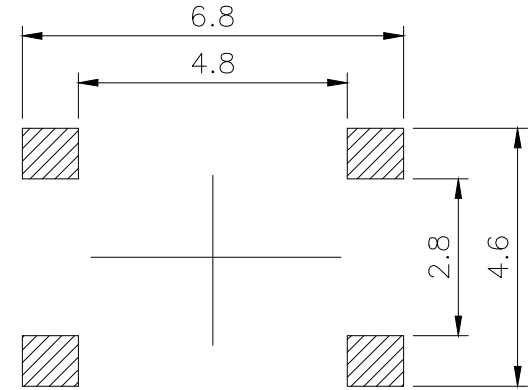
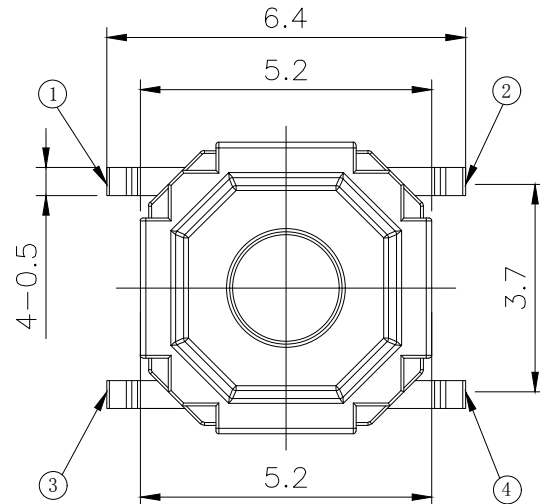
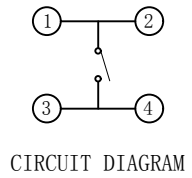
RoHS

CAD GENERATED DRAWING. DON'T CHANGE BY HAND.

REV.	ECN. NO.	APPD.



H			
A	1.5	B	1.7
C	2.0	D	2.3
E	2.5	F	3.0
G	3.5	H	4.0
I	4.3	J	4.5
K	5.0		



PCB. WELDING DRAWING

Specification

Rate voltage. current	50mA DC12V
Contact resistance	≤100mΩ
Operating force	160±50gf
Travel	0.20±0.10mm
Insulated resistance	≥100MΩ
Dielectric strength	≥250VAC/1min
Life cycle	≥100000次

ITEM	PART NAME	Q' TY	MATERIAL	FINSH/COLOR
6	Button	1	Plastic	PPA
5	Cover	1	Stainless steel	Cleaning
4	Dust film	1	Polyimide	Orange
3	Shrapnel	1	Stainless steel	Silver
2	Housing	1	PPA	Black
1	Cards	1	Brass	Silver

X. ±0.50	X.° ±2°	UNITS
.X ±0.30	.X° ±1°	mm
.XX ±0.10	.XX° ±0.5°	MAT'L
.XXX ±0.05		FINISH
THESE DRAWINGS AND SPECIFICATIONS ARE THE PROPERTY OF 'YUYUAN TECHNOLOGY CO.,LTD AND SHALL NOT BE REPRODUCED, COPIED OR USED IN ANY MANNER WITHOUT THE PRIOR WRITTEN CONSENT OF YUYUAN TECHNOLOGY CO.,LTD		Q' TY

	深圳市怡远科技有限公司 SHENZHEN YIYUAN TECHNOLOGY CO., LTD	
	PART NO. YTS-C005P-2H	TITLE: TACTILE SWITCH
APPD: ROGER	DWG NO. : YTS-C005P-2H	
CHKD: ROC	SCALE SHEET REV. 1/1 1/1 A1	
DR: BILLY WANG 2020/08/21		

X-ON Electronics

Largest Supplier of Electrical and Electronic Components

Click to view similar products for [Tactile Switches](#) category:

Click to view products by [YIYUAN](#) manufacturer:

Other Similar products are found below :

[5GTH92001](#) [5GTH9202242](#) [ADTSA62NV](#) [ADTSA62RV](#) [B3F-3123](#) [1977177-8](#) [1977266-1](#) [ADTSA63NV](#) [ADTSM21NSVTR](#)
[ADTSM25RVTR](#) [ADTSM32NVTR](#) [ADTSMW64RV](#) [FSMRA4JHA04](#) [GS4.70F300QP](#) [3ESH9R](#) [KSC241J SP DELTA LFS](#) [3FTL600RAS](#)
[3FTL640RAS](#) [Y96K132V0FPLFS](#) [5GSH92001](#) [5GTH9658222](#) [ADTSM31NVTR](#) [2-1977120-7](#) [TSJW-5.2-260-TR](#) [KMT011MNGJLHS](#)
[ADTSG648NV](#) [ADTSM62KSVTR](#) [ADTSM648NV](#) [95C06E3RAT](#) [3ATH9Q](#) [FSM4JSMLXTR](#) [FSM4JSMXL](#) [FSMRA8JHA04](#) [HARS0073](#)
[Y97HS12A5RAFP](#) [Y97BT23B2HAFP](#) [Y33R411N9FPLFT](#) [Y31C01402FPLFS](#) [PTS645SK50SMTR92](#) [ADTSM32NVB](#) [KMS233GPWTLFG](#)
[Y78B42324FP](#) [Y33R21116FPLFT](#) [Y31B43131FPLFG](#) [Y78B64124FP](#) [Y71243251FP](#) [Y33R31119FPLFT](#) [Y97HS12A5TAFP](#)
[PTS638SK25SMTR2LFS](#) [Y97LT25BADBFP](#)