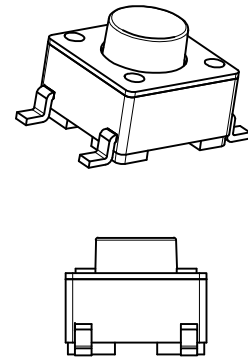
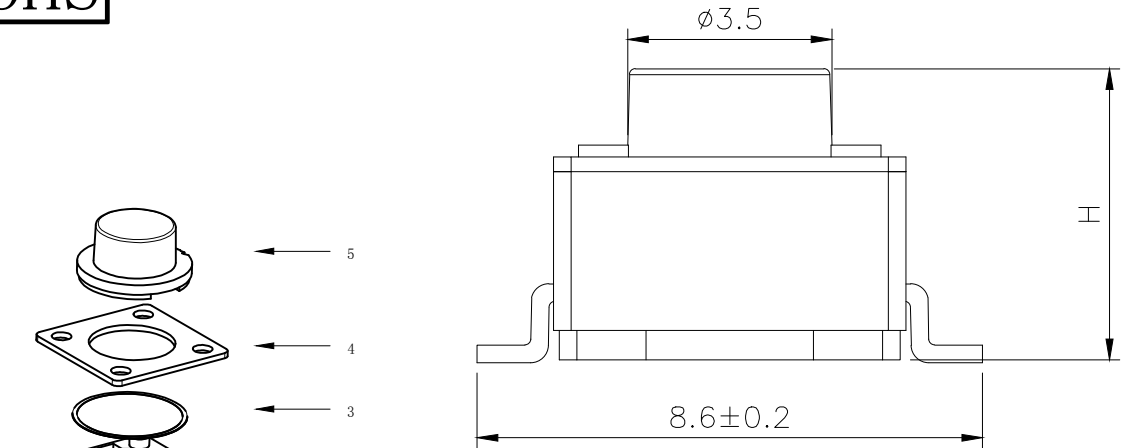


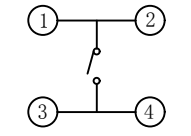
RoHS

CAD GENERATED DRAWING. DON'T CHANGE BY HAND.

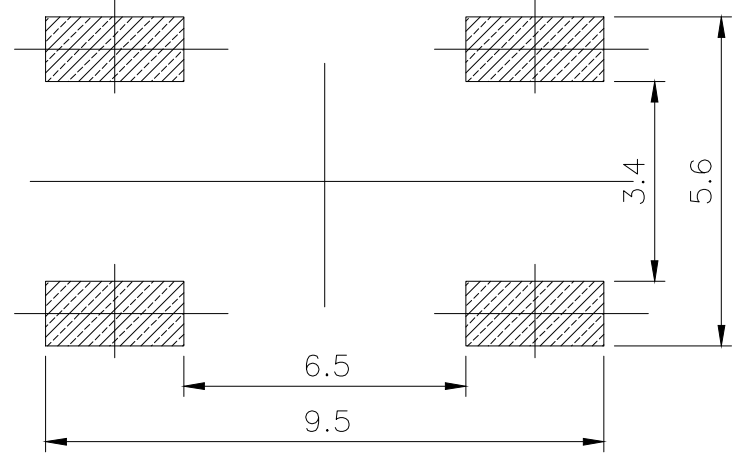
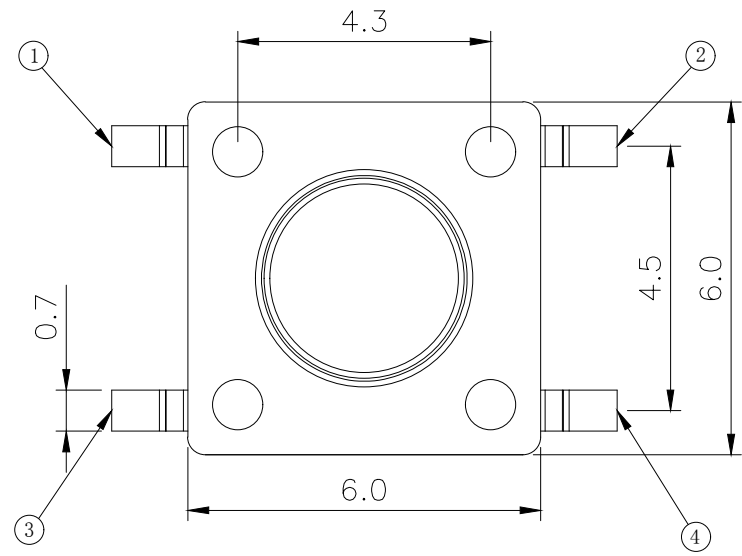
| REV. | ECN. NO. | APPD. |
|------|----------|-------|
| | | |



| H | | H | |
|---|------|---------------------|------|
| A | 4.3 | B | 4.5 |
| C | 5.0 | D | 5.5 |
| E | 6.0 | F | 6.5 |
| G | 7.0 | H </td <td>7.5</td> | 7.5 |
| I | 8.0 | J | 8.5 |
| K | 9.0 | L | 9.5 |
| M | 10.0 | N | 10.5 |
| O | 11.0 | P | 12.0 |



CIRCUIT DIAGRAM



PCB. WELDING DRAWING

Specification

| | |
|----------------------|--------------|
| Rate voltage.current | 50mA DC12V |
| Contact resistance | ≤100mΩ |
| Operating force | 250±50gf |
| Travel | 0.25±0.10mm |
| Insulated resistance | ≥100MΩ |
| Dielectric strength | ≥250VAC/1min |
| Life cycle | ≥30000次 |

| ITEM | PART NAME | Q' TY | MATERIAL | FINSH/COLOR |
|------|-----------|-------|-----------------|--------------------|
| 5 | Button | 1 | PPA | Black |
| 4 | Cover | 1 | Iron | Copper tin plating |
| 3 | Shrapnel | 1 | Phosphor copper | Double silver |
| 2 | Housing | 1 | PPA | Black |
| 1 | Cards | 1 | Brass | Silver |

| | | | |
|------|-------|------|--------|
| X. | ±0.50 | X.° | ± 2° |
| .X | ±0.30 | .X° | ± 1° |
| .XX | ±0.10 | .XX° | ± 0.5° |
| .XXX | ±0.05 | | |

THESE DRAWINGS AND SPECIFICATIONS ARE THE PROPERTY OF YIYUAN TECHNOLOGY CO.,LTD AND SHALL NOT BE REPRODUCED, COPIED OR USED IN ANY MANNER WITHOUT THE PRIOR WRITTEN CONSENT OF YIYUAN TECHNOLOGY CO.,LTD

| | |
|--------|----|
| UNITS | mm |
| MAT'L | / |
| FINISH | / |
| Q' TY | / |



深圳市怡远科技有限公司
SHENZHEN YIYUAN TECHNOLOGY CO.,LTD

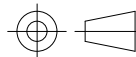
PART NO.
YTS-D003-2H

TITLE:
TACTILE SWITCH

APPD: ROGER
CHKD: ROC
DR: BILLY WANG 2020/08/21

DWG NO.:
YTS-D003-2H

| | | |
|-------|-------|------|
| SCALE | SHEET | REV. |
| 1/1 | 1/1 | A1 |



X-ON Electronics

Largest Supplier of Electrical and Electronic Components

Click to view similar products for [Tactile Switches](#) category:

Click to view products by [YIYUAN](#) manufacturer:

Other Similar products are found below :

[5GTH92001](#) [5GTH9202242](#) [ADTSA62NV](#) [ADTSA62RV](#) [B3F-3123](#) [1977177-8](#) [1977266-1](#) [ADTSA63NV](#) [ADTSM21NSVTR](#)
[ADTSM25RVTR](#) [ADTSM32NVTR](#) [ADTSMW64RV](#) [FSMRA4JHA04](#) [GS4.70F300QP](#) [3ESH9R](#) [KSC241J](#) [SP DELTA](#) [LFS](#) [3FTL600RAS](#)
[3FTL640RAS](#) [Y96K132V0FPLFS](#) [5GSH92001](#) [5GTH9658222](#) [ADTSM31NVTR](#) [2-1977120-7](#) [TSJW-5.2-260-TR](#) [KMT011MNGJLHS](#)
[ADTSG648NV](#) [ADTSM62KSVTR](#) [ADTSM648NV](#) [95C06E3RAT](#) [3ATH9Q](#) [FSM4JSMLXTR](#) [FSM4JSMXL](#) [FSMRA8JHA04](#) [HARS0073](#)
[Y97HS12A5RAFP](#) [Y97BT23B2HAFP](#) [Y33R411N9FPLFT](#) [Y31C01402FPLFS](#) [PTS645SK50SMTR92](#) [ADTSM32NVB](#) [KMS233GPWTLFG](#)
[Y78B42324FP](#) [Y33R21116FPLFT](#) [Y31B43131FPLFG](#) [Y78B64124FP](#) [Y71243251FP](#) [Y33R31119FPLFT](#) [Y97HS12A5TAFP](#)
[PTS638SK25SMTR2LFS](#) [Y97LT25BADBFP](#)