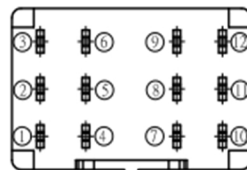
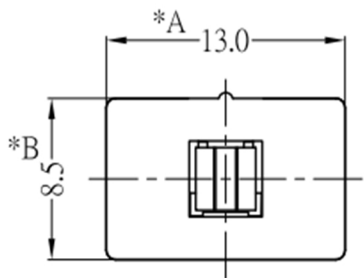


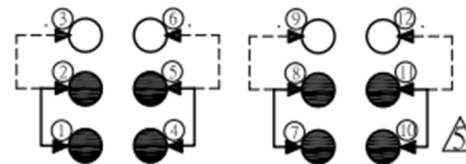
RoHS

CAD GENERATED DRAWING. DON'T CHANGE BY HAND.

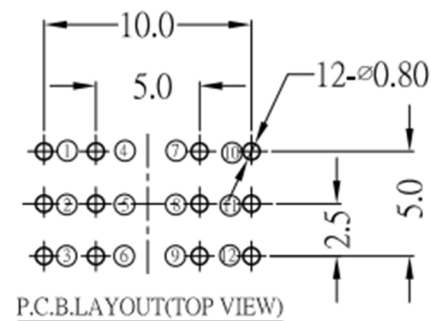
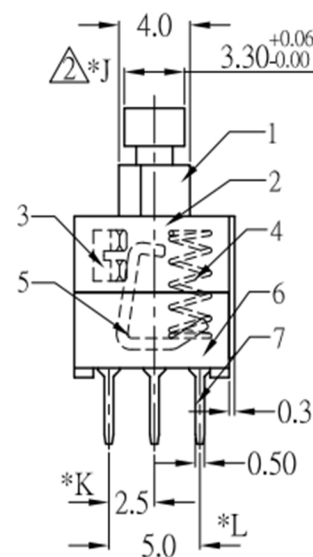
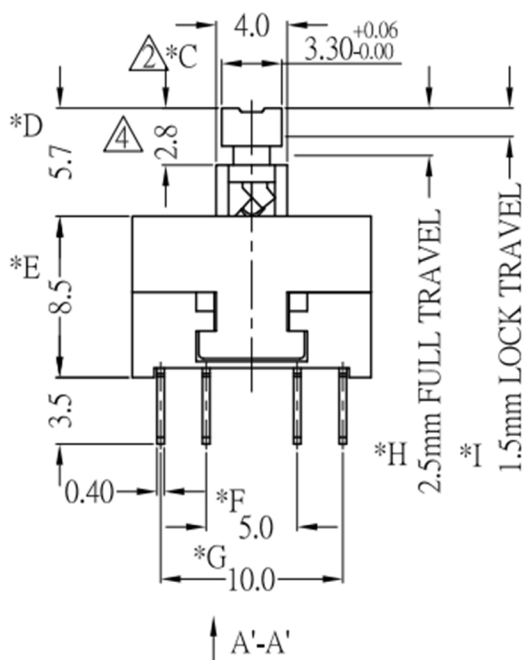
| | | |
|------|----------|-------|
| REV. | ECN. NO. | APPD. |
| | | |



△ A'-A' VIEW



SCHEMATIC



P.C.B.LAYOUT(TOP VIEW)

* CRITICAL DIMENSION

| | | | | |
|-----|-----------|-------|-----------|-------------|
| 7 | TERMINAL | 12 | C2680R-EH | Ag COATING |
| 6 | CASE | 1 | PBT | BLACK/GREY |
| 5 | CAM STICK | 1 | SUS | NATURAL |
| 4 | SPRING | 1 | SUS | NATURAL |
| 3 | CONTACT | 4 | C5210R-EH | Ag CLAD |
| 2 | COVER | 1 | PA66 | BLACK |
| 1 | KNOB | 1 | POM | WHITE |
| NO. | PART NAME | Q' TY | MATERIAL | FINSH/COLOR |

| | | | |
|------|-------|------|-------|
| X. | ±0.50 | X.° | ±2° |
| .X | ±0.30 | .X° | ±1° |
| .XX | ±0.10 | .XX° | ±0.5° |
| .XXX | ±0.05 | | |

THESE DRAWINGS AND SPECIFICATIONS ARE THE PROPERTY OF YIYUAN TECHNOLOGY CO.,LTD AND SHALL NOT BE REPRODUCED, COPIED OR USED IN ANY MANNER WITHOUT THE PRIOR WRITTEN CONSENT OF YIYUAN TECHNOLOGY CO.,LTD

| | |
|--------|----|
| UNITS | mm |
| MAT'L | / |
| FINISH | / |
| Q' TY | / |

| | | | | | | | | |
|---------------------------|---|---------------------------------|-------|-------|------|-----|-----|----|
| | 深圳市怡远科技有限公司 SHENZHEN YIYUAN TECHNOLOGY CO., LTD | | | | | | | |
| | PART NO. YTSPS-42E85L1 | TITLE: TACTILE SWITCH | | | | | | |
| APPD: ROGER | DWG NO. : YTSPS-42E85L1 | | | | | | | |
| CHKD: ROC | <table border="1"> <tr> <td>SCALE</td> <td>SHEET</td> <td>REV.</td> </tr> <tr> <td>1/1</td> <td>1/1</td> <td>A1</td> </tr> </table> | | SCALE | SHEET | REV. | 1/1 | 1/1 | A1 |
| SCALE | SHEET | REV. | | | | | | |
| 1/1 | 1/1 | A1 | | | | | | |
| DR: BILLY WANG 2020/08/21 | | | | | | | | |

X-ON Electronics

Largest Supplier of Electrical and Electronic Components

Click to view similar products for [Pushbutton Switches](#) category:

Click to view products by [YIYUAN](#) manufacturer:

Other Similar products are found below :

[8971K1133](#) [LW1L-M1C10V-A](#) [LW2L-M1C20M-A](#) [M22-D-R-GB0/K11](#) [67081K512X](#) [701PB580](#) [7199K101](#) [810K12910](#) [810KSV30B](#)
[FLT 2U EE 01A](#) [MML21EA2ADK](#) [MML21KA3ABK](#) [MML23KA3AC05K-001](#) [MML23KW3AA01W](#) [8418K2](#) [8442K2](#) [8442K3](#) [8450K1](#)
[860K11911T01A](#) [861901](#) [861K11911T01A07](#) [861K13810T00A14](#) [861K13911](#) [8646AB6X718UL](#) [8646ABUL](#) [9001KXRK](#)
[9533CD4+U574+U4922](#) [95-414.000](#) [99-453.837](#) [PV3H2B0NN-341](#) [A22NZBGANGA](#) [A22NZBMMNGA](#) [A22NZBNANGA](#)
[A22NZMPATRA](#) [A2PMA1X03EC56](#) [A3A-7310](#) [A3A-7340](#) [A3U-TMW-A2C-5M](#) [12037A2ULCSA](#) [1203A2UL](#) [ABGW410-R](#) [ABN400-R](#)
[121382](#) [1213C3](#) [HE3B-M2](#) [121194](#) [1212MRA](#) [1232A6NF](#) [1241.1183.7047](#) [121489](#)