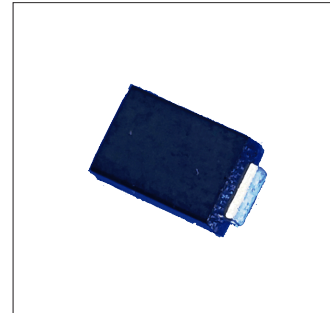


## Surface Mount Super Fast Recovery Rectifier

## ES3AB—ES3JB

### Features

- ◆ Low profile package
- ◆ Ideal for automated placement
- ◆ Glass passivated chip junction
- ◆ High forward surge capability
- ◆ Super fast reverse recovery time



### Mechanical Data

**Case:** SMB Molded plastic body

**Terminals:** Plated leads solderable per MIL-STD-750, Method 2026

**High temperature soldering guaranteed:** 260°C/10 seconds

**Polarity:** Cathode line denotes the cathode end

**Mounting Position:** Any

### Maximum Ratings & Electrical Characteristics

Ratings at TA = 25°C unless otherwise specified

Characteristic	Symbol	ES3AB	ES3BB	ES3DB	ES3FB	ES3GB	ES3JB	Units
Peak repetitive reverse voltage	VRRM	50	100	200	300	400	600	V
RMS reverse voltage	VRMS	35	70	140	210	280	420	V
DC blocking voltage	VDC	50	100	200	300	400	600	V
Maximum average forward output current	IF(AV)	3						A
Peak forward surge current, 8.3ms single half-sine-wave, @TJ = 25°C	IFSM	100						A
Rating for fusing (t<8.3ms)	I2t	41.7						A2sec
Maximum instantaneous forward voltage @ 3A	VF	0.95		1.3		1.7		V
Maximum reverse recovery time (Note 1)	Trr	35						nS
Maximum Reverse current @TA =25°C Rated VR @TA =125°C	IR	10 200						μ A

### Thermal Characteristics

Characteristic	Symbol	ES3AB	ES3BB	ES3DB	ES3FB	ES3GB	ES3JB	Units
Typical thermal resistance (Note 2)	R θJA	75						°C /W
	R θJL	25						
Operating junction temperature range	TJ	- 55 ---- + 150						°C
Storage temperature range	TSTG	- 55 ---- + 150						°C

Note:

(1) IF=0.5A, IR=1A, IRR=0.25A

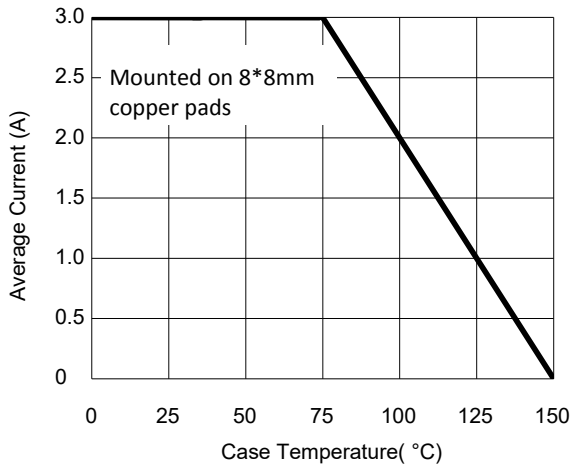
(2) Units mounted on P.C.B. with 8.0 x 8.0 mm land areas.

**Surface Mount Super Fast Recovery Rectifier**

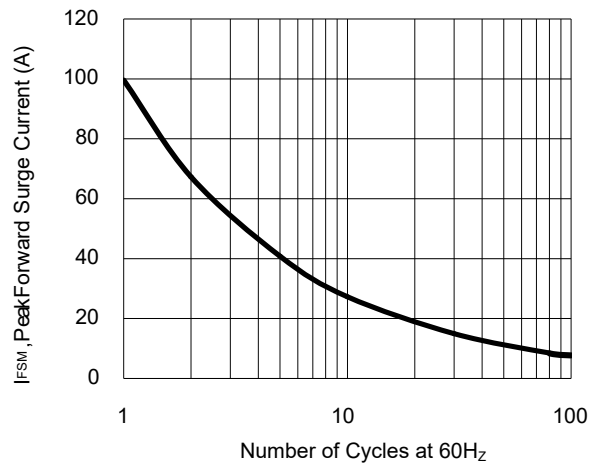
**ES3AB- ES3JB**

**Ratings and Characteristic Curves ( $T_A=25^{\circ}\text{C}$  unless otherwise noted)**

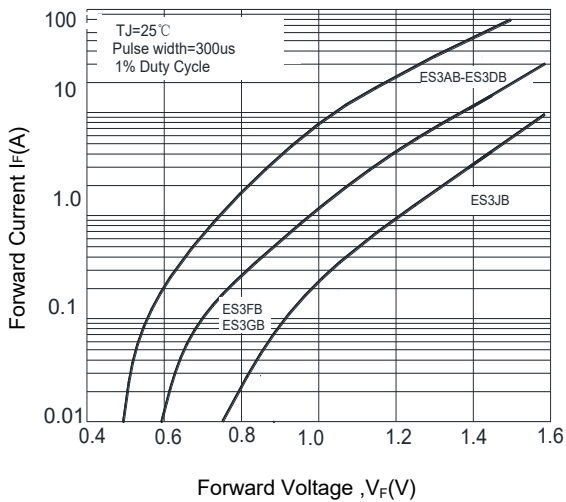
**Fig.1-Forward Current Derating Curve**



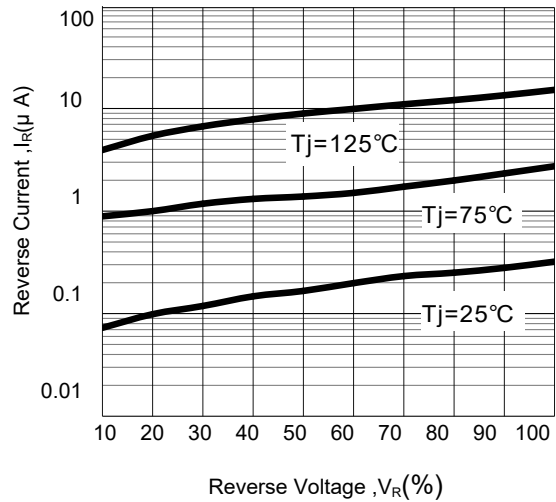
**Fig.2- Surge Current Derating Curve**



**Fig.3- Typical Forward Voltage Characteristic**



**Fig.4- Typical Reverse Characteristic**

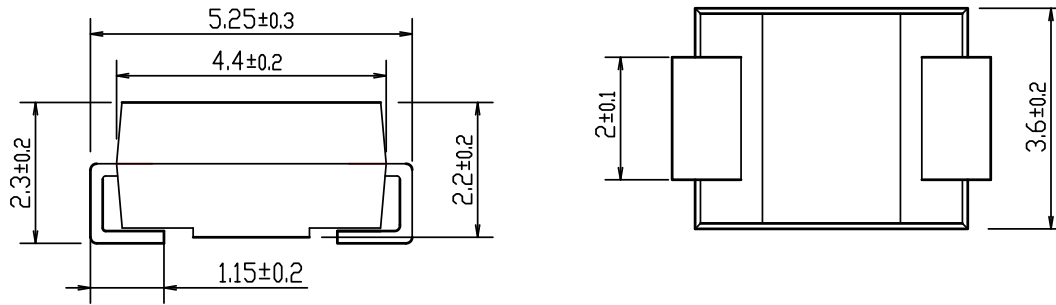


## Surface Mount Super Fast Recovery Rectifier

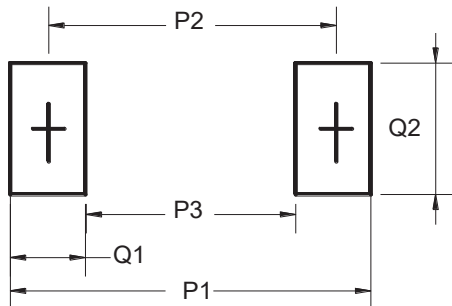
ES3AB- ES3JB

### Package Outline Dimensions(unit:mm)

#### DO-214AA (SMB)



### Mounting Pad Layout(unit:mm)



Dim	Millimeters
P1	6.80
P2	4.30
P3	1.80
Q1	2.50
Q2	2.30

### Ordering Information

Part No.	Marking	Package	Shipping
ES3AB	ES3AB	SMB	3000PCS /Tape&Reel
ES3BB	ES3BB	SMB	3000PCS /Tape&Reel
ES3DB	ES3DB	SMB	3000PCS /Tape&Reel
ES3FB	ES3FB	SMB	3000PCS /Tape&Reel
ES3GB	ES3GB	SMB	3000PCS /Tape&Reel
ES3JB	ES3JB	SMB	3000PCS /Tape&Reel

## X-ON Electronics

Largest Supplier of Electrical and Electronic Components

*Click to view similar products for [Rectifiers](#) category:*

*Click to view products by [Yjsemi](#) manufacturer:*

Other Similar products are found below :

[70HFR40](#) [FR105 R0](#) [RL252-TP](#) [150KR30A](#) [1N5397](#) [1N4002G](#) [1N4005-TR](#) [UFS120Je3/TR13](#) [JANS1N6640US](#) [481235F](#)  
[RRE02VS6SGTR](#) [067907F](#) [MS306](#) [70HF40](#) [T110HF60](#) [T85HFL60S02](#) [US2JFL-TP](#) [A1N5404G-G](#) [CRS12\(T5L,TEMQ\)](#) [ACGRB207-HF](#)  
[CLH07\(TE16L,Q\)](#) [CLH03\(TE16L,Q\)](#) [ACGRC307-HF](#) [ACEFC304-HF](#) [NTE6356](#) [NTE6359](#) [85HFR60](#) [40HFR60](#) [70HF120](#) [85HFR80](#)  
[D126A45C](#) [SCF7500](#) [D251N08B](#) [SCHJ22.5K](#) [SM100](#) [SCPA2](#) [SDHD5K](#) [ACGRA4001-HF](#) [D1821SH45T PR](#) [D1251S45T](#) [NTE6358](#)  
[NTE5850](#) [NTE5819](#) [NTE5837](#) [NTE5892](#) [NTE5900](#) [NTE5911](#) [NTE5915](#) [NTE5921](#) [NTE6104](#)