

## Surface Mount Schottky Rectifier

## SS52B—SS520B

### Features

- ◆ Low profile package
- ◆ Ideal for automated placement
- ◆ Guardring for overvoltage protection
- ◆ Low power losses, high efficiency
- ◆ High forward surge capability



### Mechanical Data

**Case:** DO-214AA(SMB) Molded plastic body

**Terminals:** Plated leads solderable per MIL-STD-750, Method 2026

**Polarity:** Cathode line denotes the cathode end

**Mounting Position:** Any

### Maximum Ratings & Electrical Characteristics

Ratings at TA = 25°C unless otherwise specified

Characteristic	Symbol	SS52B	SS54B	SS56B	SS58B	SS510B	SS515B	SS520B	Units
Peak repetitive reverse voltage	VRRM	20	40	60	80	100	150	200	V
RMS reverse voltage	VRMS	14	28	42	56	70	105	140	V
DC blocking voltage	VDC	20	40	60	80	100	150	200	V
Maximum average forward output current	IF(AV)	5							A
Peak forward surge current, 8.3ms single half-sine-wave, @TJ = 25°C	IFSM	120							A
Rating for fusing(t<8.3ms)	I2t	59.76							A2sec
Maximum instantaneous forward voltage @ 5A	VF	0.55	0.7	0.85	0.9				V
Maximum Reverse current Rated VR @TA =25°C	IR	0.5			0.1				mA
		20			5				

### Thermal Characteristics

Characteristic	Symbol	SS52B	SS54B	SS56B	SS58B	SS510B	SS515B	SS520B	Units
Typical thermal resistance (Note 1)	R θJA	65							°C /W
	R θJL	15							
Operating junction temperature range	TJ	-55~+125			-55~+150				°C
Storage temperature range	TSTG	-55~+150							°C

Note:

(1) Units mounted on P.C.B. with 8.0x 8.0mm copper pads

# Surface Mount Schottky Rectifier

# SS52B-SS520B

## Ratings and Characteristic Curves ( $T_A=25^{\circ}\text{C}$ unless otherwise noted)

Fig.1-Forward Current Derating Curve

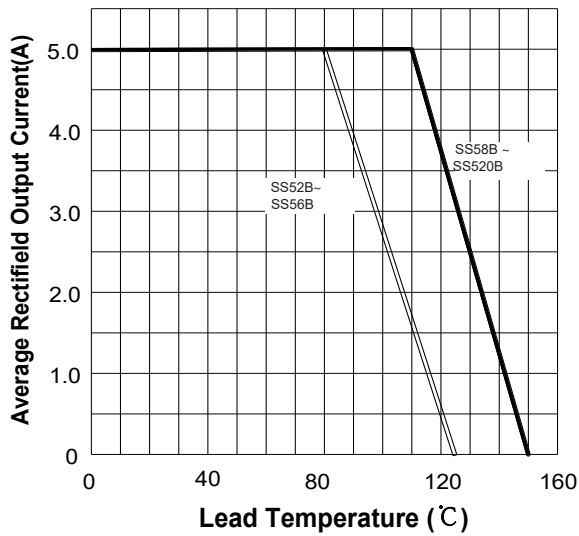


Fig.2- Surge Current Derating Curve

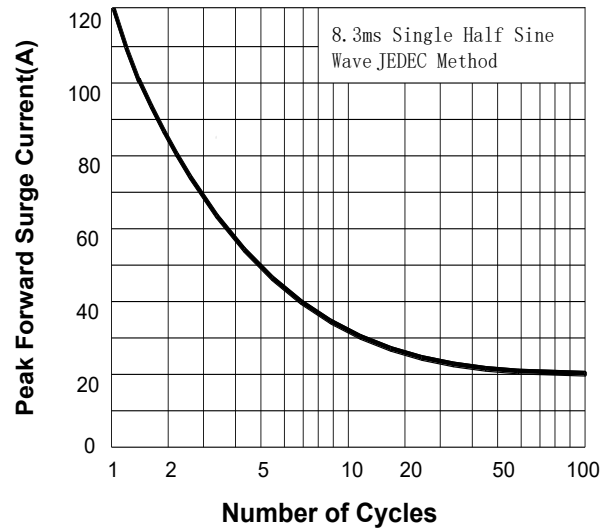


Fig.3- Typical Forward Voltage Characteristic

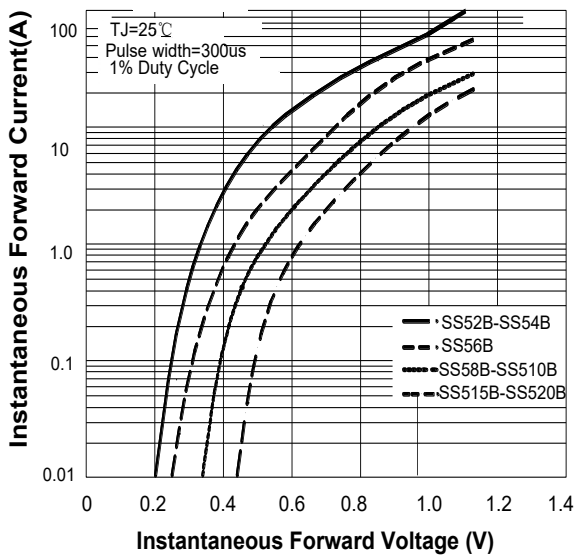
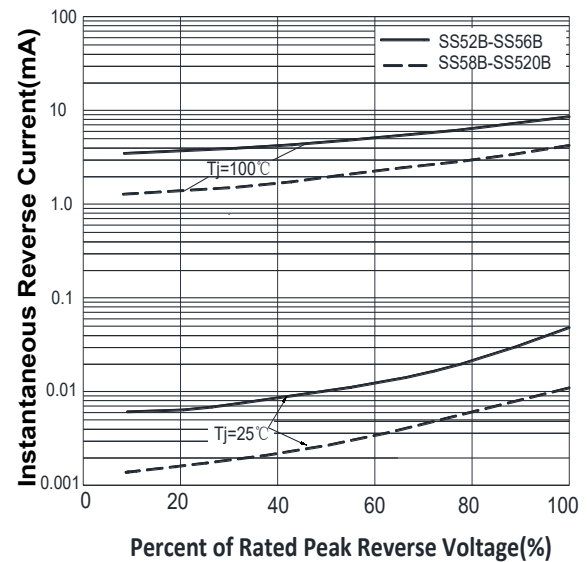


Fig.4- Typical Reverse Characteristic

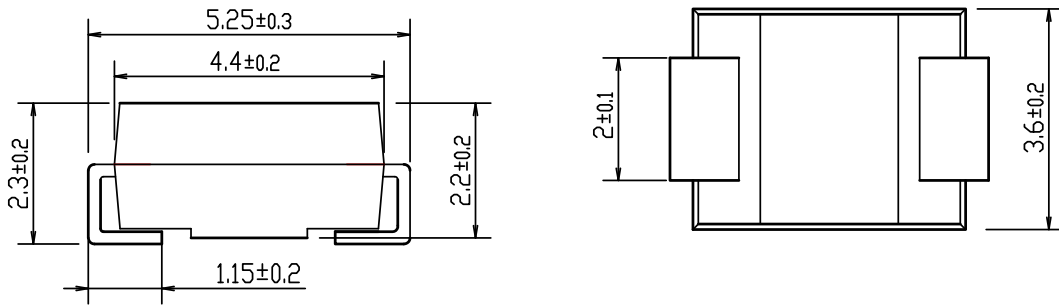


## Surface Mount Schottky Rectifier

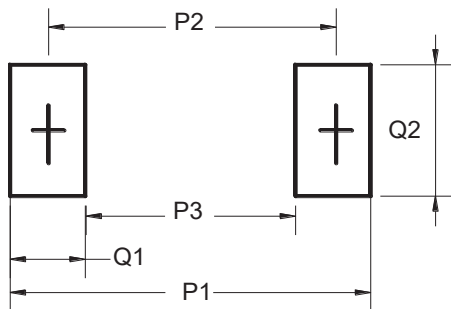
SS52B - SS520B

### Package Outline Dimensions(unit:mm)

#### DO-214AA (SMB)



### Mounting Pad Layout(unit:mm)



Dim	Millimeters
P1	6.80
P2	4.30
P3	1.80
Q1	2.50
Q2	2.30

### Ordering Information

Part No.	Marking	Package	Shipping
SS52B	SS52B	SMB	3000PCS /Tape&Reel
SS54B	SS54B	SMB	3000PCS /Tape&Reel
SS56B	SS56B	SMB	3000PCS /Tape&Reel
SS58B	SS58B	SMB	3000PCS /Tape&Reel
SS510B	SS510B	SMB	3000PCS /Tape&Reel
SS515B	SS515B	SMB	3000PCS /Tape&Reel
SS520B	SS520B	SMB	3000PCS /Tape&Reel

## X-ON Electronics

Largest Supplier of Electrical and Electronic Components

*Click to view similar products for [Schottky Diodes & Rectifiers](#) category:*

*Click to view products by [Yjsemi](#) manufacturer:*

Other Similar products are found below :

[MA4E2039](#) [MA4E2508M-1112](#) [MBR10100CT-BP](#) [MBR1545CT](#) [MMBD301M3T5G](#) [GS1JE-TP](#) [RB160M-50TR](#) [BAS16E6433HTMA1](#)  
[BAS 3010S-02LRH E6327](#) [BAT 54-02LRH E6327](#) [NSR05F40QNXT5G](#) [NSVR05F40NXT5G](#) [NTE555](#) [JANS1N6640](#) [SB07-03C-TB-H](#)  
[SK310-T](#) [SK33A-TP](#) [SK34B-TP](#) [SS3003CH-TL-E](#) [PDS3100Q-7](#) [GA01SHT18](#) [CRS10I30A\(TE85L,QM](#) [MA4E2501L-1290](#)  
[MBRB30H30CT-1G](#) [DMJ3940-000](#) [SB007-03C-TB-E](#) [SK32A-TP](#) [SK33B-TP](#) [SK35A-TP](#) [SK38B-LTP](#) [SK38B-TP](#) [NRVBM120LT1G](#)  
[NTE505](#) [NTSB30U100CT-1G](#) [VS-6CWQ10FNHM3](#) [CRG04\(T5L,TEMQ\)](#) [ACDBA1100LR-HF](#) [ACDBA1200-HF](#) [ACDBA2100-HF](#)  
[ACDBA240-HF](#) [ACDBA3100-HF](#) [CDBQC0530L-HF](#) [ACDBA260LR-HF](#) [ACDBA1100-HF](#) [MA4E2502L-1246](#) [10BQ060-M3/5BT](#)  
[NRVB130LSFT1G](#) [CRS08TE85LQM](#) [PMAD1108-LF](#) [B120Q-13-F](#)