

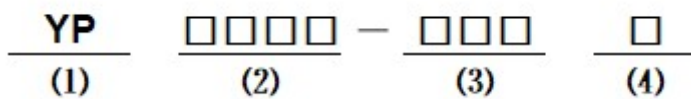
■ Features

- High current Type.
- Ferrite bobbin core and compact size.
- Low core loss for high frequency power application.
- Large terminal surface for good PCB bonding.
- Operating temperature:-40°C ~ +125°C.

■ Applications

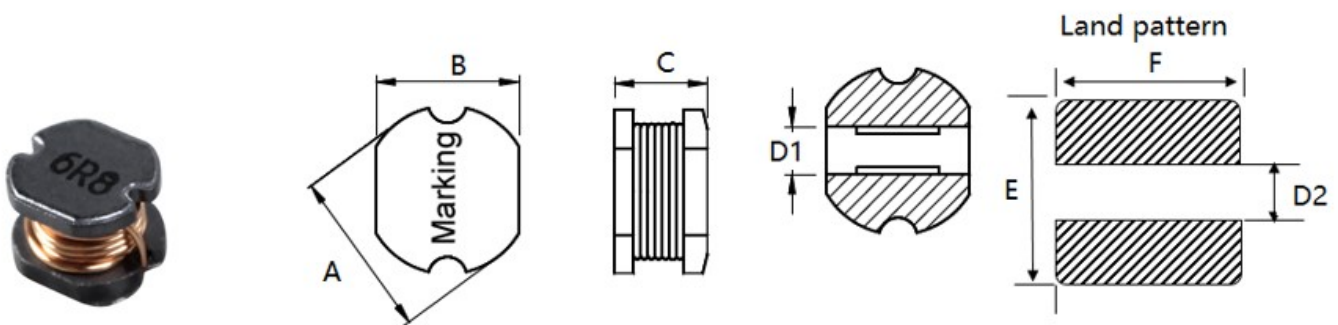
- Portable communication equipment.
- Notebook PC,digital camera,LCD television set.
- Power supply for VTR,OA equipment.
- DC/DC converters.

■ Product Identification



- (1) : Type
- (2) : Dimensions
- (3) : Inductance value
- (4): Inductance Tolerance: N=±30%,M=±20%, L=±15%, K=±10%

■ Shapes and Dimensions (Unit: mm)



| TYPE | A | B | C | D1 Ref. | D2 Ref. | E Ref. | F Ref. |
|--------|---------|---------|---------|---------|---------|--------|--------|
| YP0302 | 3.5±0.3 | 3.0±0.3 | 2.1±0.3 | 1.0 | 1.0 | 3.6 | 3.2 |

■ YP0302 Series

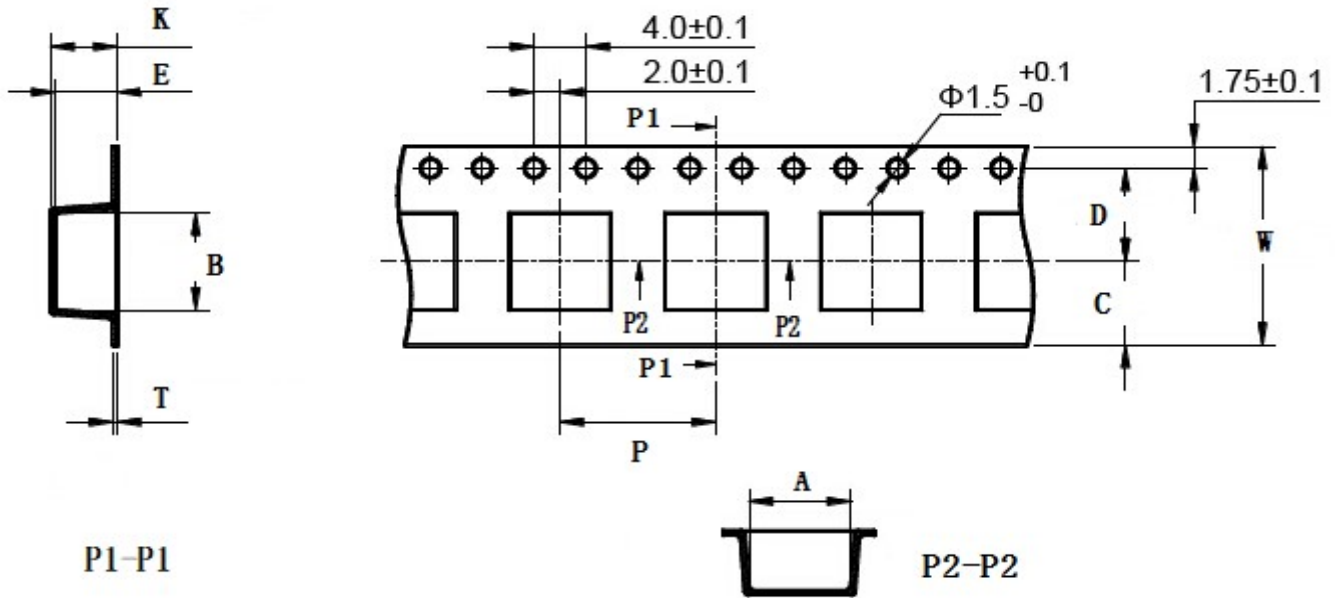
| Part Number | Inductance (μ H) | L Test Frequency (KHz) | Max.DC Resistance (Ω) | Max.Rated Current (A) |
|-------------|--------------------------|---------------------------|-----------------------------------|--------------------------|
| YP0302-R82□ | 0.82 | 100 | 0.049 | 2.80 |
| YP0302-1R0□ | 1.00 | 100 | 0.055 | 2.56 |
| YP0302-1R5□ | 1.50 | 100 | 0.070 | 2.00 |
| YP0302-2R2□ | 2.20 | 100 | 0.080 | 1.80 |
| YP0302-2R7□ | 2.70 | 100 | 0.110 | 1.70 |
| YP0302-3R3□ | 3.30 | 100 | 0.131 | 1.60 |
| YP0302-4R7□ | 4.70 | 100 | 0.170 | 1.50 |
| YP0302-5R6□ | 5.60 | 100 | 0.185 | 1.20 |
| YP0302-6R8□ | 6.80 | 100 | 0.188 | 1.10 |
| YP0302-8R2□ | 8.20 | 100 | 0.220 | 1.00 |
| YP0302-100□ | 10.0 | 100 | 0.342 | 1.00 |
| YP0302-120□ | 12.0 | 100 | 0.350 | 0.95 |
| YP0302-150□ | 15.0 | 100 | 0.460 | 0.90 |
| YP0302-180□ | 18.0 | 100 | 0.520 | 0.80 |
| YP0302-220□ | 22.0 | 100 | 0.685 | 0.75 |
| YP0302-270□ | 27.0 | 100 | 0.912 | 0.70 |
| YP0302-330□ | 33.0 | 100 | 0.951 | 0.60 |
| YP0302-390□ | 39.0 | 100 | 1.000 | 0.48 |
| YP0302-470□ | 47.0 | 100 | 1.582 | 0.45 |
| YP0302-560□ | 56.0 | 100 | 1.500 | 0.30 |
| YP0302-680□ | 68.0 | 100 | 2.033 | 0.27 |
| YP0302-820□ | 82.0 | 100 | 2.319 | 0.23 |
| YP0302-101□ | 100 | 100 | 2.558 | 0.22 |

■ YP0302 Series

| Part Number | Inductance (uH) | L Test Frequency (KHz) | Max.DC Resistance (Ω) | Max.Rated Current (A) |
|-------------|--------------------|---------------------------|--------------------------|--------------------------|
| YP0302-121□ | 120 | 100 | 2.900 | 0.18 |
| YP0302-151□ | 150 | 100 | 3.400 | 0.17 |
| YP0302-181□ | 180 | 100 | 3.900 | 0.16 |
| YP0302-221□ | 220 | 100 | 4.500 | 0.15 |
| YP0302-271□ | 270 | 100 | 6.000 | 0.13 |
| YP0302-331□ | 330 | 100 | 7.000 | 0.12 |
| YP0302-391□ | 390 | 100 | 7.800 | 0.11 |

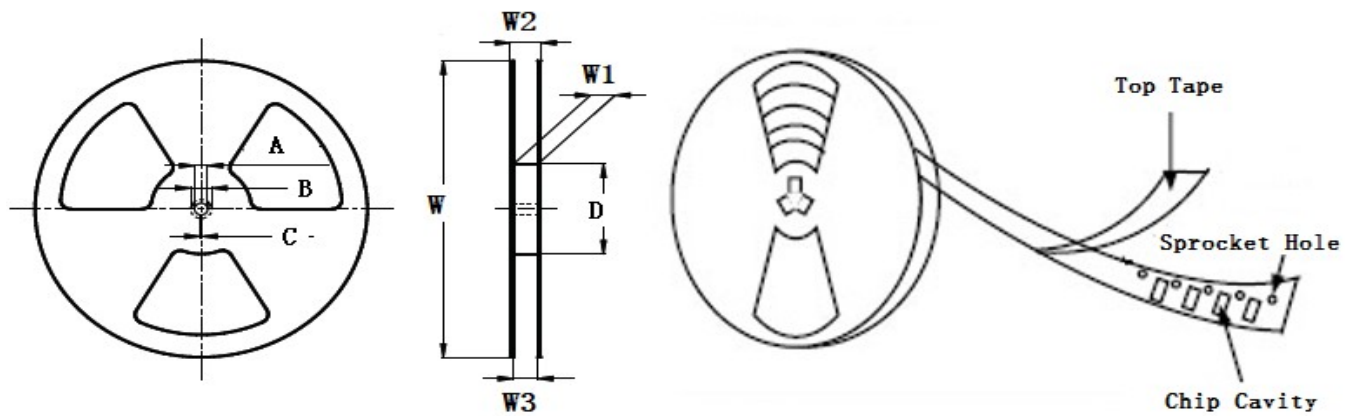
- ※ The saturation current value is the DC current value having inductance decrease down to 30%.(at 20°C)
- ※ The temperature rise current value is the DC current value having temperature increase up to 40°C. (at 20°C)
- ※ The rated current is the DC current value that satisfies both of current value saturation current value and temperature rise current value.

■ Taping Dimensions(Unit:mm)



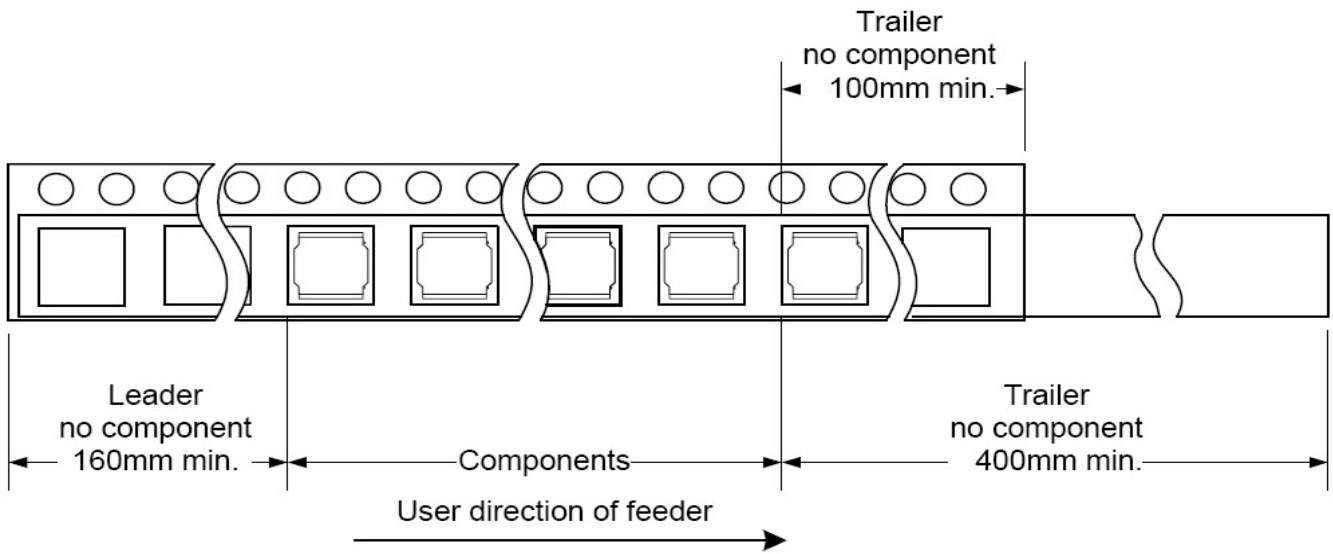
| TYPE | W | A | B | C | D | E | P | K Ref | T | MPQ |
|--------|--------|----------|----------|------|---------|----------|---------|----------|-----------|------|
| YP0302 | 12±0.3 | 3.25±0.1 | 3.80±0.1 | 4.75 | 5.5±0.1 | 2.30±0.1 | 8.0±0.1 | 2.5 | 0.30±0.05 | 3000 |

■ Reel Dimensions(Unit:mm)

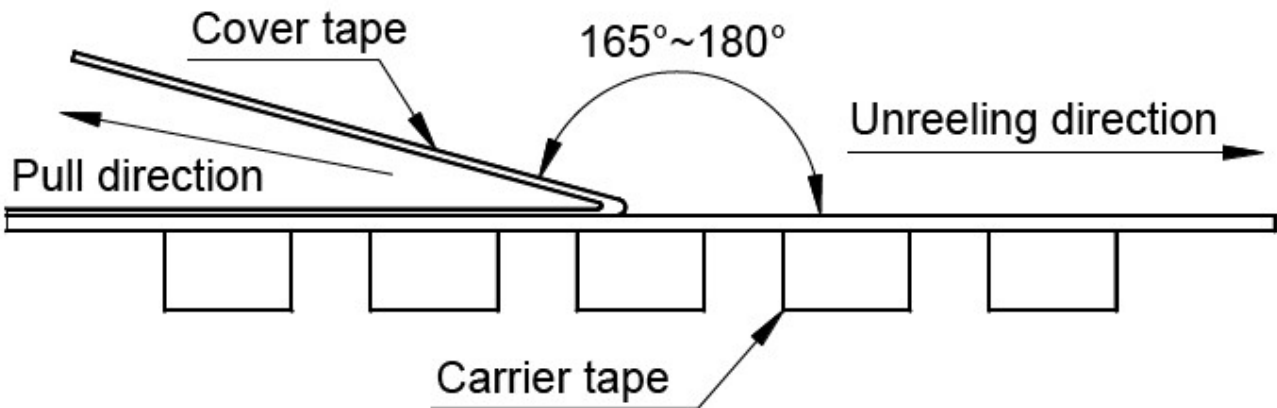


| TYPE | W | W1 | W2 | W3 | A | B | C | D |
|--------|---------|-----------|---------|---------|-----------|-----------|----------|---------|
| YP0302 | 330±2.0 | 12.8±1.50 | 18.4MAX | 11.9Min | 13.0±0.50 | 21.0±0.80 | 2.0±0.50 | 100 Min |

Direction of rolling



Cover tape peel off condition



Cover tape peel force shall be 0.1N to 1.3N.

Reference peel speed 300±10mm/min.

X-ON Electronics

Largest Supplier of Electrical and Electronic Components

Click to view similar products for [Fixed Inductors](#) category:

Click to view products by [YJYCOIN](#) manufacturer:

Other Similar products are found below :

[MLZ1608M6R8WTD25](#) [MLZ1608N6R8LT000](#) [MLZ1608N3R3LTD25](#) [MLZ1608N3R3LT000](#) [MLZ1608N150LT000](#)

[MLZ1608M150WTD25](#) [MLZ1608M3R3WTD25](#) [MLZ1608M3R3WT000](#) [MLZ1608M150WT000](#) [MLZ1608A1R5WT000](#)

[MLZ1608N1R5LT000](#) [B82432C1333K000](#) [PCMB053T-1R0MS](#) [PCMB053T-1R5MS](#) [PCMB104T-1R5MS](#) [CR32NP-100KC](#) [CR32NP-](#)

[151KC](#) [CR32NP-180KC](#) [CR32NP-181KC](#) [CR32NP-1R5MC](#) [CR32NP-390KC](#) [CR32NP-3R9MC](#) [CR32NP-680KC](#) [CR32NP-820KC](#)

[CR32NP-8R2MC](#) [CR43NP-390KC](#) [CR43NP-560KC](#) [CR43NP-680KC](#) [CR54NP-181KC](#) [CR54NP-470LC](#) [CR54NP-820KC](#) [CR54NP-8R5MC](#)

[MGDQ4-00004-P](#) [MGDU1-00016-P](#) [MHL1ECTTP18NJ](#) [MHL1JCTTD12NJ](#) [PE-51506NL](#) [PE-53601NL](#) [PE-53630NL](#) [PE-53824SNLT](#) [PE-](#)

[62892NL](#) [PE-92100NL](#) [PG0434.801NLT](#) [PG0936.113NLT](#) [PM06-2N7](#) [PM06-39NJ](#) [HC2LP-R47-R](#) [HC2-R47-R](#) [HC3-2R2-R](#) [HC8-1R2-R](#)