

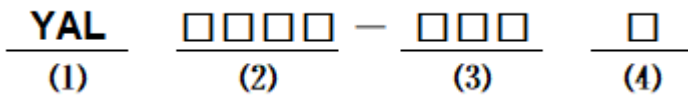
**■ Features**

- Low cost and high reliability.
- Coating epoxy resin that ensures the humidity resistance to be long life.
- Design to be compact,small and light-weight,wide range of inductance.
- Contibute to be high Q and self-resonent frequencies.
- Tapping type that is convenient for automatic insertion.

**■ Applications**

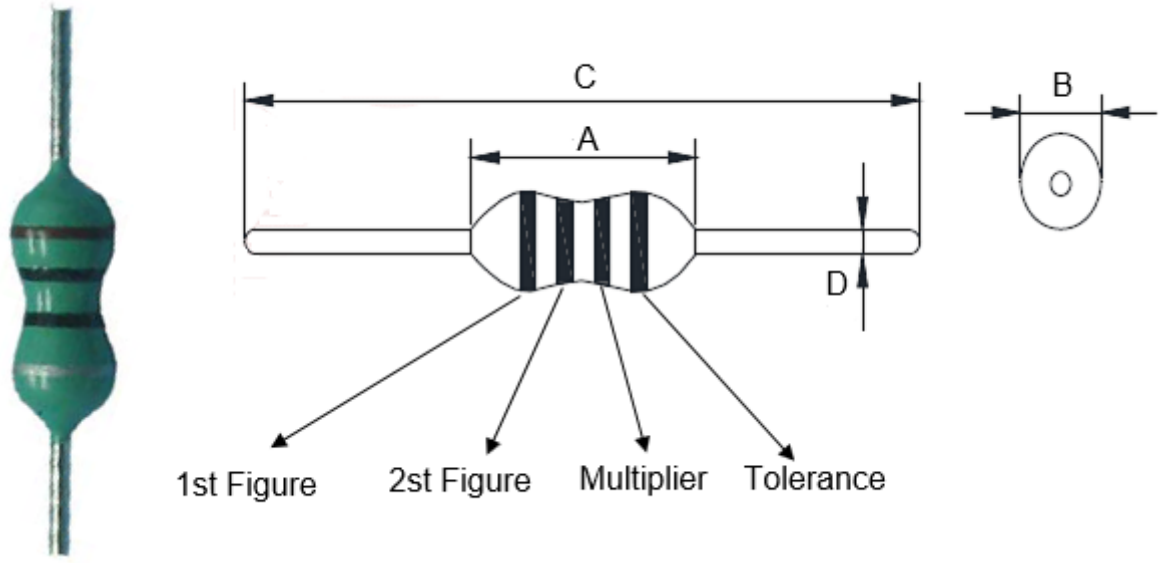
- Electronics products.
- Communication equipment.
- Computer Devices.
- TV,VCR and radios.

**■ Product Identification**



- (1) : Type
- (2) : Dimensions
- (3) : Inductance value
- (4) : Inductance Tolerance : N=±30%,M=±20% , K=±10% , J=±5%

**■ Shapes and Dimensions (Unit: mm)**



| TYPE    | A Max. | B Max. | C        | D         |
|---------|--------|--------|----------|-----------|
| YAL0307 | 8.0    | 3.0    | 62.0±2.0 | 0.50±0.05 |

**■ Color Coding**

| Color           | Nominal inductance (uH) |            |            |           |
|-----------------|-------------------------|------------|------------|-----------|
|                 | 1st Figure              | 2nd Figure | Multiplier | Tolerance |
| <b>Black</b> 黑  | 0                       |            | ×1         | ±20%      |
| <b>Brown</b> 棕  | 1                       |            | ×10        | —         |
| <b>Red</b> 红    | 2                       |            | ×100       | —         |
| <b>Orange</b> 橙 | 3                       |            | ×1000      | —         |
| <b>Yellow</b> 黄 | 4                       |            | —          | —         |
| <b>Green</b> 绿  | 5                       |            | —          | —         |
| <b>Blue</b> 蓝   | 6                       |            | —          | —         |
| <b>Violet</b> 紫 | 7                       |            | —          | —         |
| <b>Gray</b> 灰   | 8                       |            | —          | —         |
| <b>White</b> 白  | 9                       |            | —          | —         |
| <b>Gold</b> 金   | —                       |            | ×0.1       | ±5%       |
| <b>Silver</b> 银 | —                       |            | ×0.01      | ±10%      |

## ■ YAL0307 Series

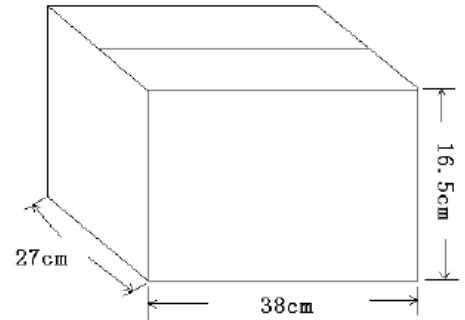
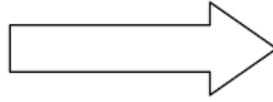
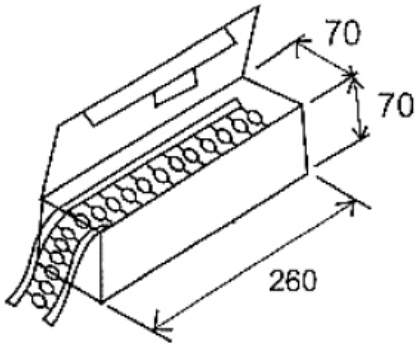
| Part Number  | Inductance<br>(uH) | Test Freq.<br>(MHz) | Q Min | SRF Min<br>(MHz) | DCR Max.<br>(Ω) | Rated<br>Current(mA) |
|--------------|--------------------|---------------------|-------|------------------|-----------------|----------------------|
| YAL0307-R10□ | 0.10               | 25.2                | 40    | 480              | 0.06            | 1400                 |
| YAL0307-R12□ | 0.12               | 25.2                | 40    | 450              | 0.06            | 1350                 |
| YAL0307-R15□ | 0.15               | 25.2                | 40    | 420              | 0.07            | 1270                 |
| YAL0307-R18□ | 0.18               | 25.2                | 40    | 400              | 0.07            | 1200                 |
| YAL0307-R22□ | 0.22               | 25.2                | 40    | 380              | 0.08            | 1150                 |
| YAL0307-R33□ | 0.33               | 25.2                | 40    | 350              | 0.10            | 1110                 |
| YAL0307-R39□ | 0.39               | 25.2                | 40    | 320              | 0.10            | 1000                 |
| YAL0307-R47□ | 0.47               | 25.2                | 40    | 300              | 0.11            | 1000                 |
| YAL0307-R68□ | 0.68               | 25.2                | 40    | 250              | 0.13            | 900                  |
| YAL0307-R82□ | 0.82               | 25.2                | 40    | 200              | 0.14            | 900                  |
| YAL0307-1R0□ | 1.0                | 25.2                | 40    | 180              | 0.15            | 815                  |
| YAL0307-1R2□ | 1.2                | 7.96                | 40    | 165              | 0.18            | 740                  |
| YAL0307-1R5□ | 1.5                | 7.96                | 40    | 150              | 0.20            | 700                  |
| YAL0307-1R8□ | 1.8                | 7.96                | 50    | 125              | 0.23            | 655                  |
| YAL0307-2R2□ | 2.2                | 7.96                | 50    | 110              | 0.25            | 630                  |
| YAL0307-3R3□ | 3.3                | 7.96                | 50    | 70               | 0.30            | 575                  |
| YAL0307-3R9□ | 3.9                | 7.96                | 50    | 65               | 0.32            | 555                  |
| YAL0307-4R7□ | 4.7                | 7.96                | 50    | 50               | 0.35            | 530                  |
| YAL0307-6R8□ | 6.8                | 7.96                | 50    | 30               | 0.45            | 470                  |
| YAL0307-8R2□ | 8.2                | 7.96                | 50    | 28               | 0.56            | 425                  |
| YAL0307-100□ | 10                 | 7.96                | 50    | 22               | 0.75            | 370                  |
| YAL0307-120□ | 12                 | 2.52                | 50    | 20               | 0.80            | 350                  |
| YAL0307-150□ | 15                 | 2.52                | 50    | 16               | 0.93            | 335                  |
| YAL0307-180□ | 18                 | 2.52                | 50    | 15               | 1.00            | 315                  |
| YAL0307-220□ | 22                 | 2.52                | 50    | 13               | 1.20            | 285                  |

## ■ YAL0307 Series

| Part Number  | Inductance<br>(uH) | Test Freq.<br>(MHz) | Q Min | SRF Min<br>(MHz) | DCR Max.<br>(Ω) | Rated<br>Current(mA) |
|--------------|--------------------|---------------------|-------|------------------|-----------------|----------------------|
| YAL0307-270□ | 27                 | 2.52                | 50    | 11               | 1.80            | 270                  |
| YAL0307-330□ | 33                 | 2.52                | 50    | 10               | 2.10            | 255                  |
| YAL0307-390□ | 39                 | 2.52                | 50    | 9.5              | 2.30            | 240                  |
| YAL0307-470□ | 47                 | 2.52                | 50    | 8.5              | 2.60            | 205                  |
| YAL0307-560□ | 56                 | 2.52                | 50    | 7.5              | 2.90            | 195                  |
| YAL0307-680□ | 68                 | 2.52                | 50    | 6.5              | 3.30            | 185                  |
| YAL0307-820□ | 82                 | 2.52                | 50    | 6.0              | 3.80            | 175                  |
| YAL0307-101□ | 100                | 2.52                | 50    | 5.5              | 4.20            | 165                  |
| YAL0307-121□ | 120                | 0.796               | 60    | 5.4              | 4.70            | 160                  |
| YAL0307-151□ | 150                | 0.796               | 60    | 5.0              | 5.50            | 150                  |
| YAL0307-221□ | 220                | 0.796               | 60    | 4.0              | 6.50            | 130                  |
| YAL0307-331□ | 330                | 0.796               | 60    | 2.6              | 9.50            | 100                  |
| YAL0307-471□ | 470                | 0.796               | 60    | 2.4              | 12.5            | 90                   |
| YAL0307-561□ | 560                | 0.796               | 60    | 2.1              | 13.0            | 85                   |
| YAL0307-681□ | 680                | 0.796               | 60    | 2.0              | 18.0            | 75                   |
| YAL0307-821□ | 820                | 0.796               | 60    | 19               | 23.0            | 65                   |
| YAL0307-102□ | 1000               | 0.796               | 50    | 1.1              | 30.0            | 60                   |

※ Design as Customer's Requested Specifications.

**■ Package Specification (Unit:mm)**



| TYPE    | Packaging Materials | Reference Dimension | Material | Quantity/Box | Quantity/Carton |
|---------|---------------------|---------------------|----------|--------------|-----------------|
| YAL0307 | Box                 | 206x70x70(mm)       | B5B-E    | 2000 PCS     | 20000 PCS       |

## X-ON Electronics

Largest Supplier of Electrical and Electronic Components

*Click to view similar products for [Fixed Inductors](#) category:*

*Click to view products by [YJYCOIN](#) manufacturer:*

Other Similar products are found below :

[CR32NP-151KC](#) [CR32NP-180KC](#) [CR32NP-181KC](#) [CR32NP-1R5MC](#) [CR32NP-390KC](#) [CR32NP-3R9MC](#) [CR32NP-680KC](#) [CR32NP-820KC](#) [CR32NP-8R2MC](#) [CR43NP-390KC](#) [CR43NP-560KC](#) [CR43NP-680KC](#) [CR54NP-181KC](#) [CR54NP-470LC](#) [CR54NP-820KC](#) [CR54NP-8R5MC](#) [70F224AI](#) [MGDQ4-00004-P](#) [MHL1ECTTP18NJ](#) [MHQ1005P10NJ](#) [MHQ1005P1N0S](#) [MHQ1005P2N4S](#) [MHQ1005P3N6S](#) [MHQ1005P5N1S](#) [MHQ1005P8N2J](#) [PE-51506NL](#) [PE-53601NL](#) [PE-53602NL](#) [PE-53630NL](#) [PE-53824SNLT](#) [PE-92100NL](#) [PG0434.801NLT](#) [PG0936.113NLT](#) [9220-20](#) [9310-16](#) [PM06-2N7](#) [PM06-39NJ](#) [A01TK](#) [1206CS-471XJ](#) [HC2LP-R47-R](#) [HC2-R47-R](#) [HC3-2R2-R](#) [HCF1305-3R3-R](#) [1206CS-151XG](#) [RCH664NP-140L](#) [RCH664NP-4R7M](#) [RCH8011NP-221L](#) [RCP1317NP-332L](#) [RCP1317NP-391L](#) [RCR1010NP-470M](#)