

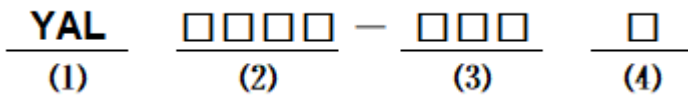
**■ Features**

- Low cost and high reliability.
- Coating epoxy resin that ensures the humidity resistance to be long life.
- Design to be compact,small and light-weight,wide range of inductance.
- Contibute to be high Q and self-resonent frequencies.
- Tapping type that is convenient for automatic insertion.

**■ Applications**

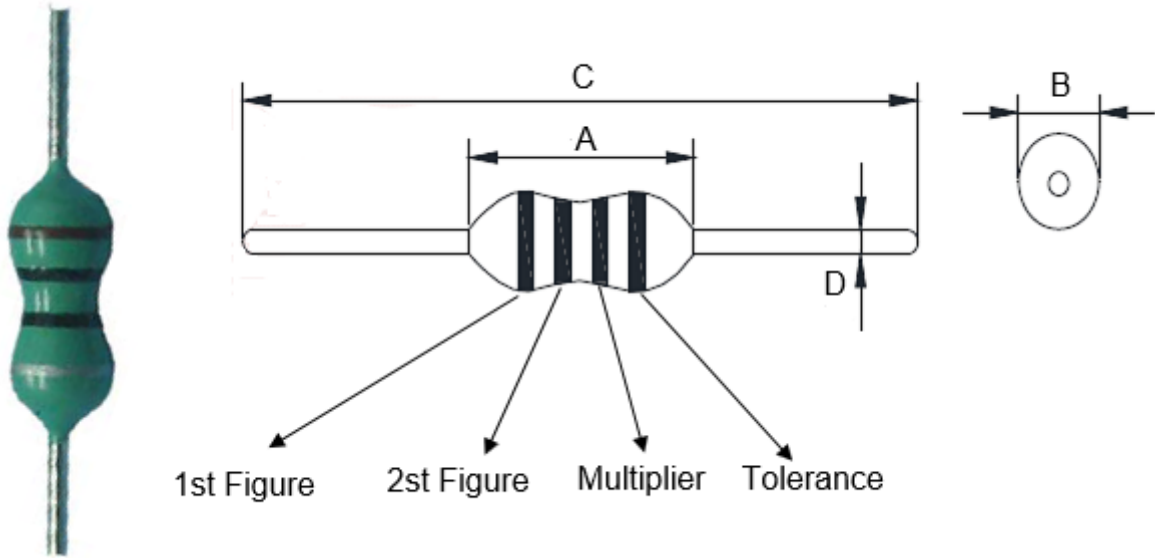
- Electronics products.
- Communication equipment.
- Computer Devices.
- TV,VCR and radios.

**■ Product Identification**



- (1) : Type
- (2) : Dimensions
- (3) : Inductance value
- (4) : Inductance Tolerance : N=±30%,M=±20% , K=±10% , J=±5%

**Shapes and Dimensions (Unit: mm)**



TYPE	A Max.	B Max.	C	D
YAL0307	8.0	3.0	62.0±2.0	0.50±0.05

**Color Coding**

Color	Nominal inductance (uH)			
	1st Figure	2nd Figure	Multiplier	Tolerance
<b>Black</b> 黑	0		×1	±20%
<b>Brown</b> 棕	1		×10	—
<b>Red</b> 红	2		×100	—
<b>Orange</b> 橙	3		×1000	—
<b>Yellow</b> 黄	4		—	—
<b>Green</b> 绿	5		—	—
<b>Blue</b> 蓝	6		—	—
<b>Violet</b> 紫	7		—	—
<b>Gray</b> 灰	8		—	—
<b>White</b> 白	9		—	—
<b>Gold</b> 金	—		×0.1	±5%
<b>Silver</b> 银	—		×0.01	±10%

## ■ YAL0307 Series

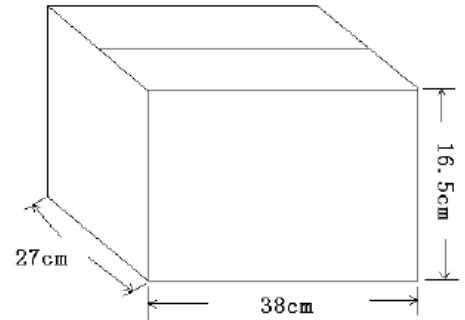
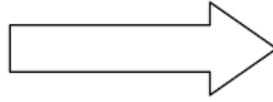
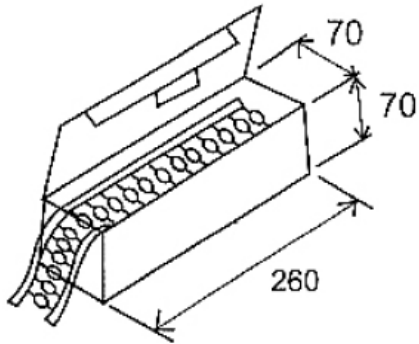
Part Number	Inductance (uH)	Test Freq. (MHz)	Q Min	SRF Min (MHz)	DCR Max. (Ω)	Rated Current(mA)
YAL0307-R10□	0.10	25.2	40	480	0.06	1400
YAL0307-R12□	0.12	25.2	40	450	0.06	1350
YAL0307-R15□	0.15	25.2	40	420	0.07	1270
YAL0307-R18□	0.18	25.2	40	400	0.07	1200
YAL0307-R22□	0.22	25.2	40	380	0.08	1150
YAL0307-R33□	0.33	25.2	40	350	0.10	1110
YAL0307-R39□	0.39	25.2	40	320	0.10	1000
YAL0307-R47□	0.47	25.2	40	300	0.11	1000
YAL0307-R68□	0.68	25.2	40	250	0.13	900
YAL0307-R82□	0.82	25.2	40	200	0.14	900
YAL0307-1R0□	1.0	25.2	40	180	0.15	815
YAL0307-1R2□	1.2	7.96	40	165	0.18	740
YAL0307-1R5□	1.5	7.96	40	150	0.20	700
YAL0307-1R8□	1.8	7.96	50	125	0.23	655
YAL0307-2R2□	2.2	7.96	50	110	0.25	630
YAL0307-3R3□	3.3	7.96	50	70	0.30	575
YAL0307-3R9□	3.9	7.96	50	65	0.32	555
YAL0307-4R7□	4.7	7.96	50	50	0.35	530
YAL0307-6R8□	6.8	7.96	50	30	0.45	470
YAL0307-8R2□	8.2	7.96	50	28	0.56	425
YAL0307-100□	10	7.96	50	22	0.75	370
YAL0307-120□	12	2.52	50	20	0.80	350
YAL0307-150□	15	2.52	50	16	0.93	335
YAL0307-180□	18	2.52	50	15	1.00	315
YAL0307-220□	22	2.52	50	13	1.20	285

## ■ YAL0307 Series

Part Number	Inductance (uH)	Test Freq. (MHz)	Q Min	SRF Min (MHz)	DCR Max. (Ω)	Rated Current(mA)
YAL0307-270□	27	2.52	50	11	1.80	270
YAL0307-330□	33	2.52	50	10	2.10	255
YAL0307-390□	39	2.52	50	9.5	2.30	240
YAL0307-470□	47	2.52	50	8.5	2.60	205
YAL0307-560□	56	2.52	50	7.5	2.90	195
YAL0307-680□	68	2.52	50	6.5	3.30	185
YAL0307-820□	82	2.52	50	6.0	3.80	175
YAL0307-101□	100	2.52	50	5.5	4.20	165
YAL0307-121□	120	0.796	60	5.4	4.70	160
YAL0307-151□	150	0.796	60	5.0	5.50	150
YAL0307-221□	220	0.796	60	4.0	6.50	130
YAL0307-331□	330	0.796	60	2.6	9.50	100
YAL0307-471□	470	0.796	60	2.4	12.5	90
YAL0307-561□	560	0.796	60	2.1	13.0	85
YAL0307-681□	680	0.796	60	2.0	18.0	75
YAL0307-821□	820	0.796	60	19	23.0	65
YAL0307-102□	1000	0.796	50	1.1	30.0	60

※ Design as Customer's Requested Specifications.

**■ Package Specification (Unit:mm)**



TYPE	Packaging Materials	Reference Dimension	Material	Quantity/Box	Quantity/Carton
YAL0307	Box	206x70x70(mm)	B5B-E	2000 PCS	20000 PCS

## X-ON Electronics

Largest Supplier of Electrical and Electronic Components

*Click to view similar products for [Fixed Inductors](#) category:*

*Click to view products by [YJYCOIN](#) manufacturer:*

Other Similar products are found below :

[CR32NP-151KC](#) [CR32NP-180KC](#) [CR32NP-181KC](#) [CR32NP-1R5MC](#) [CR32NP-390KC](#) [CR32NP-3R9MC](#) [CR32NP-680KC](#) [CR32NP-820KC](#) [CR32NP-8R2MC](#) [CR43NP-390KC](#) [CR43NP-560KC](#) [CR43NP-680KC](#) [CR54NP-181KC](#) [CR54NP-470LC](#) [CR54NP-820KC](#) [CR54NP-8R5MC](#) [70F224AI](#) [MGDQ4-00004-P](#) [MHL1ECTTP18NJ](#) [MHQ1005P10NJ](#) [MHQ1005P1N0S](#) [MHQ1005P2N4S](#) [MHQ1005P3N6S](#) [MHQ1005P5N1S](#) [MHQ1005P8N2J](#) [PE-51506NL](#) [PE-53601NL](#) [PE-53602NL](#) [PE-53630NL](#) [PE-53824SNLT](#) [PE-92100NL](#) [PG0434.801NLT](#) [PG0936.113NLT](#) [9220-20](#) [9310-16](#) [PM06-2N7](#) [PM06-39NJ](#) [A01TK](#) [1206CS-471XJ](#) [HC2LP-R47-R](#) [HC2-R47-R](#) [HC3-2R2-R](#) [HCF1305-3R3-R](#) [1206CS-151XG](#) [RCH664NP-140L](#) [RCH664NP-4R7M](#) [RCH8011NP-221L](#) [RCP1317NP-332L](#) [RCP1317NP-391L](#) [RCR1010NP-470M](#)