

■ Features

- Low cost and high reliability.
- Coating epoxy resin that ensures the humidity resistance to be long life.
- Design to be compact,small and light-weight,wide range of inductance.
- Contibute to be high Q and self-resonent frequencies.
- Tapping type that is convenient for automatic insertion.

■ Applications

- Electronics products.
- Communication equipment.
- Computer Devices.
- TV,VCR and radios.

■ Product Identification



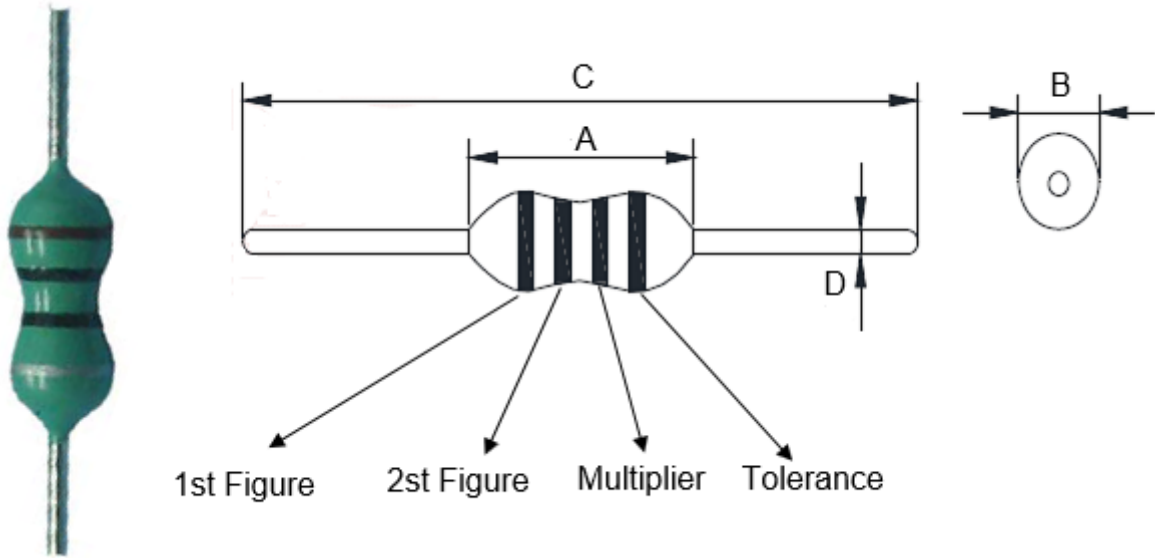
(1) : Type

(2) : Dimensions

(3) : Inductance value

(4) : Inductance Tolerance : N=±30%,M=±20% , K=±10% , J=±5%

Shapes and Dimensions (Unit: mm)



TYPE	A Max.	B Max.	C	D
YAL0410	11.0	4.0	62.0±2.0	0.60±0.05

Color Coding

Color	Nominal inductance (uH)			
	1st Figure	2nd Figure	Multiplier	Tolerance
Black 黑	0		×1	±20%
Brown 棕	1		×10	—
Red 红	2		×100	—
Orange 橙	3		×1000	—
Yellow 黄	4		—	—
Green 绿	5		—	—
Blue 蓝	6		—	—
Violet 紫	7		—	—
Gray 灰	8		—	—
White 白	9		—	—
Gold 金	—		×0.1	±5%
Silver 银	—		×0.01	±10%

■ YAL0410 Series

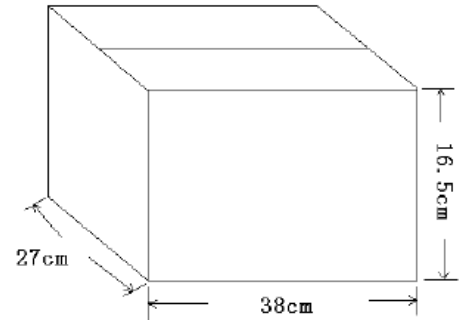
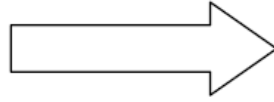
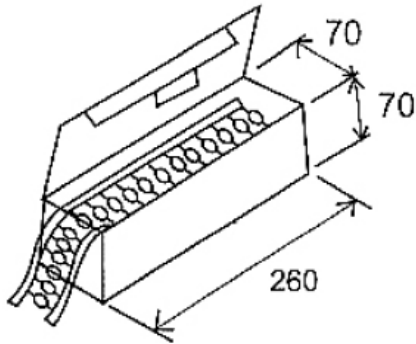
Part Number	Inductance (uH)	Test Freq. (MHz)	Q Min	SRF Min (MHz)	DCR Max. (Ω)	Rated Current(mA)
YAL0410-R10□	0.10	25.2	25	480	0.06	1700
YAL0410-R15□	0.15	25.2	25	420	0.07	1560
YAL0410-R18□	0.18	25.2	25	400	0.07	1480
YAL0410-R22□	0.22	25.2	25	380	0.08	1400
YAL0410-R33□	0.33	25.2	25	300	0.10	1280
YAL0410-R39□	0.39	25.2	25	280	0.12	1200
YAL0410-R47□	0.47	25.2	25	250	0.13	1150
YAL0410-R68□	0.68	25.2	25	210	0.15	1030
YAL0410-R82□	0.82	25.2	45	172	0.16	980
YAL0410-1R0□	1.0	25.2	45	157	0.17	920
YAL0410-1R5□	1.5	7.96	50	131	0.20	830
YAL0410-1R8□	1.8	7.96	55	121	0.22	790
YAL0410-2R2□	2.2	7.96	55	110	0.24	750
YAL0410-2R7□	2.7	7.96	55	100	0.30	720
YAL0410-3R3□	3.3	7.96	65	94	0.30	670
YAL0410-3R9□	3.9	7.96	65	86	0.35	640
YAL0410-4R7□	4.7	7.96	70	80	0.40	620
YAL0410-6R8□	6.8	7.96	75	68	0.50	550
YAL0410-8R2□	8.2	7.96	80	53	0.60	530
YAL0410-100□	10	7.96	80	45	0.65	500
YAL0410-120□	12	2.52	70	35	0.70	480
YAL0410-150□	15	2.52	70	20	0.75	460
YAL0410-180□	18	2.52	65	14	0.80	430
YAL0410-220□	22	2.52	50	9.9	0.90	410
YAL0410-270□	27	2.52	55	7.6	1.00	390
YAL0410-330□	33	2.52	55	6.3	1.10	370

■ YAL0410 Series

Part Number	Inductance (uH)	Test Freq. (MHz)	Q Min	SRF Min (MHz)	DCR Max. (Ω)	Rated Current(mA)
YAL0410-390□	39	2.52	50	6.3	1.20	350
YAL0410-470□	47	2.52	45	6.3	1.30	340
YAL0410-680□	68	2.52	40	5.7	1.80	305
YAL0410-820□	82	2.52	35	5.3	2.00	290
YAL0410-101□	100	2.52	30	4.8	2.50	275
YAL0410-151□	150	0.796	70	4.2	3.50	175
YAL0410-181□	180	0.796	70	3.3	4.60	165
YAL0410-221□	220	0.796	70	3.0	5.10	155
YAL0410-331□	330	0.796	65	2.6	6.50	137
YAL0410-391□	390	0.796	65	2.4	7.50	133
YAL0410-471□	470	0.796	60	2.2	8.50	126
YAL0410-561□	560	0.796	60	2.1	9.50	120
YAL0410-681□	680	0.796	55	1.9	12.0	113
YAL0410-821□	820	0.796	55	1.8	14.0	105
YAL0410-102□	1000	0.796	50	1.4	20.0	85
YAL0410-152□	1500	0.252	30	1.0	25.0	60
YAL0410-202□	2000	0.252	30	0.9	45.0	50
YAL0410-222□	2200	0.252	30	0.8	45.0	50

※ Design as Customer's Requested Specifications.

■ Package Specification (Unit:mm)



TYPE	Packaging Materials	Reference Dimension	Material	Quantity/Box	Quantity/Carton
YAL0410	Box	206x70x70(mm)	B5B-E	1500 PCS	15000 PCS

X-ON Electronics

Largest Supplier of Electrical and Electronic Components

Click to view similar products for [Fixed Inductors](#) category:

Click to view products by [YJYCOIN](#) manufacturer:

Other Similar products are found below :

[CR32NP-151KC](#) [CR32NP-180KC](#) [CR32NP-181KC](#) [CR32NP-1R5MC](#) [CR32NP-390KC](#) [CR32NP-3R9MC](#) [CR32NP-680KC](#) [CR32NP-820KC](#) [CR32NP-8R2MC](#) [CR43NP-390KC](#) [CR43NP-560KC](#) [CR43NP-680KC](#) [CR54NP-181KC](#) [CR54NP-470LC](#) [CR54NP-820KC](#) [CR54NP-8R5MC](#) [70F224AI](#) [MGDQ4-00004-P](#) [MHL1ECTTP18NJ](#) [MHQ1005P10NJ](#) [MHQ1005P1N0S](#) [MHQ1005P2N4S](#) [MHQ1005P3N6S](#) [MHQ1005P5N1S](#) [MHQ1005P8N2J](#) [PE-51506NL](#) [PE-53601NL](#) [PE-53602NL](#) [PE-53630NL](#) [PE-53824SNLT](#) [PE-92100NL](#) [PG0434.801NLT](#) [PG0936.113NLT](#) [9220-20](#) [9310-16](#) [PM06-2N7](#) [PM06-39NJ](#) [A01TK](#) [1206CS-471XJ](#) [HC2LP-R47-R](#) [HC2-R47-R](#) [HC3-2R2-R](#) [HCF1305-3R3-R](#) [1206CS-151XG](#) [RCH664NP-140L](#) [RCH664NP-4R7M](#) [RCH8011NP-221L](#) [RCP1317NP-332L](#) [RCP1317NP-391L](#) [RCR1010NP-470M](#)