

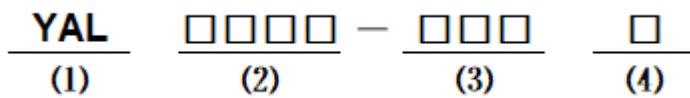
■ Features

- Low cost and high reliability.
- Coating epoxy resin that ensures the humidity resistance to be long life.
- Design to be compact,small and light-weight,wide range of inductance.
- Contibute to be high Q and self-resonent frequencies.
- Tapping type that is convenient for automatic insertion.

■ Applications

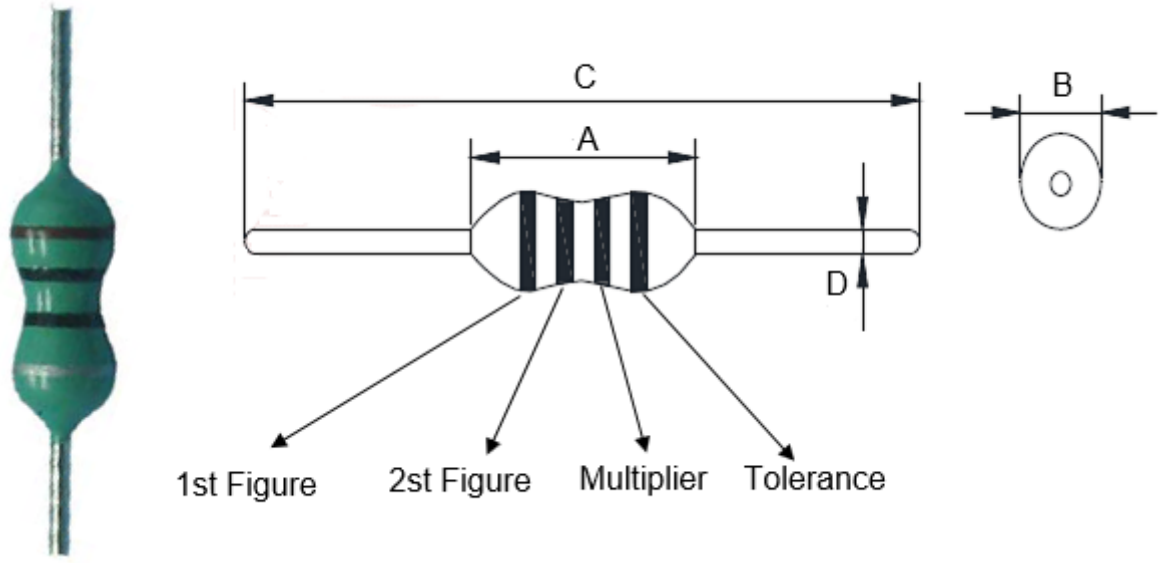
- Electronics products.
- Communication equipment.
- Computer Devices.
- TV,VCR and radios.

■ Product Identification



- (1) : Type
- (2) : Dimensions
- (3) : Inductance value
- (4) : Inductance Tolerance : N=±30%,M=±20% , K=±10% , J=±5%

Shapes and Dimensions (Unit: mm)



TYPE	A Max.	B Max.	C	D
YAL0510	12.0	5.0	62.0±2.0	0.60±0.05

Color Coding

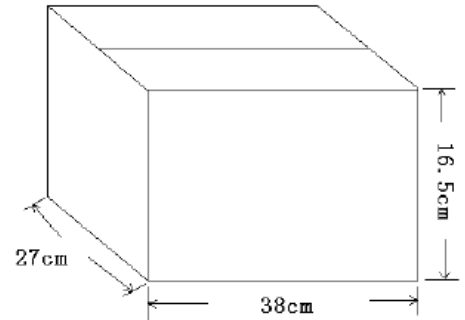
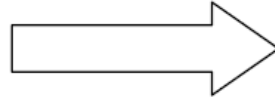
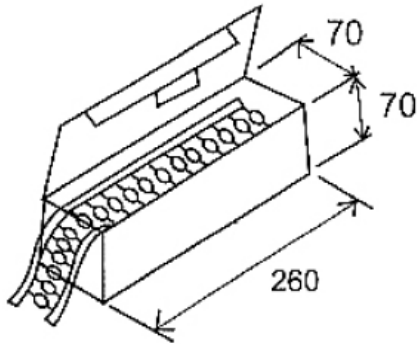
Color	Nominal inductance (uH)			
	1st Figure	2nd Figure	Multiplier	Tolerance
Black 黑	0		×1	±20%
Brown 棕	1		×10	—
Red 红	2		×100	—
Orange 橙	3		×1000	—
Yellow 黄	4		—	—
Green 绿	5		—	—
Blue 蓝	6		—	—
Violet 紫	7		—	—
Gray 灰	8		—	—
White 白	9		—	—
Gold 金	—		×0.1	±5%
Silver 银	—		×0.01	±10%

■ YAL0510 Series

Part Number	L(uH)	Test Freq. (MHz)	Q Min	SRF Min (MHz)	DCR Max. (Ω)	Rated Current(mA)
YAL0510-471□	470	0.796	60	1.90	7.70	126
YAL0510-561□	560	0.796	50	1.80	8.50	120
YAL0510-681□	680	0.796	55	1.50	9.00	113
YAL0510-821□	820	0.796	45	1.20	10.5	105
YAL0510-102□	1000	0.252	40	1.00	14.0	100
YAL0510-122□	1200	0.252	40	0.95	16.9	95
YAL0510-152□	1500	0.252	40	0.90	21.6	90
YAL0510-182□	1800	0.252	40	0.85	24.0	85
YAL0510-222□	2200	0.252	40	0.80	34.7	80
YAL0510-272□	2700	0.252	40	0.75	40.0	75
YAL0510-332□	3300	0.252	40	0.70	59.5	62
YAL0510-392□	3900	0.252	40	0.65	66.0	59
YAL0510-472□	4700	0.252	40	0.60	74.0	55
YAL0510-562□	5600	0.252	30	0.50	80.0	40
YAL0510-682□	6800	0.252	30	0.45	85.0	35
YAL0510-822□	8200	0.252	30	0.40	95.0	30
YAL0510-103□	10000	0.252	20	0.35	105	25

※ Design as Customer's Requested Specifications.

■ Package Specification (Unit:mm)



TYPE	Packaging Materials	Reference Dimension	Material	Quantity/Box	Quantity/Carton
YAL0510	Box	206x70x70(mm)	B5B-E	1000 PCS	10000 PCS

X-ON Electronics

Largest Supplier of Electrical and Electronic Components

Click to view similar products for [Fixed Inductors](#) category:

Click to view products by [YJYCOIN](#) manufacturer:

Other Similar products are found below :

[CR32NP-151KC](#) [CR32NP-180KC](#) [CR32NP-181KC](#) [CR32NP-1R5MC](#) [CR32NP-390KC](#) [CR32NP-3R9MC](#) [CR32NP-680KC](#) [CR32NP-820KC](#) [CR32NP-8R2MC](#) [CR43NP-390KC](#) [CR43NP-560KC](#) [CR43NP-680KC](#) [CR54NP-181KC](#) [CR54NP-470LC](#) [CR54NP-820KC](#) [CR54NP-8R5MC](#) [70F224AI](#) [MGDQ4-00004-P](#) [MHL1ECTTP18NJ](#) [MHQ1005P10NJ](#) [MHQ1005P1N0S](#) [MHQ1005P2N4S](#) [MHQ1005P3N6S](#) [MHQ1005P5N1S](#) [MHQ1005P8N2J](#) [PE-51506NL](#) [PE-53601NL](#) [PE-53602NL](#) [PE-53630NL](#) [PE-53824SNLT](#) [PE-92100NL](#) [PG0434.801NLT](#) [PG0936.113NLT](#) [9220-20](#) [9310-16](#) [PM06-2N7](#) [PM06-39NJ](#) [A01TK](#) [1206CS-471XJ](#) [HC2LP-R47-R](#) [HC2-R47-R](#) [HC3-2R2-R](#) [HCF1305-3R3-R](#) [1206CS-151XG](#) [RCH664NP-140L](#) [RCH664NP-4R7M](#) [RCH8011NP-221L](#) [RCP1317NP-332L](#) [RCP1317NP-391L](#) [RCR1010NP-470M](#)