

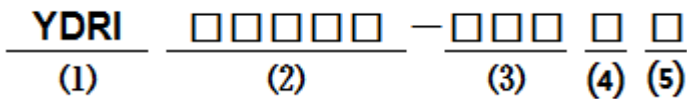
■ Features

- General purpose inductors.
- Use ferrite cores.
- High saturation current.
- Tinplated leads.
- Coated with varnish.
- Operating temperature: $-40^{\circ}\text{C} \sim +105^{\circ}\text{C}$.

■ Applications

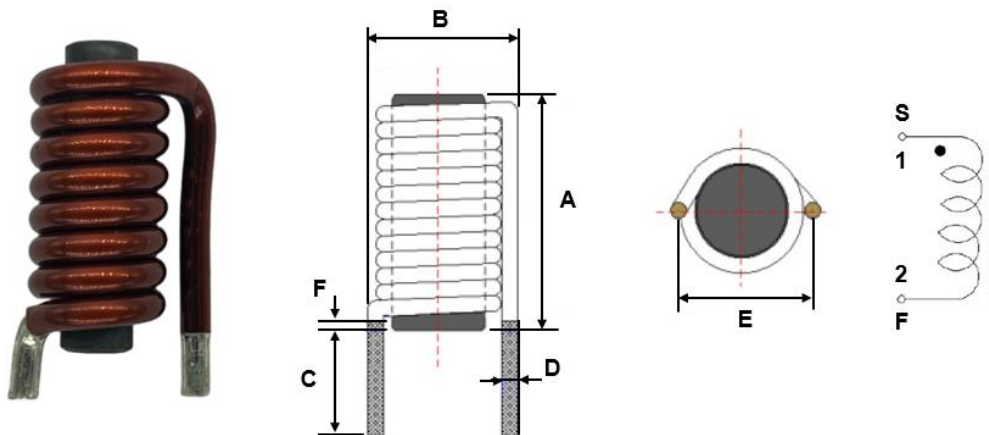
- Power supplies, Power amplifiers.
- SCR and triac circuits.
- Output chokes.
- Noise filters for switching regulators, Other filters.

■ Product Identification



- (1) : Type
- (2) : Dimensions
- (3) : Inductance value
- (4) : Inductance Tolerance : $N=\pm 30\%$, $M=\pm 20\%$, $K=\pm 10\%$
- (5) : Product Form

■ Shapes and Dimensions (Unit: mm)



TYPE	A Max.	B Max.	C	D	E	F
YDRI0625D	27.0	17.0	3.5 ± 0.5	2.5 ± 0.1	14.0 ± 1.0	0 ~ 2.5

■ Electrical specification

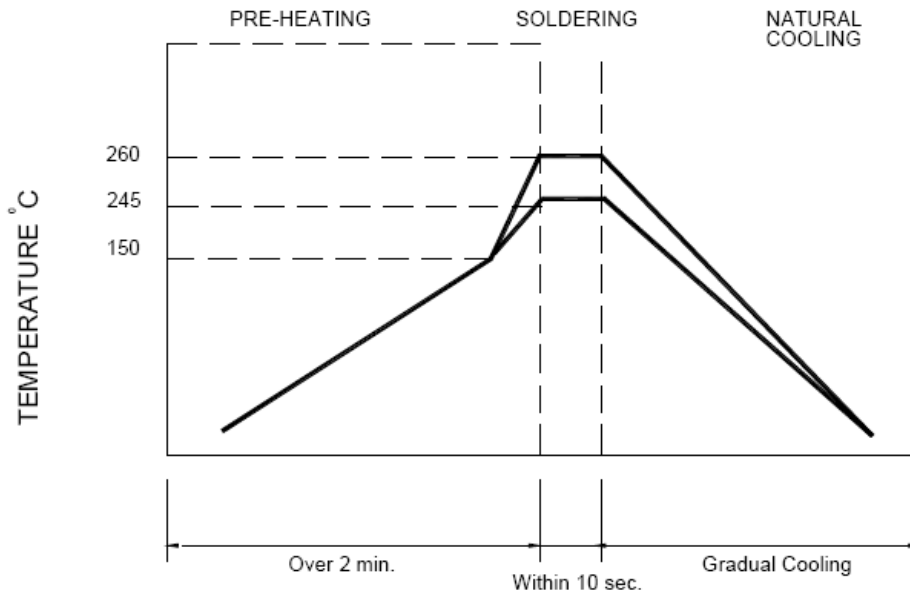
Part Number	Inductance (uH)	Test Frequency	Max.DCR (mΩ)	Isat (A)
YDRI0625D-1R2ML	1.2±20%	1KHz/0.25V	1.6	30

■ Test Data of Electrical Characteristic

Electrical Characteristic				Dimensions(mm)					
Test Item	L	DCR	Isat	A	B	C	D	E	F
CON.	1KHz/0.25V	25°C	L Drop≤10% 1KHz/0.25V						
Spec.	1.2uH±20%	1.6 mΩMax.	30A	27.0 Max.	17.0 Max.	3.5±0.5	2.5±0.1	14.0±1.0	0 ~ 2.5
1	1.32	0.81	OK	25.22	16.41	3.51	2.49	14.00	1.31
2	1.30	0.81	OK	25.27	16.13	3.76	2.49	13.49	1.00
3	1.30	0.80	OK	25.20	16.22	3.47	2.50	13.86	0.82
4	1.31	0.81	OK	25.18	16.07	3.62	2.50	14.31	1.36
5	1.31	0.81	OK	25.23	16.31	3.42	2.49	14.20	1.83
6									
7									
8									
9									
10									
X	1.31	0.81		25.22	16.23	3.56	2.49	13.97	1.26
R	0.02	0.01		0.09	0.34	0.34	0.01	0.82	1.01

■ Soldering Conditions

Wave Soldering:



Note:

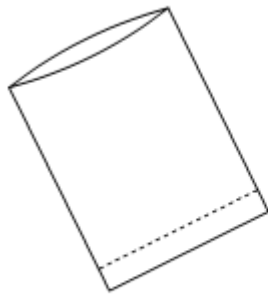
Never contact the ceramic with the iron tip

1.0mm tip diameter(max)

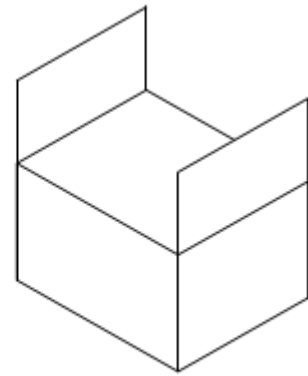
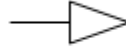
■ Material list

NO	ITEM	DESCRIPTION	SUPPLIER	RATING	UL FILE
1	Core	F2BP R 6×25	YU TONG		
		OR EQUIVALENT			
2	Wire	QZY-2 ϕ 2.5mm	JINYAN	180°C	E238500
		OR EQUIVALENT			
3	Epoxy	E506 Gray	EATTO		E218090
		OR EQUIVALENT			

■ Package specification



PE 袋



Type	Quantity(pcs)			Remark
	Bag	Inside box	Outer box	
YDRI0625D	100	1000	2000	

X-ON Electronics

Largest Supplier of Electrical and Electronic Components

Click to view similar products for [Fixed Inductors](#) category:

Click to view products by [YJYCOIN](#) manufacturer:

Other Similar products are found below :

[CR32NP-100KC](#) [CR54NP-470LC](#) [70F224AI](#) [MGDQ4-00004-P](#) [MHQ1005P10NJ](#) [MHQ1005P1N0S](#) [MHQ1005P2N4S](#) [MHQ1005P3N6S](#)
[MHQ1005P5N1S](#) [MHQ1005P8N2J](#) [PE-53601NL](#) [PE-53602NL](#) [PG0936.113NLT](#) [9220-20](#) [9310-16](#) [PM06-2N7](#) [PM06-39NJ](#) [A01TK](#)
[1206CS-471XJ](#) [HC2-R47-R](#) [HC8-1R2-R](#) [HCF1305-3R3-R](#) [1206CS-151XG](#) [RCH664NP-140L](#) [RCH664NP-4R7M](#) [RCP1317NP-391L](#)
[RCR110DNP-331L](#) [DH2280-4R7M](#) [DS1608C-106](#) [B10TJ](#) [B82498B3101J000](#) [ELJ-RE27NJF2](#) [1812CS-153XJ](#) [1812CS-183XJ](#) [1812CS-](#)
[223XJ](#) [1812LS-104XJ](#) [1812LS-105XJ](#) [1812LS-124XJ](#) [1812LS-154XJ](#) [1812LS-223XJ](#) [1812LS-224XJ](#) [1812LS-563XJ](#) [1812LS-683XJ](#)
[1812LS-824XJ](#) [NIN-FB101JTR110F](#) [NIN-FB471JTR62F](#) [NIN-FC1R5JTR220F](#) [NIN-HCR15JTRF](#) [NIN-HCR33JTRF](#) [NIN-HDR22JTRF](#)