

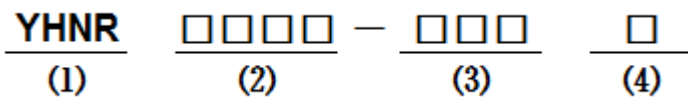
**■ Features**

- Low profile construction and miniature size.
- Magnetic shielded construction.
- High current saturation.
- Operating temperature:-40°C ~ +125°C.
- RoHS compliant

**■ Applications**

- For small DC/DC converter(HDD,DVC,DSC,PDA,LCD display etc.).
- Car navigation systems,telecom base stations.
- VR,AR,LED lighting.

**■ Product Identification**



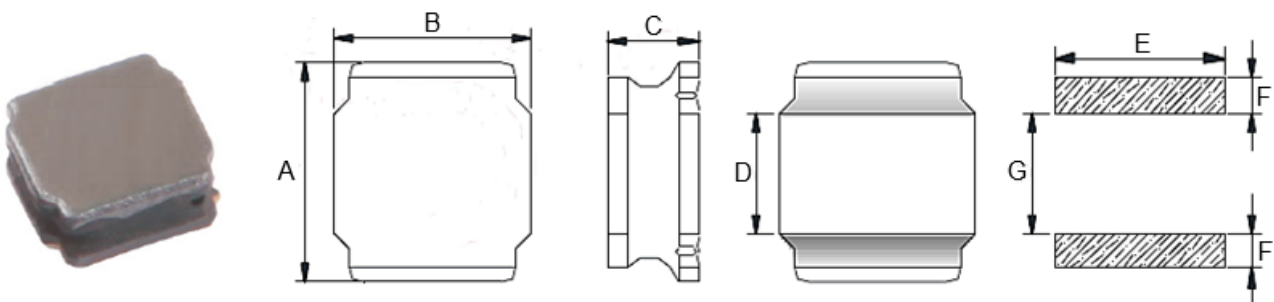
(1) : Type

(2) : Dimensions

(3) : Inductance value

(4) : Inductance Tolerance; N=±30%,M=±20%, K=±10%

**■ Shapes and Dimensions (Unit: mm)**



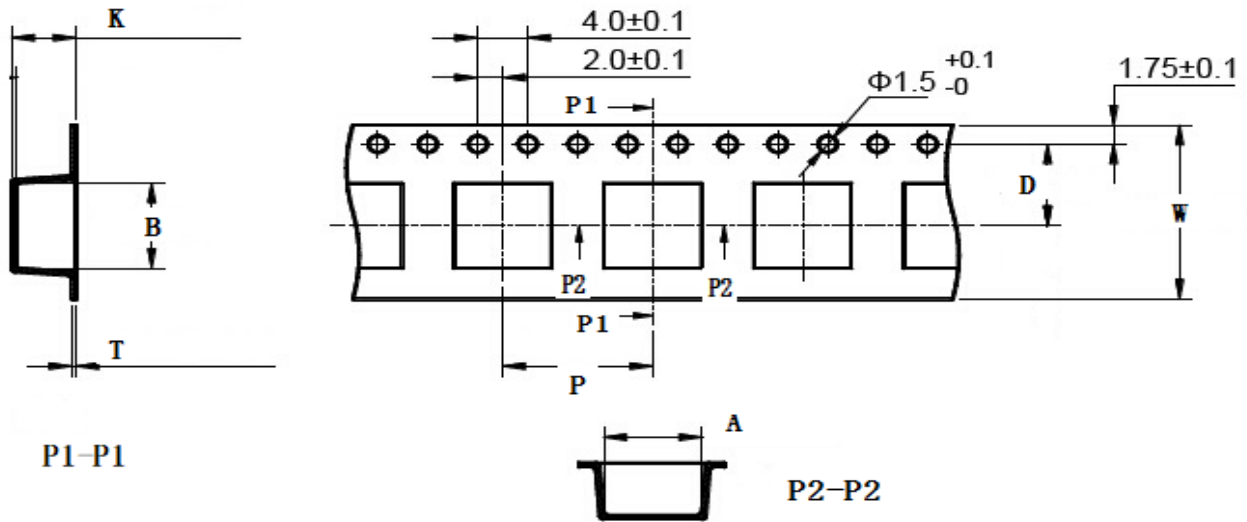
| TYPE     | A       | B       | C Max. | D        | E Ref. | F Ref. | G Ref. |
|----------|---------|---------|--------|----------|--------|--------|--------|
| YHNR2016 | 2.0±0.2 | 1.6±0.2 | 1.08   | 0.80±0.2 | 1.60   | 0.80   | 0.80   |

## ■ YHNR2016 Series

| Part Number   | Inductance<br>( $\mu$ H) @100KHz | DC Resistance ( $\Omega$ ) |       | Heat Rating<br>Current (A) | Saturation<br>Current (A) |
|---------------|----------------------------------|----------------------------|-------|----------------------------|---------------------------|
|               |                                  | Typ.                       | Max.  |                            |                           |
| YHNR2016-R24□ | 0.24                             | 0.033                      | 0.040 | 3.00                       | 4.50                      |
| YHNR2016-R33□ | 0.33                             | 0.041                      | 0.049 | 2.70                       | 4.40                      |
| YHNR2016-R47□ | 0.47                             | 0.041                      | 0.049 | 2.70                       | 4.06                      |
| YHNR2016-R56□ | 0.56                             | 0.043                      | 0.053 | 2.60                       | 3.80                      |
| YHNR2016-R68□ | 0.68                             | 0.057                      | 0.065 | 2.50                       | 3.50                      |
| YHNR2016-1R0□ | 1.00                             | 0.078                      | 0.095 | 2.00                       | 3.30                      |
| YHNR2016-1R5□ | 1.50                             | 0.110                      | 0.130 | 1.70                       | 1.95                      |
| YHNR2016-2R2□ | 2.20                             | 0.160                      | 0.180 | 1.40                       | 1.90                      |
| YHNR2016-3R3□ | 3.30                             | 0.245                      | 0.307 | 1.10                       | 1.40                      |
| YHNR2016-4R7□ | 4.70                             | 0.370                      | 0.425 | 0.90                       | 1.10                      |
| YHNR2016-6R8□ | 6.80                             | 0.500                      | 0.620 | 0.70                       | 0.95                      |
| YHNR2016-8R2□ | 8.20                             | 0.670                      | 0.870 | 0.66                       | 0.86                      |
| YHNR2016-100□ | 10.0                             | 0.700                      | 0.875 | 0.60                       | 0.80                      |
| YHNR2016-150□ | 15.0                             | 1.300                      | 1.700 | 0.36                       | 0.69                      |

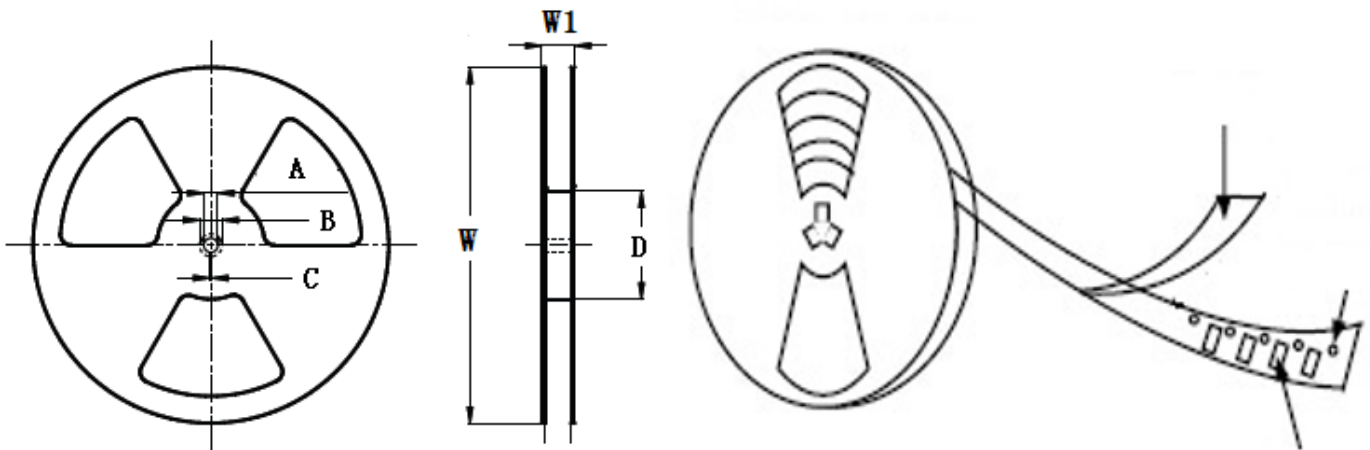
- ※ The saturation current value is the DC current value having inductance decrease down to 30%. (at 20°C)
- ※ The temperature rise current value is the DC current value having temperature increase up to 40°C. (at 20°C)
- ※ The rated current is the DC current value that satisfies both of current value saturation current value and temperature rise current value.

**■ Taping Dimensions(Unit:mm)**



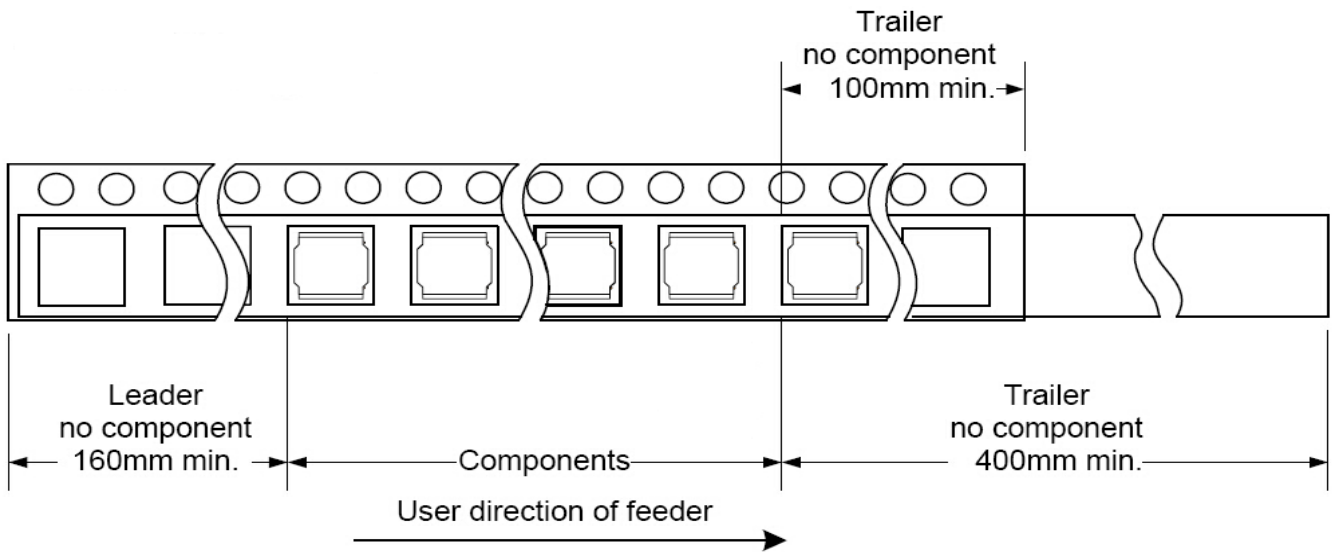
| TYPE     | Chip Thickness | W    | A    | B    | D    | P    | K Max | T Max | MPQ  |
|----------|----------------|------|------|------|------|------|-------|-------|------|
| YHNR2016 | 1.00           | 8.00 | 2.00 | 2.40 | 3.50 | 4.00 | 1.20  | 0.25  | 2000 |

**■ Reel Dimensions(Unit:mm)**

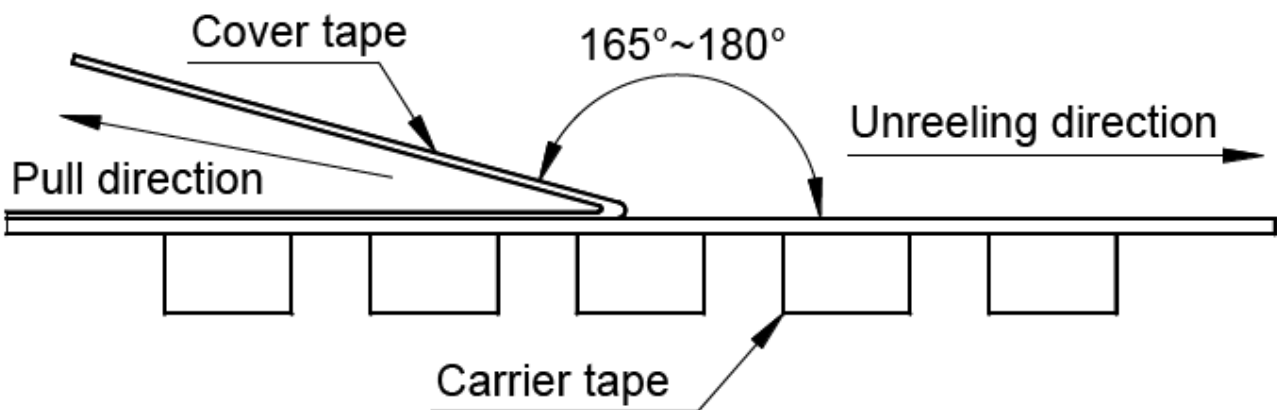


| TYPE     | W       | W1        | A        | B        | C        | D      |
|----------|---------|-----------|----------|----------|----------|--------|
| YHNR2016 | 178±2.0 | 8.40±1.50 | 4.3±0.20 | 5.0±0.10 | 3.0±0.10 | 58±2.0 |

**Direction of rolling**



**Cover tape peel off condition**



Cover tape peel force shall be 0.1N to 1.3N.

Reference peel speed 300±10mm/min.

## X-ON Electronics

Largest Supplier of Electrical and Electronic Components

*Click to view similar products for [Fixed Inductors](#) category:*

*Click to view products by [YJYCOIN](#) manufacturer:*

Other Similar products are found below :

[CR32NP-151KC](#) [CR32NP-180KC](#) [CR32NP-181KC](#) [CR32NP-1R5MC](#) [CR32NP-390KC](#) [CR32NP-3R9MC](#) [CR32NP-680KC](#) [CR32NP-820KC](#) [CR32NP-8R2MC](#) [CR43NP-390KC](#) [CR43NP-560KC](#) [CR43NP-680KC](#) [CR54NP-181KC](#) [CR54NP-470LC](#) [CR54NP-820KC](#) [CR54NP-8R5MC](#) [70F224AI](#) [MGDQ4-00004-P](#) [MHL1ECTTP18NJ](#) [MHQ1005P10NJ](#) [MHQ1005P1N0S](#) [MHQ1005P2N4S](#) [MHQ1005P3N6S](#) [MHQ1005P5N1S](#) [MHQ1005P8N2J](#) [PE-51506NL](#) [PE-53601NL](#) [PE-53602NL](#) [PE-53630NL](#) [PE-53824SNLT](#) [PE-92100NL](#) [PG0434.801NLT](#) [PG0936.113NLT](#) [9220-20](#) [9310-16](#) [PM06-2N7](#) [PM06-39NJ](#) [A01TK](#) [1206CS-471XJ](#) [HC2LP-R47-R](#) [HC2-R47-R](#) [HC3-2R2-R](#) [HCF1305-3R3-R](#) [1206CS-151XG](#) [RCH664NP-140L](#) [RCH664NP-4R7M](#) [RCH8011NP-221L](#) [RCP1317NP-332L](#) [RCP1317NP-391L](#) [RCR1010NP-470M](#)