

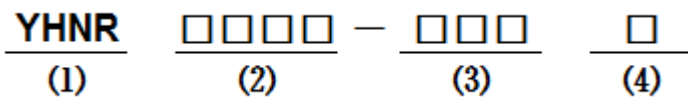
**■ Features**

- Low profile construction and miniature size.
- Magnetic shielded construction.
- High current saturation.
- Operating temperature: -40°C ~ +125°C.
- RoHS compliant

**■ Applications**

- For small DC/DC converter(HDD,DVC,DSC,PDA,LCD display etc.).
- Car navigation systems,telecom base stations.
- VR,AR,LED lighting.

**■ Product Identification**



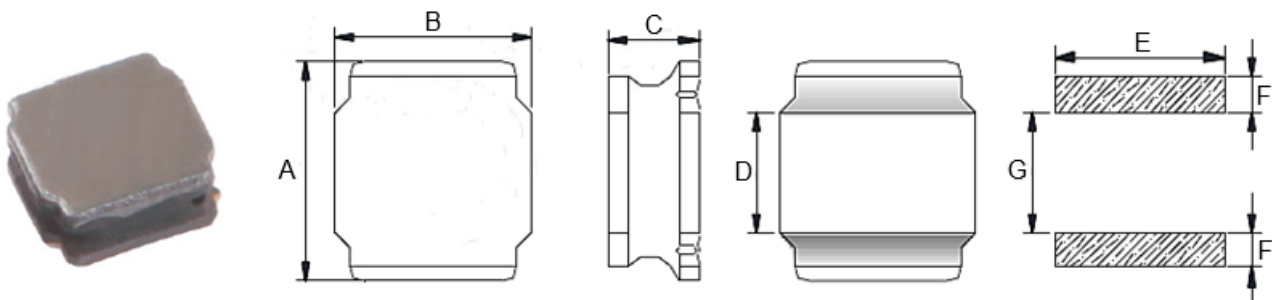
(1) : Type

(2) : Dimensions

(3) : Inductance value

(4) : Inductance Tolerance; N=±30%,M=±20%, K=±10%

**■ Shapes and Dimensions (Unit: mm)**



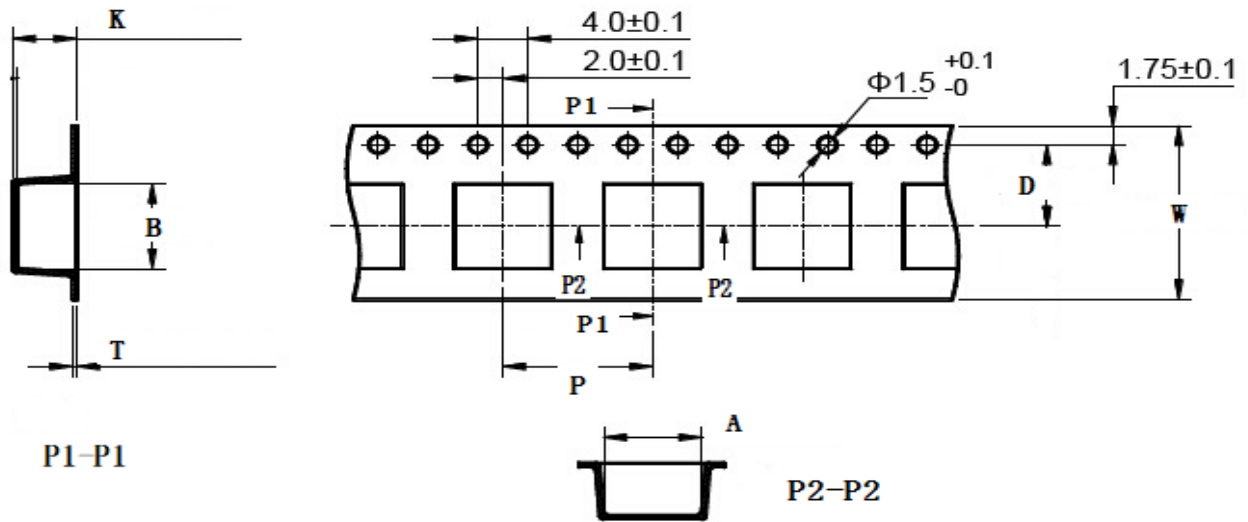
TYPE	A	B	C Max.	D	E Ref.	F Ref.	G Ref.
YHNR3015	3.0±0.2	3.0±0.2	1.55	1.4±0.3	2.70	0.80	1.50

## ■ YHNR3015 Series

Part Number	Inductance ( $\mu$ H) @100KHz	DC Resistance ( $\Omega$ )		Heat Rating Current (A)	Saturation Current (A)
		Typ.	Max.		
YHNR3015-R22□	0.22	0.016	0.019	5.00	8.80
YHNR3015-R24□	0.24	0.016	0.019	5.00	8.60
YHNR3015-R33□	0.33	0.016	0.021	4.90	8.00
YHNR3015-R47□	0.47	0.020	0.026	4.60	7.60
YHNR3015-R68□	0.68	0.028	0.037	3.80	7.00
YHNR3015-1R0□	1.00	0.037	0.048	3.30	5.80
YHNR3015-1R5□	1.50	0.055	0.072	2.20	4.60
YHNR3015-2R2□	2.20	0.074	0.095	2.20	3.70
YHNR3015-3R3□	3.30	0.110	0.150	2.00	3.40
YHNR3015-4R7□	4.70	0.150	0.185	1.70	2.50
YHNR3015-5R6□	5.60	0.190	0.250	1.50	2.20
YHNR3015-6R8□	6.80	0.245	0.320	1.20	2.00
YHNR3015-100□	10.0	0.350	0.450	1.10	1.60
YHNR3015-150□	15.0	0.460	0.610	1.10	1.45
YHNR3015-220□	22.0	0.700	0.910	0.56	1.00
YHNR3015-330□	33.0	0.970	1.260	0.50	0.90
YHNR3015-470□	47.0	1.450	1.900	0.42	0.80

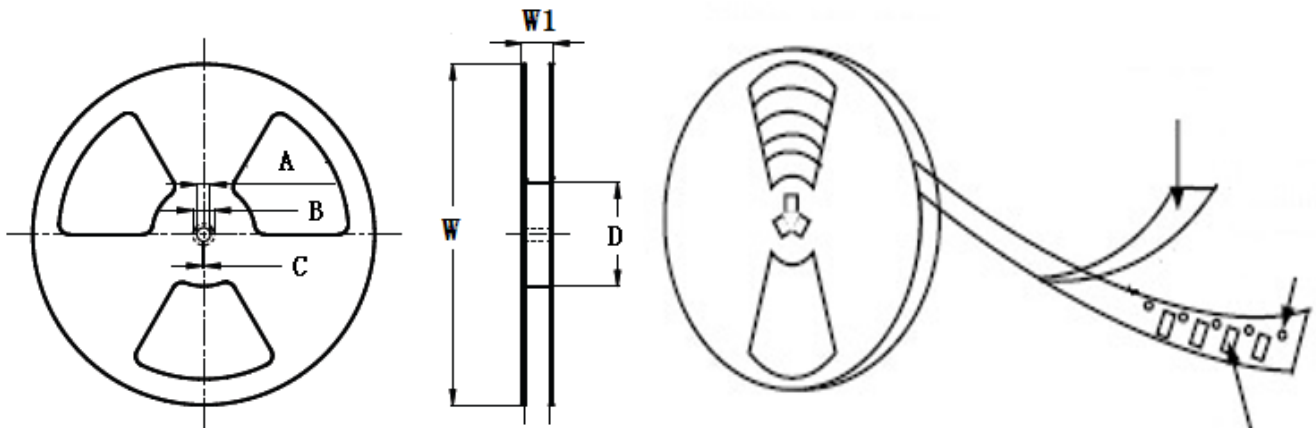
- ※ The saturation current value is the DC current value having inductance decrease down to 30%.(at 20°C)
- ※ The temperature rise current value is the DC current value having temperature increase up to 40°C. (at 20°C)
- ※ The rated current is the DC current value that satisfies both of current value saturation current value and temperature rise current value.

**■ Taping Dimensions(Unit:mm)**



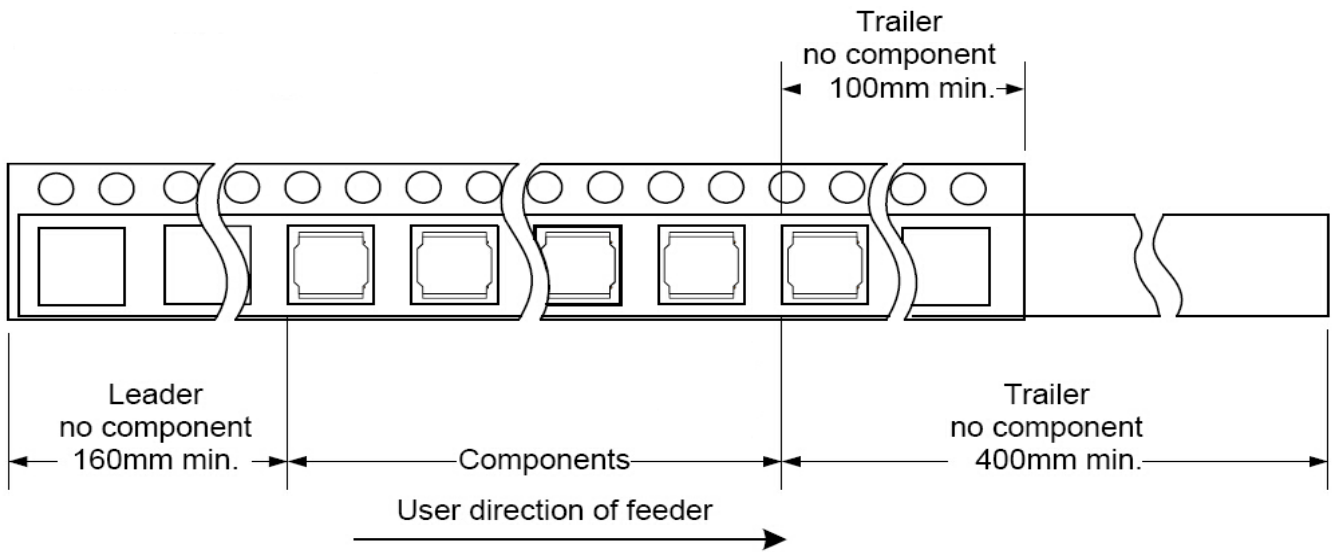
TYPE	Chip Thickness	W	A	B	D	P	K Max	T Max	MPQ
YHNR3015	1.50	8.0	3.30	3.30	3.50	8.00	1.90	0.25	2000

**■ Reel Dimensions(Unit:mm)**

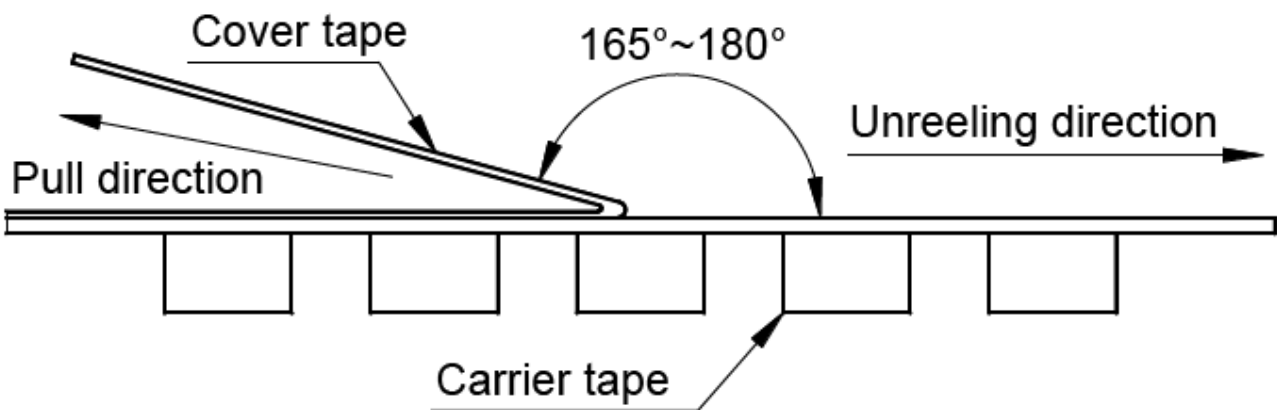


TYPE	W	W1	A	B	C	D
YHNR3015	178±2.0	8.40±1.50	4.3±0.20	5.0±0.10	3.0±0.10	58±2.0

**Direction of rolling**



**Cover tape peel off condition**



Cover tape peel force shall be 0.1N to 1.3N.

Reference peel speed 300±10mm/min.

## X-ON Electronics

Largest Supplier of Electrical and Electronic Components

*Click to view similar products for [Fixed Inductors](#) category:*

*Click to view products by [YJYCOIN](#) manufacturer:*

Other Similar products are found below :

[CR32NP-100KC](#) [CR54NP-470LC](#) [70F224AI](#) [MGDQ4-00004-P](#) [MHQ1005P10NJ](#) [MHQ1005P1N0S](#) [MHQ1005P2N4S](#) [MHQ1005P3N6S](#)  
[MHQ1005P5N1S](#) [MHQ1005P8N2J](#) [PE-53601NL](#) [PE-53602NL](#) [PG0936.113NLT](#) [9220-20](#) [9310-16](#) [PM06-2N7](#) [PM06-39NJ](#) [A01TK](#)  
[1206CS-471XJ](#) [HC2-R47-R](#) [HC8-1R2-R](#) [HCF1305-3R3-R](#) [1206CS-151XG](#) [RCH664NP-140L](#) [RCH664NP-4R7M](#) [RCP1317NP-391L](#)  
[RCR110DNP-331L](#) [DH2280-4R7M](#) [DS1608C-106](#) [B10TJ](#) [B82498B3101J000](#) [ELJ-RE27NJF2](#) [1812CS-153XJ](#) [1812CS-183XJ](#) [1812CS-](#)  
[223XJ](#) [1812LS-104XJ](#) [1812LS-105XJ](#) [1812LS-124XJ](#) [1812LS-154XJ](#) [1812LS-223XJ](#) [1812LS-224XJ](#) [1812LS-563XJ](#) [1812LS-683XJ](#)  
[1812LS-824XJ](#) [NIN-FB101JTR110F](#) [NIN-FB471JTR62F](#) [NIN-FC1R5JTR220F](#) [NIN-HCR15JTRF](#) [NIN-HCR33JTRF](#) [NIN-HDR22JTRF](#)