

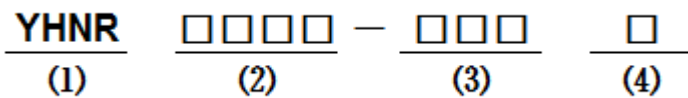
**■ Features**

- Low profile construction and miniature size.
- Magnetic shielded construction.
- High current saturation.
- Operating temperature: -40°C ~ +125°C.
- RoHS compliant

**■ Applications**

- For small DC/DC converter(HDD,DVC,DSC,PDA,LCD display etc.).
- Car navigation systems,telecom base stations.
- VR,AR,LED lighting.

**■ Product Identification**



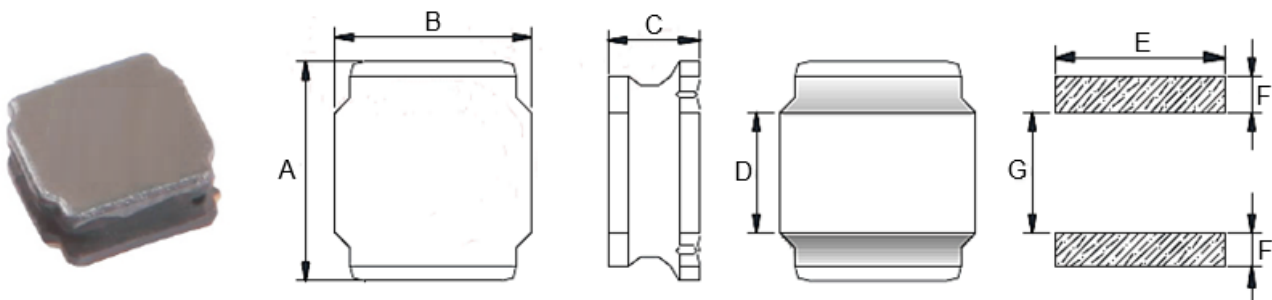
(1) : Type

(2) : Dimensions

(3) : Inductance value

(4) : Inductance Tolerance; N=±30%,M=±20%, K=±10%

**■ Shapes and Dimensions (Unit: mm)**



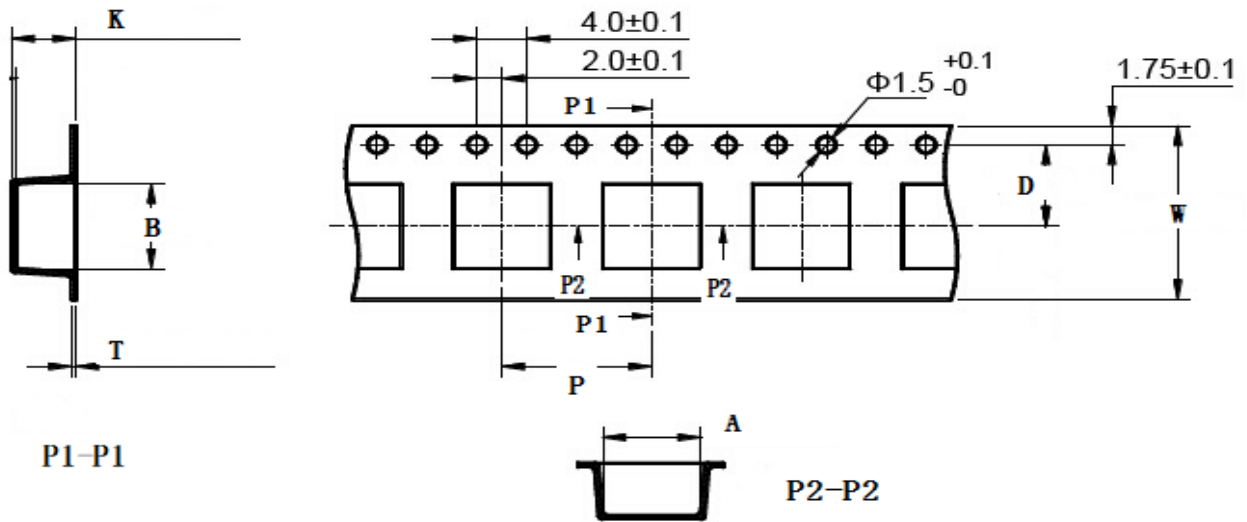
| TYPE     | A       | B       | C Max. | D       | E Ref. | F Ref. | G Ref. |
|----------|---------|---------|--------|---------|--------|--------|--------|
| YHNR3015 | 3.0±0.2 | 3.0±0.2 | 1.55   | 1.4±0.3 | 2.70   | 0.80   | 1.50   |

## ■ YHNR3015 Series

| Part Number   | Inductance<br>( $\mu$ H)<br>@100KHz | DC Resistance ( $\Omega$ ) |       | Heat Rating<br>Current (A) | Saturation<br>Current (A) |
|---------------|-------------------------------------|----------------------------|-------|----------------------------|---------------------------|
|               |                                     | Typ.                       | Max.  |                            |                           |
| YHNR3015-R22□ | 0.22                                | 0.016                      | 0.019 | 5.00                       | 8.80                      |
| YHNR3015-R24□ | 0.24                                | 0.016                      | 0.019 | 5.00                       | 8.60                      |
| YHNR3015-R33□ | 0.33                                | 0.016                      | 0.021 | 4.90                       | 8.00                      |
| YHNR3015-R47□ | 0.47                                | 0.020                      | 0.026 | 4.60                       | 7.60                      |
| YHNR3015-R68□ | 0.68                                | 0.028                      | 0.037 | 3.80                       | 7.00                      |
| YHNR3015-1R0□ | 1.00                                | 0.037                      | 0.048 | 3.30                       | 5.80                      |
| YHNR3015-1R5□ | 1.50                                | 0.055                      | 0.072 | 2.20                       | 4.60                      |
| YHNR3015-2R2□ | 2.20                                | 0.074                      | 0.095 | 2.20                       | 3.70                      |
| YHNR3015-3R3□ | 3.30                                | 0.110                      | 0.150 | 2.00                       | 3.40                      |
| YHNR3015-4R7□ | 4.70                                | 0.150                      | 0.185 | 1.70                       | 2.50                      |
| YHNR3015-5R6□ | 5.60                                | 0.190                      | 0.250 | 1.50                       | 2.20                      |
| YHNR3015-6R8□ | 6.80                                | 0.245                      | 0.320 | 1.20                       | 2.00                      |
| YHNR3015-100□ | 10.0                                | 0.350                      | 0.450 | 1.10                       | 1.60                      |
| YHNR3015-150□ | 15.0                                | 0.460                      | 0.610 | 1.10                       | 1.45                      |
| YHNR3015-220□ | 22.0                                | 0.700                      | 0.910 | 0.56                       | 1.00                      |
| YHNR3015-330□ | 33.0                                | 0.970                      | 1.260 | 0.50                       | 0.90                      |
| YHNR3015-470□ | 47.0                                | 1.450                      | 1.900 | 0.42                       | 0.80                      |

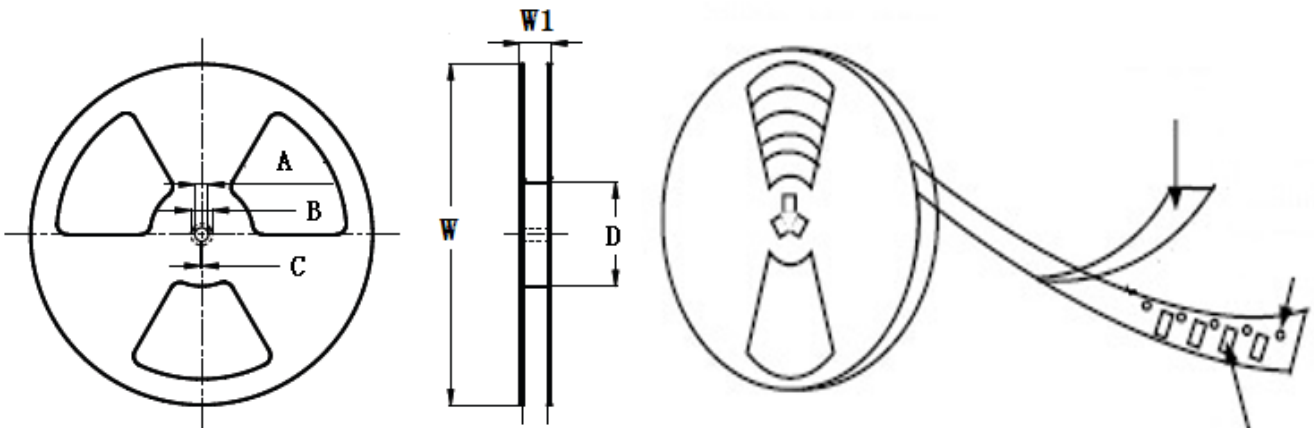
- ※ The saturation current value is the DC current value having inductance decrease down to 30%. (at 20°C)
- ※ The temperature rise current value is the DC current value having temperature increase up to 40°C. (at 20°C)
- ※ The rated current is the DC current value that satisfies both of current value saturation current value and temperature rise current value.

**■ Taping Dimensions(Unit:mm)**



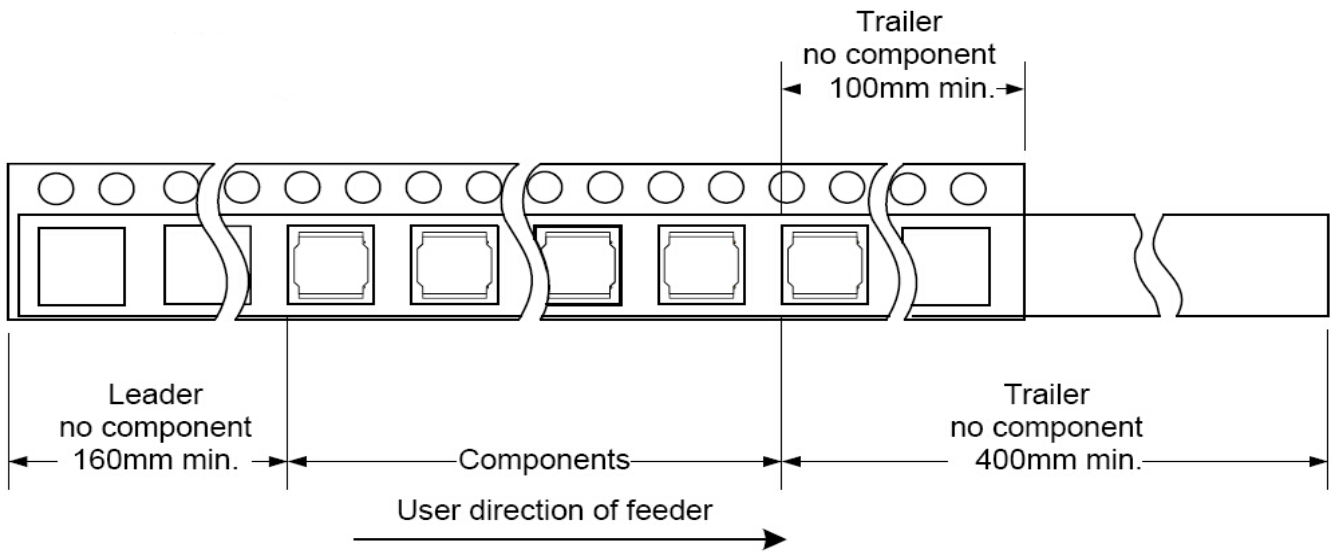
| TYPE     | Chip Thickness | W   | A    | B    | D    | P    | K Max | T Max | MPQ  |
|----------|----------------|-----|------|------|------|------|-------|-------|------|
| YHNR3015 | 1.50           | 8.0 | 3.30 | 3.30 | 3.50 | 8.00 | 1.90  | 0.25  | 2000 |

**■ Reel Dimensions(Unit:mm)**

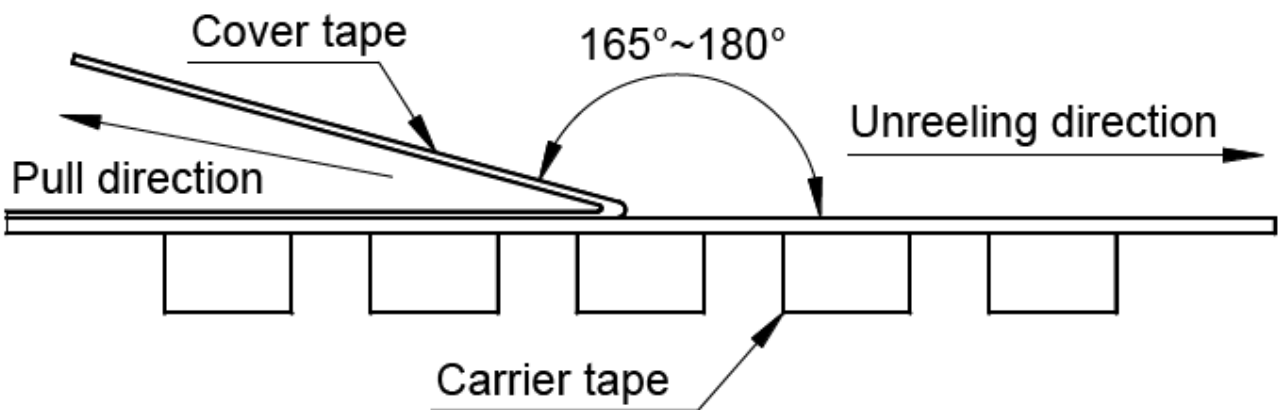


| TYPE     | W       | W1        | A        | B        | C        | D      |
|----------|---------|-----------|----------|----------|----------|--------|
| YHNR3015 | 178±2.0 | 8.40±1.50 | 4.3±0.20 | 5.0±0.10 | 3.0±0.10 | 58±2.0 |

**Direction of rolling**



**Cover tape peel off condition**



Cover tape peel force shall be 0.1N to 1.3N.

Reference peel speed  $300 \pm 10$  mm/min.

## X-ON Electronics

Largest Supplier of Electrical and Electronic Components

*Click to view similar products for [Fixed Inductors](#) category:*

*Click to view products by [YJYCOIN](#) manufacturer:*

Other Similar products are found below :

[CR32NP-100KC](#) [CR54NP-470LC](#) [70F224AI](#) [MGDQ4-00004-P](#) [MHQ1005P10NJ](#) [MHQ1005P1N0S](#) [MHQ1005P2N4S](#) [MHQ1005P3N6S](#)  
[MHQ1005P5N1S](#) [MHQ1005P8N2J](#) [PE-53601NL](#) [PE-53602NL](#) [PG0936.113NLT](#) [9220-20](#) [9310-16](#) [PM06-2N7](#) [PM06-39NJ](#) [A01TK](#)  
[1206CS-471XJ](#) [HC2-R47-R](#) [HC8-1R2-R](#) [HCF1305-3R3-R](#) [1206CS-151XG](#) [RCH664NP-140L](#) [RCH664NP-4R7M](#) [RCP1317NP-391L](#)  
[RCR110DNP-331L](#) [DH2280-4R7M](#) [DS1608C-106](#) [B10TJ](#) [B82498B3101J000](#) [ELJ-RE27NJF2](#) [1812CS-153XJ](#) [1812CS-183XJ](#) [1812CS-](#)  
[223XJ](#) [1812LS-104XJ](#) [1812LS-105XJ](#) [1812LS-124XJ](#) [1812LS-154XJ](#) [1812LS-223XJ](#) [1812LS-224XJ](#) [1812LS-563XJ](#) [1812LS-683XJ](#)  
[1812LS-824XJ](#) [NIN-FB101JTR110F](#) [NIN-FB471JTR62F](#) [NIN-FC1R5JTR220F](#) [NIN-HCR15JTRF](#) [NIN-HCR33JTRF](#) [NIN-HDR22JTRF](#)