

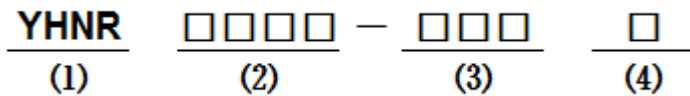
■ Features

- Low profile construction and miniature size.
- Magnetic shielded construction.
- High current saturation.
- Operating temperature:-40°C ~ +125°C.
- RoHS compliant

■ Applications

- For small DC/DC converter(HDD,DVC,DSC,PDA,LCD display etc.).
- Car navigation systems,telecom base stations.
- VR,AR,LED lighting.

■ Product Identification



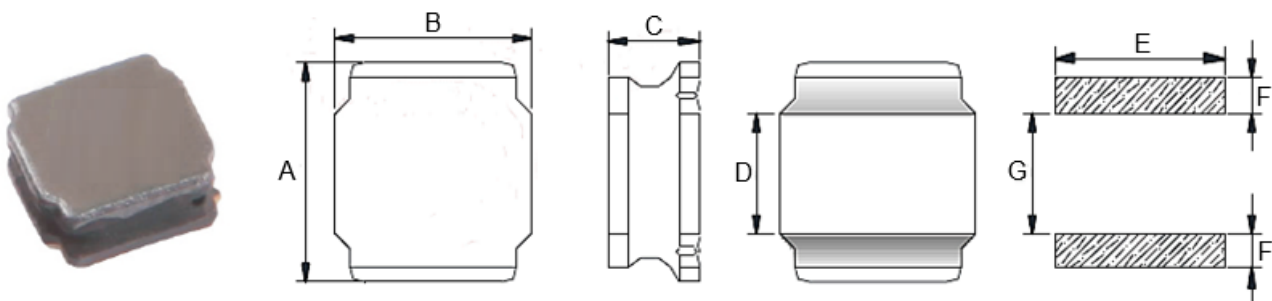
(1) : Type

(2) : Dimensions

(3) : Inductance value

(4) : Inductance Tolerance; N=±30%,M=±20%, K=±10%

■ Shapes and Dimensions (Unit: mm)



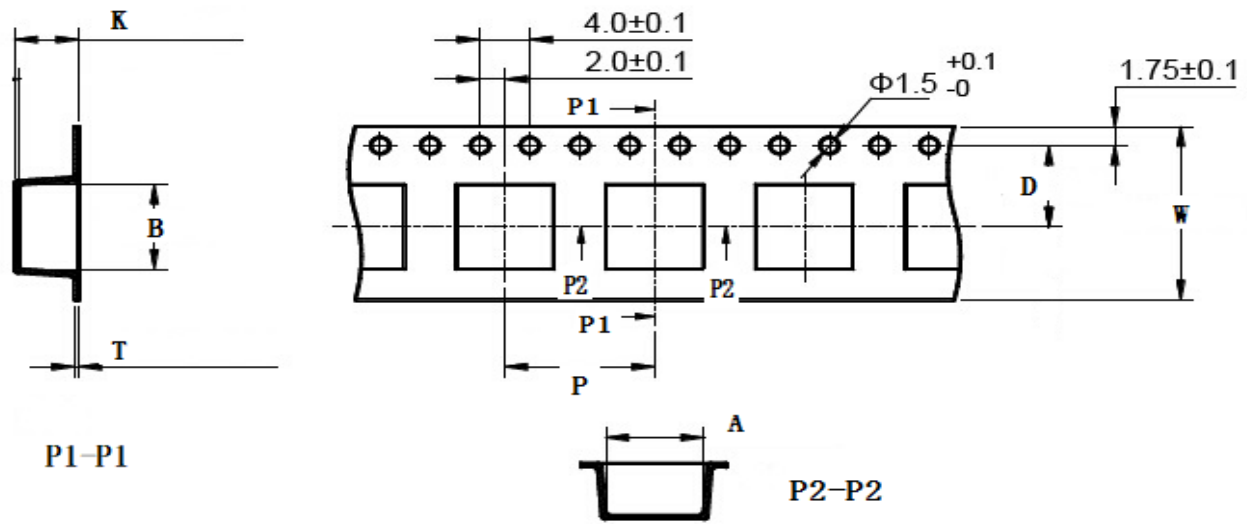
| TYPE | A | B | C Max. | D | E Ref. | F Ref. | G Ref. |
|----------|---------|---------|--------|----------|--------|--------|--------|
| YHNR4020 | 4.0±0.2 | 4.0±0.2 | 2.00 | 1.90±0.3 | 3.70 | 1.10 | 1.90 |

■ YHNR4020 Series

| Part Number | Inductance (uH) @100KHz | DC Resistance (Ω) | | Heat Rating Current (A) | Saturation Current (A) |
|---------------|-------------------------|-------------------|-------|-------------------------|------------------------|
| | | Typ. | Max. | | |
| YHNR4020-R24M | 0.24±20% | 0.013 | 0.017 | 6.00 | 14.0 |
| YHNR4020-R33M | 0.33±20% | 0.015 | 0.020 | 5.90 | 13.0 |
| YHNR4020-R47M | 0.47±20% | 0.016 | 0.022 | 5.90 | 11.0 |
| YHNR4020-R68M | 0.68±20% | 0.020 | 0.025 | 5.80 | 9.00 |
| YHNR4020-1R0M | 1.00±20% | 0.023 | 0.028 | 5.80 | 8.70 |
| YHNR4020-1R5M | 1.50±20% | 0.032 | 0.038 | 5.20 | 7.70 |
| YHNR4020-2R2M | 2.20±20% | 0.046 | 0.056 | 4.00 | 6.00 |
| YHNR4020-3R3M | 3.30±20% | 0.073 | 0.088 | 3.40 | 4.70 |
| YHNR4020-3R9M | 3.90±20% | 0.078 | 0.100 | 3.00 | 4.10 |
| YHNR4020-4R7M | 4.70±20% | 0.095 | 0.115 | 2.85 | 4.00 |
| YHNR4020-6R8M | 6.80±20% | 0.130 | 0.160 | 2.40 | 3.00 |
| YHNR4020-8R2M | 8.20±20% | 0.175 | 0.220 | 2.10 | 2.90 |
| YHNR4020-100M | 10.0±20% | 0.190 | 0.220 | 2.00 | 2.80 |
| YHNR4020-120M | 12.0±20% | 0.220 | 0.286 | 1.50 | 2.30 |
| YHNR4020-150M | 15.0±20% | 0.305 | 0.400 | 1.00 | 2.10 |
| YHNR4020-220M | 22.0±20% | 0.415 | 0.545 | 0.95 | 1.30 |
| YHNR4020-330M | 33.0±20% | 0.650 | 0.850 | 0.70 | 1.20 |
| YHNR4020-470M | 47.0±20% | 0.950 | 1.200 | 0.56 | 1.10 |

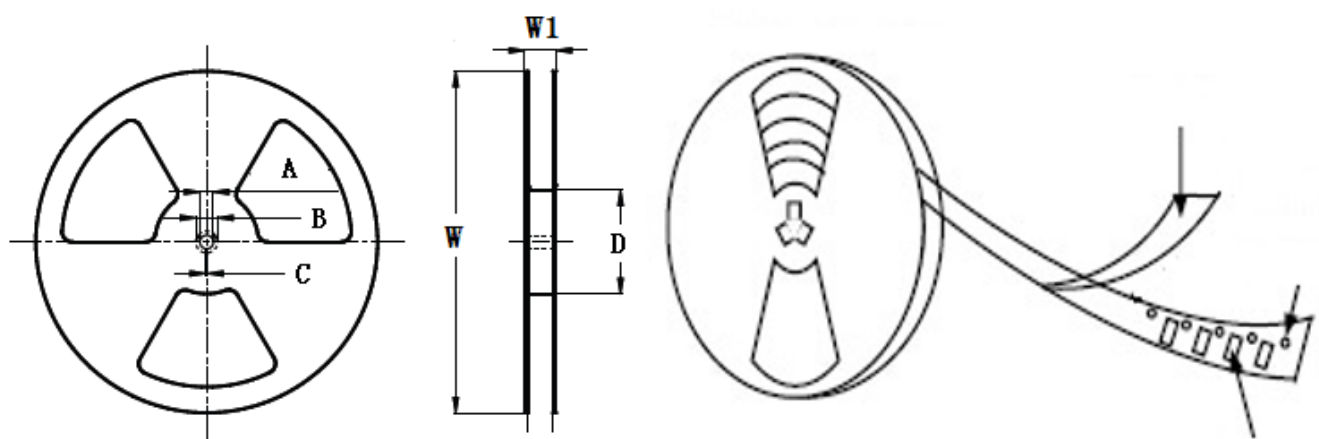
- ※ The saturation current value is the DC current value having inductance decrease down to 30%.(at 20°C)
- ※ The temperature rise current value is the DC current value having temperature increase up to 40°C. (at 20°C)
- ※ The rated current is the DC current value that satisfies both of current value saturation current value and temperature rise current value.

■ Taping Dimensions(Unit:mm)



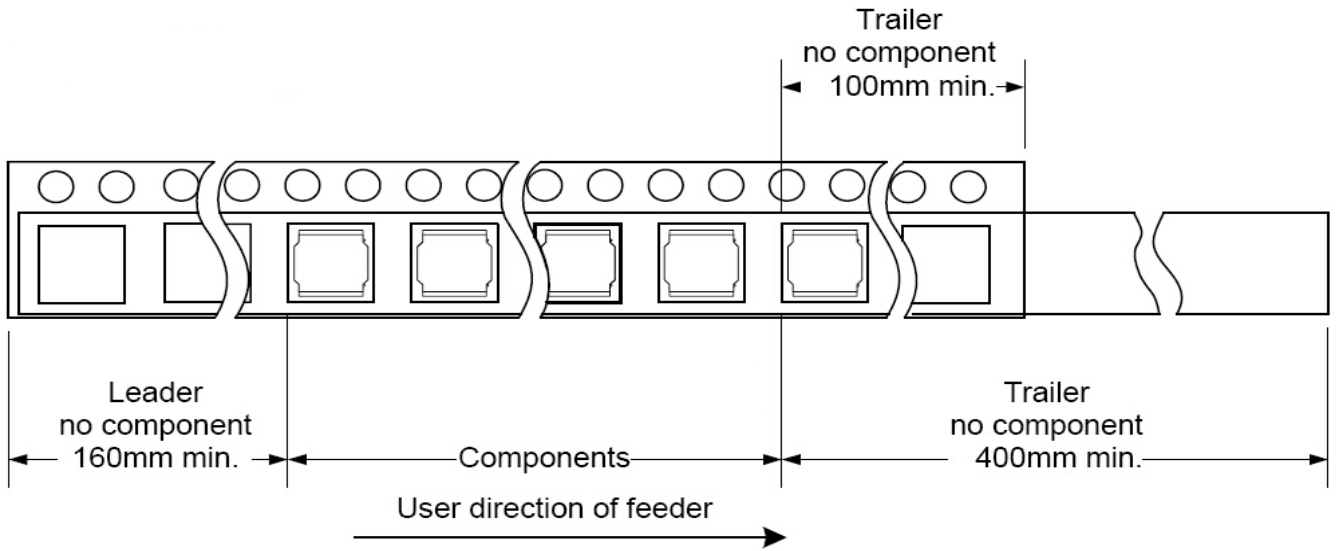
| TYPE | Chip Thickness | W | A | B | D | P | K Max | T Max | MPQ |
|----------|----------------|------|------|------|------|------|-------|-------|------|
| YHNR4020 | 2.00 | 12.0 | 4.30 | 4.30 | 5.50 | 8.00 | 2.40 | 0.30 | 3000 |

■ Reel Dimensions(Unit:mm)

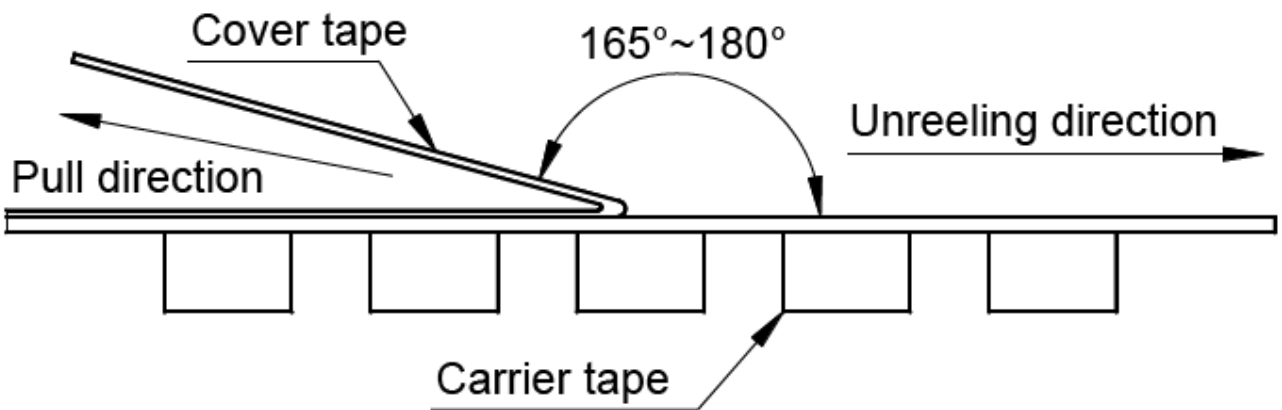


| TYPE | W | W1 | A | B | C | D |
|----------|---------|-----------|-----------|-----------|----------|---------|
| YHNR4020 | 330±2.0 | 12.8±1.50 | 13.0±0.50 | 21.0±0.80 | 2.0±0.50 | 100 Min |

Direction of rolling



Cover tape peel off condition



Cover tape peel force shall be 0.1N to 1.3N.

Reference peel speed 300 ± 10 mm/min.

X-ON Electronics

Largest Supplier of Electrical and Electronic Components

Click to view similar products for [Fixed Inductors](#) category:

Click to view products by [YJYCOIN](#) manufacturer:

Other Similar products are found below :

[CR32NP-100KC](#) [CR54NP-470LC](#) [70F224AI](#) [MGDQ4-00004-P](#) [MHQ1005P10NJ](#) [MHQ1005P1N0S](#) [MHQ1005P2N4S](#) [MHQ1005P3N6S](#)
[MHQ1005P5N1S](#) [MHQ1005P8N2J](#) [PE-53601NL](#) [PE-53602NL](#) [PG0936.113NLT](#) [9220-20](#) [9310-16](#) [PM06-2N7](#) [PM06-39NJ](#) [A01TK](#)
[1206CS-471XJ](#) [HC2-R47-R](#) [HC8-1R2-R](#) [HCF1305-3R3-R](#) [1206CS-151XG](#) [RCH664NP-140L](#) [RCH664NP-4R7M](#) [RCP1317NP-391L](#)
[RCR110DNP-331L](#) [DH2280-4R7M](#) [DS1608C-106](#) [B10TJ](#) [B82498B3101J000](#) [ELJ-RE27NJF2](#) [1812CS-153XJ](#) [1812CS-183XJ](#) [1812CS-](#)
[223XJ](#) [1812LS-104XJ](#) [1812LS-105XJ](#) [1812LS-124XJ](#) [1812LS-154XJ](#) [1812LS-223XJ](#) [1812LS-224XJ](#) [1812LS-563XJ](#) [1812LS-683XJ](#)
[1812LS-824XJ](#) [NIN-FB101JTR110F](#) [NIN-FB471JTR62F](#) [NIN-FC1R5JTR220F](#) [NIN-HCR15JTRF](#) [NIN-HCR33JTRF](#) [NIN-HDR22JTRF](#)