

■ Features

- SMD construction, and low profile.
- High Impedance and Excellent Frequency Characteristic.
- Self Electromagnetic Shielding.
- Low Magnetic Flux Leakage.

■ Applications

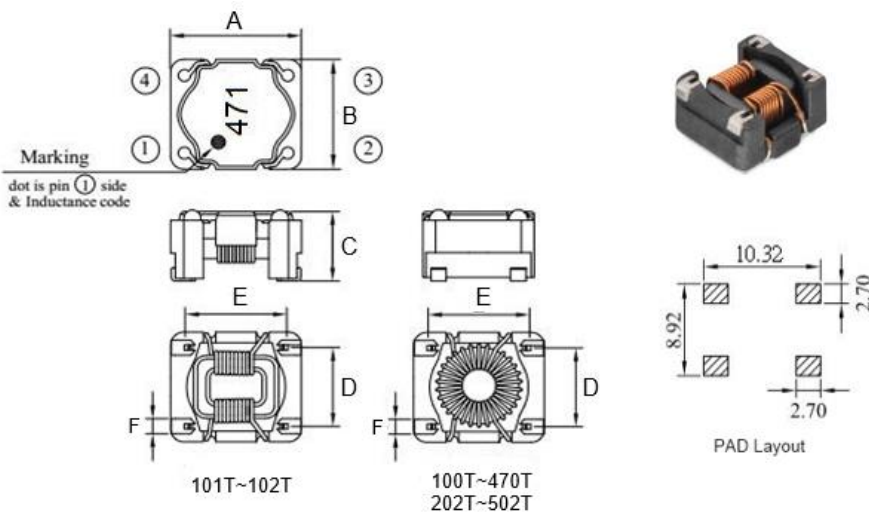
- LED Light, TV game, Monitor, etc.
- EMI common-mode noise.

■ Product Identification



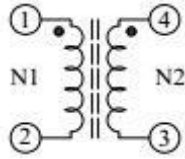
- (1) : Type
- (2) : Dimensions
- (3) : Inductance Value
- (4) : Taping

■ Shapes and Dimensions (Unit: mm)



| TYPE | A | B | C Max | D | E | F |
|-----------|----------|---------|-------|----------|----------|---------|
| YLCM1006C | 10.0±0.5 | 8.7±0.5 | 6.5 | 6.22±0.1 | 7.62±0.1 | 1.4 Ref |

■ Circuit Diagram



■ YLCM1006C Series

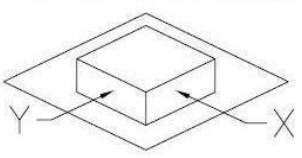
| Part Number | Inductance L1=L2(μH) @100KHz/0.1V | DC Resistance (mΩ)Max. | Rated Current (A)Max. | Hi-Pot (Vac) 3mA/1S | Impedance (Ω)Min. | Freq. Range (MHz) |
|----------------|---|------------------------------|-----------------------------|---------------------------|----------------------|-------------------------|
| YLCM1006C-100T | 10±40% | 30 | 4.00 | 600 | 100 | 10~300 |
| YLCM1006C-220T | 22±40% | 35 | 3.80 | 600 | 300 | 10~200 |
| YLCM1006C-470T | 47±40% | 40 | 3.20 | 600 | 800 | 10~100 |
| YLCM1006C-101T | 100±40% | 25 | 3.00 | 1000 | 100 | 10~300 |
| YLCM1006C-121T | 120±40% | 25 | 2.50 | 1000 | 200 | 10~200 |
| YLCM1006C-201T | 200±40% | 15 | 3.00 | 1000 | 300 | 7~150 |
| YLCM1006C-221T | 220±40% | 32 | 2.20 | 1000 | 350 | 7~150 |
| YLCM1006C-251T | 250±40% | 35 | 2.00 | 1000 | 400 | 5~100 |
| YLCM1006C-471T | 470±40% | 65 | 1.60 | 1000 | 900 | 2~40 |
| YLCM1006C-501T | 500±40% | 70 | 1.50 | 1000 | 800 | 2~5 |
| YLCM1006C-102T | 1000±40% | 180 | 0.95 | 1000 | 1400 | 1~40 |
| YLCM1006C-202T | 2000±40% | 270 | 0.80 | 300 | 2000 | 0.5~15 |
| YLCM1006C-222T | 2200±40% | 300 | 0.75 | 300 | 3400 | 1~11 |
| YLCM1006C-302T | 3000±40% | 330 | 0.70 | 300 | 3000 | 0.5~10 |
| YLCM1006C-332T | 3300±40% | 360 | 0.65 | 300 | 4400 | 0.9~7 |
| YLCM1006C-392T | 3900±40% | 540 | 0.52 | 300 | 5000 | 0.7~6 |
| YLCM1006C-402T | 4000±40% | 600 | 0.45 | 300 | 4000 | 0.5~5 |
| YLCM1006C-472T | 4700±40% | 720 | 0.35 | 300 | 6200 | 0.6~3 |
| YLCM1006C-502T | 5000±40% | 780 | 0.30 | 300 | 5000 | 0.5~3 |

1. Rated Current: Temp.rise 40°C Typ
2. Operating Temperature: -20°C up to +125°C
- 3.Storage Temperature: -20°C up to +40°C, 75% RH max.

Material List

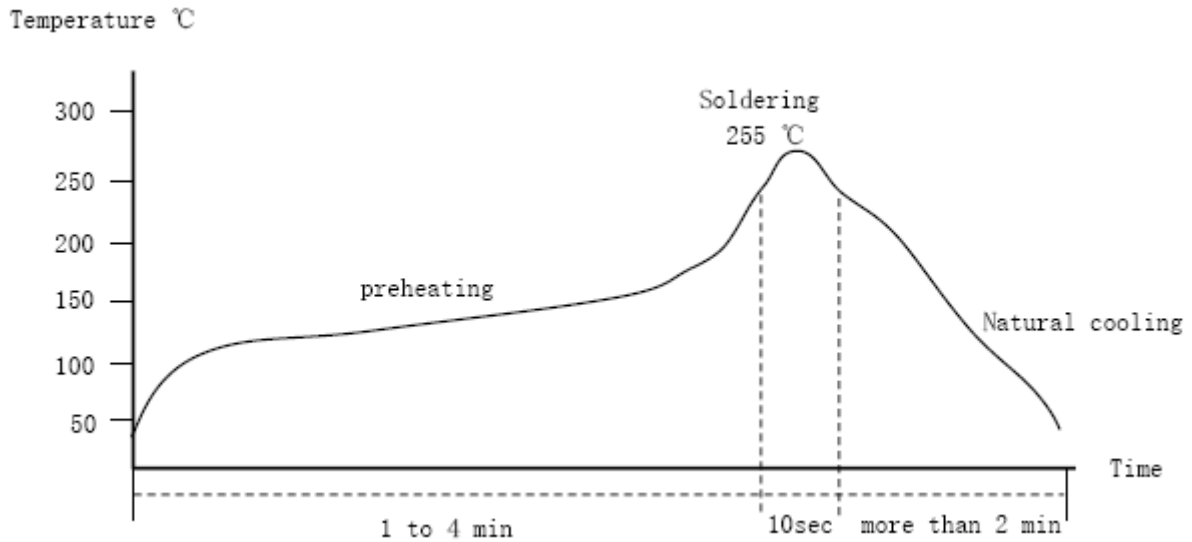
| NO. | ITEM | DESCRIPTION |
|-----|----------|--------------|
| 1 | CORE | FERRITE |
| 2 | CASE | DAP-WH9100 |
| 3 | WIRE | P180 Grd1 |
| 4 | SOLDER | Sn99.3:Cu0.7 |
| 5 | ADHESIVE | XNR-3614 |
| 6 | INK | WHITE |

Reliability Testing

| | |
|--|---|
| Operating Temperature | - 20 to + 125 °C (Contain Heating coil) |
| Appearance Inspection | No external defects by visual inspection |
| Terminal Strength  | <p>After soldering , between copper plaet and terminals of coils , push in two directions of X , Y with standing 10N(1.02kg) for10+/-2 sec.</p> <p>Terminal should not peel off. (Refer to figure at right)</p> |
| Heat endurance of reflow soldering | Refer to figure |
| Insulating resistance | Over 100 MΩ at 100V D.C . between wire and core . |
| Dielectric Strength | Apply at 0.5KV 3mA for 1 minute between wire and core . |
| Temperature characteristics | Inductance coefficient (0~2,000) × 10 / °C (- 20 ~ + 125 °C) |
| Humidity characteristics | Inductance deviation within ± 10% , after 96 hours in 90~95% relative humidity at 40 ± 2 °C and 1 hours drying under normal condition . |
| A test is made under the above mentioned condition , and it is kept for 2 hours in the normal | |

Recommended soldering temp.Graph

IR Reflow profile



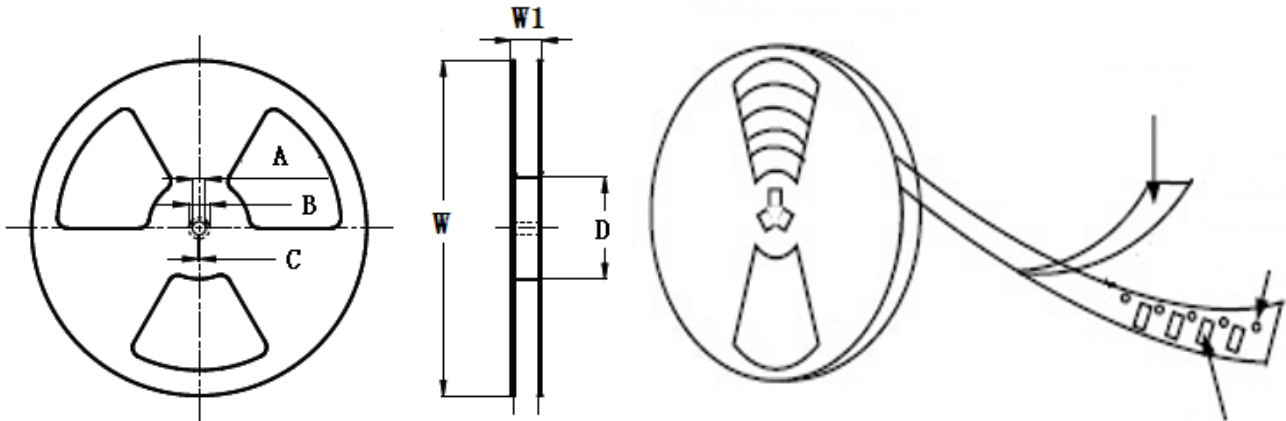
Temperature and humidity. After that, no mechanical and electrical defect should be found.

Taping Dimensions(Unit:mm)



| TYPE | W | A | B | D | P | K | T | MPQ |
|-----------|----------|----------|----------|----------|--------|---------|-----------|-----|
| YLCM1006C | 24.0±0.3 | 10.6±0.3 | 11.5±0.1 | 11.5±0.1 | 16±0.1 | 5.0±0.1 | 0.40±0.05 | 800 |

Reel Dimensions(Unit:mm)



| TYPE | W | W1 | A | B | C | D |
|-----------|---------|----------|---------|----------|-----------|-----------|
| YLCM1006C | 330±2.0 | 24.4±1.5 | 30.4MAX | 23.9 Min | 13.0±0.50 | 21.0±0.80 |

Direction of rolling



■ Cover tape peel off condition



Cover tape peel force shall be 0.1N to 1.3N.

Reference peel speed 300 ± 10 mm/min.

X-ON Electronics

Largest Supplier of Electrical and Electronic Components

Click to view similar products for [Common Mode Chokes / Filters](#) category:

Click to view products by [YJYCOIN](#) manufacturer:

Other Similar products are found below :

[PE-64683](#) [ST6118T-R](#) [FE3X025-10-7NL](#) [T8114NLT](#) [TCM0806G-350-2P-T](#) [TCM0806G-650-2P-T](#) [IND-0110](#) [UAL21VR0802000](#)
[UALSC023000000](#) [UALSC1020JH000](#) [UALSU10VD20010](#) [UALSU9VD070100](#) [36-00037](#) [CM7060M132R-10](#) [UALW21HS072450](#)
[UALSU9H0208000](#) [UAL24VK06450CH](#) [PLT10HH501100PNB](#) [PLT10HH401100PNB](#) [PLT10HH1026R0PNB](#) [36-00029-01](#) [PE-67531](#)
[TLH10UB](#) [113 0R5](#) [2752045447](#) [CM8663Z161B-10](#) [7351V](#) [CMF16-153131](#) [T8116NLT](#) [CMS2-10-R](#) [FE2X10-4-2NL](#) [T8003NLT](#) [CTX01-](#)
[13663](#) [CTX66-19521-R](#) [RC212-0.5-10M](#) [RC112-0.4-15M](#) [RC212-0.6-6M8](#) [RC212-0.4-15M](#) [RC112-0.3-30M](#) [4534-3](#)
[WTCF2012Z0M751PB](#) [PH9408.814NLT](#) [B82498B3221J000](#) [PAC6006.364NLT](#) [PAC6006.444NLT](#) [PAC6006.204NLT](#) [PH9407.204NLT](#)
[PAC6006.264NLT](#) [PH9408.105NLT](#) [PH9408.494NLT](#) [PAC6006.104NLT](#)