

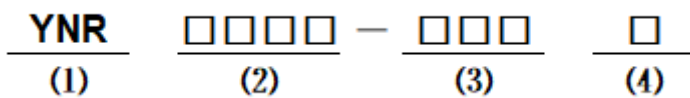
■ Features

- Low profile construction and miniature size.
- Magnetic shielded construction.
- High current saturation.
- Operating temperature:-40°C ~ +125°C.
- RoHS compliant.

■ Applications

- For small DC/DC converter(HDD,DVC,DSC,PDA,LCD display etc.).
- Car navigation systems,telecom base stations.
- VR,AR,LED lighting.

■ Product Identification



- (1) : Type
- (2) : Dimensions
- (3) : Inductance value
- (4) : Inductance Tolerance; N=±30%,M=±20%, K=±10%

■ Shapes and Dimensions (Unit: mm)



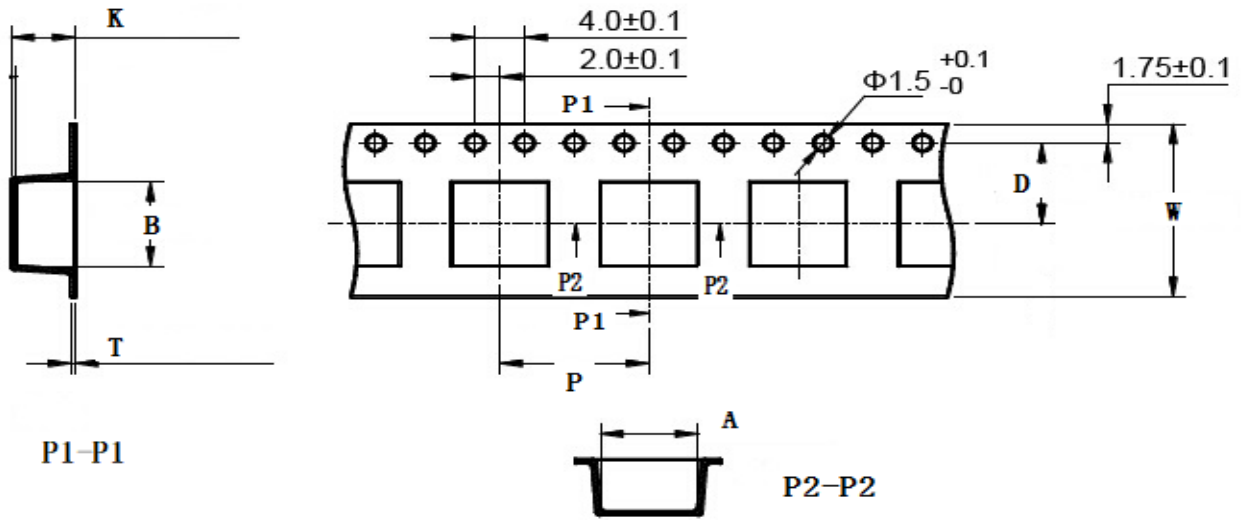
| TYPE | A | B | C Max. | D Ref. | E Ref. | F Ref. | G Ref. | H Ref. |
|---------|----------|----------|--------|--------|--------|--------|--------|--------|
| YNR1050 | 10.0±0.3 | 10.0±0.3 | 5.0 | 6.4 | 6.2 | 2.0 | 5.5 | 4.2 |

■ YNR1050 Series

| Part Number | Inductance (uH) @100KHz | DC Resistance Max.(Ω) | Heat Rating Current (A) | Saturation Current (A) |
|--------------|-------------------------|-----------------------|-------------------------|------------------------|
| YNR1050-1R0□ | 1.0 | 0.018 | 6.40 | 14.20 |
| YNR1050-1R5□ | 1.5 | 0.020 | 6.00 | 12.80 |
| YNR1050-2R2□ | 2.2 | 0.025 | 5.50 | 12.10 |
| YNR1050-3R3□ | 3.3 | 0.027 | 5.00 | 11.20 |
| YNR1050-4R7□ | 4.7 | 0.030 | 4.60 | 10.30 |
| YNR1050-6R8□ | 6.8 | 0.037 | 4.20 | 9.00 |
| YNR1050-100□ | 10 | 0.048 | 3.70 | 7.20 |
| YNR1050-150□ | 15 | 0.059 | 3.20 | 6.00 |
| YNR1050-220□ | 22 | 0.085 | 2.70 | 4.30 |
| YNR1050-330□ | 33 | 0.104 | 2.30 | 4.30 |
| YNR1050-470□ | 47 | 0.163 | 2.00 | 3.30 |
| YNR1050-680□ | 68 | 0.235 | 1.80 | 3.00 |
| YNR1050-101□ | 100 | 0.338 | 1.40 | 2.50 |
| YNR1050-151□ | 150 | 0.438 | 1.20 | 2.00 |
| YNR1050-221□ | 220 | 0.675 | 1.00 | 1.80 |
| YNR1050-271□ | 270 | 0.858 | 0.90 | 1.50 |
| YNR1050-331□ | 330 | 1.100 | 0.85 | 1.40 |
| YNR1050-471□ | 470 | 1.430 | 0.73 | 1.20 |
| YNR1050-561□ | 560 | 1.750 | 0.68 | 1.10 |
| YNR1050-681□ | 680 | 1.980 | 0.65 | 1.00 |
| YNR1050-821□ | 820 | 2.730 | 0.55 | 0.90 |
| YNR1050-102□ | 1000 | 3.420 | 0.50 | 0.80 |

- ※ The saturation current value is the DC current value having inductance decrease down to 30%.(at 20°C)
- ※ The temperature rise current value is the DC current value having temperature increase up to 40°C. (at 20°C)
- ※ The rated current is the DC current value that satisfies both of current value saturation current value and temperature rise current value.

■ Taping Dimensions(Unit:mm)



| TYPE | Chip Thickness | W | A | B | D | P | K Max | T Max | MPQ |
|---------|----------------|------|------|------|------|------|-------|-------|-----|
| YNR1050 | 6.50 | 16.0 | 8.30 | 8.30 | 7.50 | 12.0 | 6.70 | 0.50 | 800 |

■ Reel Dimensions(Unit:mm)

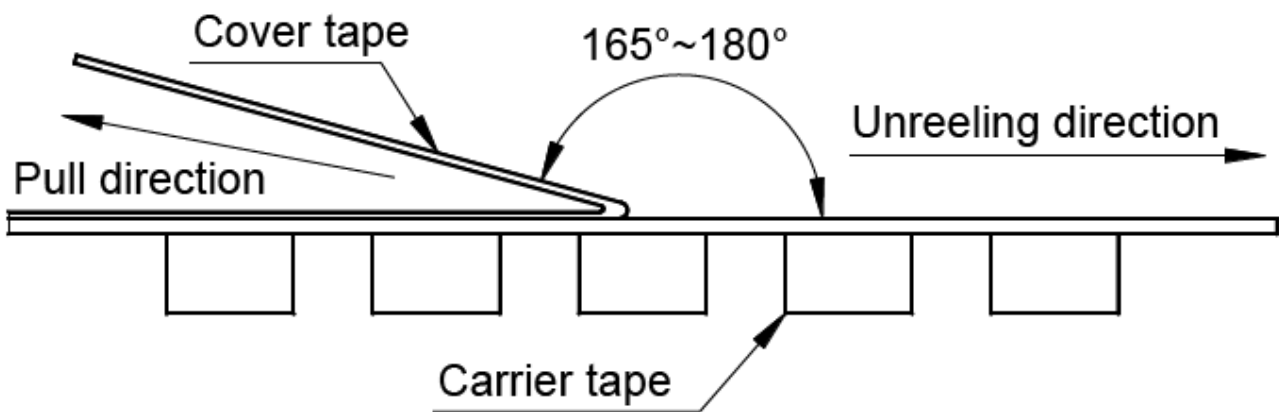


| TYPE | W | W1 | A | B | C | D |
|---------|---------|-----------|-----------|-----------|----------|---------|
| YNR1050 | 330±2.0 | 16.5±1.50 | 13.0±0.50 | 21.0±0.80 | 2.0±0.50 | 100 Min |

Direction of rolling



Cover tape peel off condition



Cover tape peel force shall be 0.1N to 1.3N.

Reference peel speed 300 ± 10 mm/min.

X-ON Electronics

Largest Supplier of Electrical and Electronic Components

Click to view similar products for [Fixed Inductors](#) category:

Click to view products by [YJYCOIN](#) manufacturer:

Other Similar products are found below :

[CR43NP-680KC](#) [CR54NP-470LC](#) [CR54NP-820KC](#) [CR54NP-8R5MC](#) [70F224AI](#) [MGDQ4-00004-P](#) [MHL1ECTTP18NJ](#) [MHQ1005P10NJ](#)
[MHQ1005P1N0S](#) [MHQ1005P2N4S](#) [MHQ1005P3N6S](#) [MHQ1005P5N1S](#) [MHQ1005P8N2J](#) [PE-51506NL](#) [PE-53601NL](#) [PE-53602NL](#) [PE-53630NL](#) [PE-53824SNLT](#) [PE-92100NL](#) [PG0434.801NLT](#) [PG0936.113NLT](#) [9220-20](#) [9310-16](#) [PM06-2N7](#) [PM06-39NJ](#) [A01TK](#) [1206CS-471XJ](#) [HC2LP-R47-R](#) [HC2-R47-R](#) [HC3-2R2-R](#) [HC3-R50-R](#) [HC8-1R2-R](#) [HCF1305-3R3-R](#) [1206CS-151XG](#) [RCH664NP-140L](#) [RCH664NP-4R7M](#) [RCH8011NP-221L](#) [RCP1317NP-332L](#) [RCP1317NP-391L](#) [RCR1010NP-470M](#) [RCR110DNP-331L](#) [DH2280-4R7M](#) [DS1608C-106](#)
[ASPI-4020HI-R10M-T](#) [B10TJ](#) [B82498B3680J000](#) [ELJ-RE27NJF2](#) [1812CS-153XJ](#) [1812CS-183XJ](#) [1812CS-223XJ](#)