

**■ Features**

- Low profile construction and miniature size.
- Magnetic shielded construction.
- High current saturation.
- Operating temperature:-40°C ~ +125°C.
- RoHS compliant

**■ Applications**

- For small DC/DC converter(HDD,DVC,DSC,PDA,LCD display etc.).
- Car navigation systems,telecom base stations.
- VR,AR,LED lighting.

**■ Product Identification**



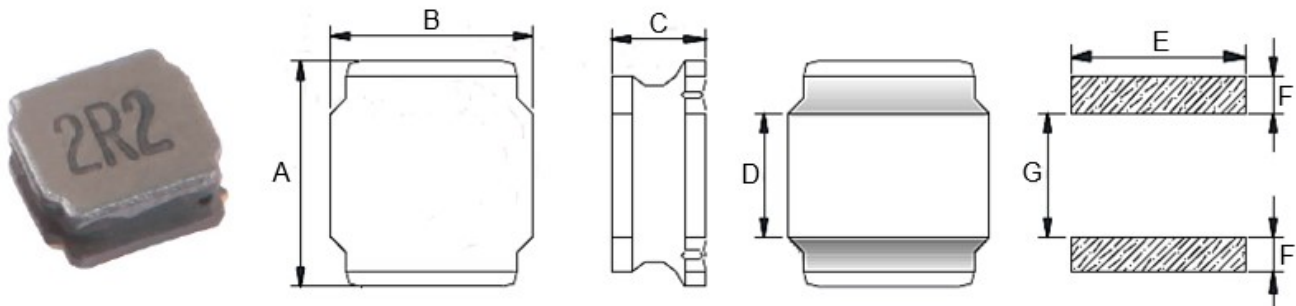
(1) : Type

(2) : Dimensions

(3) : Inductance value

(4) : Inductance Tolerance; N=±30%,M=±20%, K=±10%

**■ Shapes and Dimensions (Unit: mm)**



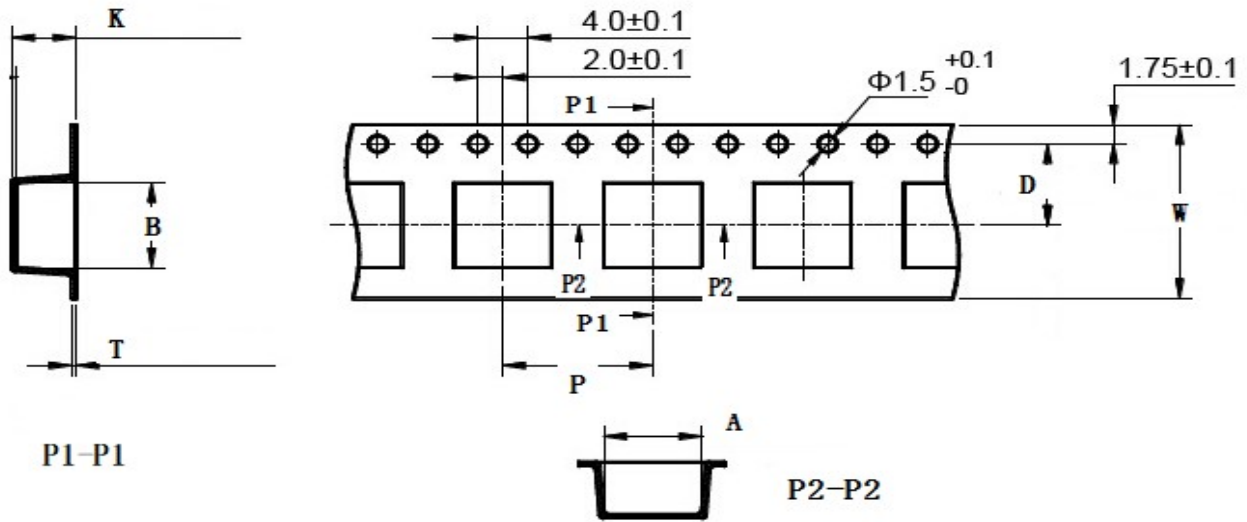
TYPE	A	B	C Max.	D	E Ref.	F Ref.	G Ref.
YNR3010	3.0±0.2	3.0±0.2	1.00	0.75±0.2	2.70	0.80	1.50

### ■ YNR3010 Series

Part Number	Inductance (uH) @100KHz	DC Resistance ( $\Omega$ )		Heat Rating Current (A)	Saturation Current (A)
		Typ.	Max.		
YNR3010-R47□	0.47	0.034	0.044	2.00	1.44
YNR3010-1R0□	1.00	0.065	0.085	1.45	1.40
YNR3010-1R2□	1.20	0.065	0.085	1.45	1.25
YNR3010-1R5□	1.50	0.080	0.104	1.30	1.27
YNR3010-2R2□	2.20	0.110	0.143	1.09	1.15
YNR3010-2R7□	2.70	0.130	0.169	1.02	1.00
YNR3010-3R3□	3.30	0.145	0.189	0.96	0.97
YNR3010-3R6□	3.60	0.165	0.215	0.90	0.95
YNR3010-4R7□	4.70	0.225	0.293	0.77	0.75
YNR3010-5R6□	5.60	0.248	0.322	0.70	0.58
YNR3010-6R8□	6.80	0.305	0.397	0.66	0.55
YNR3010-8R2□	8.20	0.400	0.520	0.58	0.55
YNR3010-100□	10.0	0.400	0.520	0.58	0.55
YNR3010-120□	12.0	0.505	0.657	0.52	0.43
YNR3010-150□	15.0	0.610	0.793	0.47	0.42
YNR3010-220□	22.0	0.930	1.209	0.38	0.35
YNR3010-270□	27.0	1.080	1.404	0.35	0.30
YNR3010-330□	33.0	1.550	2.015	0.30	0.29
YNR3010-390□	39.0	1.750	2.275	0.28	0.28
YNR3010-430□	43.0	1.800	2.340	0.27	0.23
YNR3010-470□	47.0	1.950	2.535	0.26	0.22
YNR3010-510□	51.0	2.200	2.860	0.25	0.22
YNR3010-560□	56.0	2.320	3.016	0.24	0.21

- 
- ※ The saturation current value is the DC current value having inductance decrease down to 30%.(at 20°C)
  - ※ The temperature rise current value is the DC current value having temperature increase up to 40°C. (at 20°C)
  - ※ The rated current is the DC current value that satisfies both of current value saturation current value and temperature rise current value.

**■ Taping Dimensions(Unit:mm)**



TYPE	Chip Thickness	W	A	B	D	P	K Max	T Max	MPQ
YNR3010	1.00	8.00	3.30	3.30	3.50	4.00	1.40	0.25	2000

**■ Reel Dimensions(Unit:mm)**



TYPE	W	W1	A	B	C	D
YNR3010	178±2.0	8.40±1.50	4.3±0.20	5.0±0.10	3.0±0.10	58±2.0

**Direction of rolling**



**Cover tape peel off condition**



Cover tape peel force shall be 0.1N to 1.3N.

Reference peel speed  $300 \pm 10$  mm/min.

## X-ON Electronics

Largest Supplier of Electrical and Electronic Components

*Click to view similar products for [Fixed Inductors](#) category:*

*Click to view products by [YJYCOIN](#) manufacturer:*

Other Similar products are found below :

[MLZ1608M6R8WTD25](#) [MLZ1608N6R8LT000](#) [MLZ1608N3R3LTD25](#) [MLZ1608N3R3LT000](#) [MLZ1608N150LT000](#)

[MLZ1608M150WTD25](#) [MLZ1608M3R3WTD25](#) [MLZ1608M3R3WT000](#) [MLZ1608M150WT000](#) [MLZ1608A1R5WT000](#)

[MLZ1608N1R5LT000](#) [B82432C1333K000](#) [PCMB053T-1R0MS](#) [PCMB053T-1R5MS](#) [PCMB104T-1R5MS](#) [CR32NP-100KC](#) [CR32NP-](#)

[151KC](#) [CR32NP-180KC](#) [CR32NP-181KC](#) [CR32NP-1R5MC](#) [CR32NP-390KC](#) [CR32NP-3R9MC](#) [CR32NP-680KC](#) [CR32NP-820KC](#)

[CR32NP-8R2MC](#) [CR43NP-390KC](#) [CR43NP-560KC](#) [CR43NP-680KC](#) [CR54NP-181KC](#) [CR54NP-470LC](#) [CR54NP-820KC](#) [CR54NP-8R5MC](#)

[MGDQ4-00004-P](#) [MGDU1-00016-P](#) [MHL1ECTTP18NJ](#) [MHL1JCTTD12NJ](#) [PE-51506NL](#) [PE-53601NL](#) [PE-53630NL](#) [PE-53824SNLT](#) [PE-](#)

[62892NL](#) [PE-92100NL](#) [PG0434.801NLT](#) [PG0936.113NLT](#) [PM06-2N7](#) [PM06-39NJ](#) [HC2LP-R47-R](#) [HC2-R47-R](#) [HC3-2R2-R](#) [HC8-1R2-R](#)