

**■ Features**

- Low profile construction and miniature size.
- Magnetic shielded construction.
- High current saturation.
- Operating temperature:-40°C ~ +125°C.
- RoHS compliant

**■ Applications**

- For small DC/DC converter(HDD,DVC,DSC,PDA,LCD display etc.).
- Car navigation systems,telecom base stations.
- VR,AR,LED lighting.

**■ Product Identification**



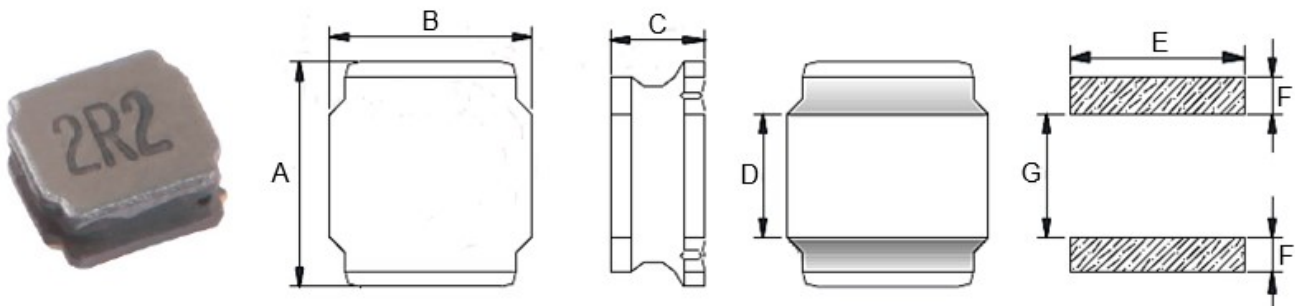
(1) : Type

(2) : Dimensions

(3) : Inductance value

(4) : Inductance Tolerance; N=±30%,M=±20%, K=±10%

**■ Shapes and Dimensions (Unit: mm)**



| TYPE    | A       | B       | C Max. | D        | E Ref. | F Ref. | G Ref. |
|---------|---------|---------|--------|----------|--------|--------|--------|
| YNR3012 | 3.0±0.2 | 3.0±0.2 | 1.20   | 0.75±0.2 | 2.70   | 0.80   | 1.50   |

## ■ YNR3012 Series

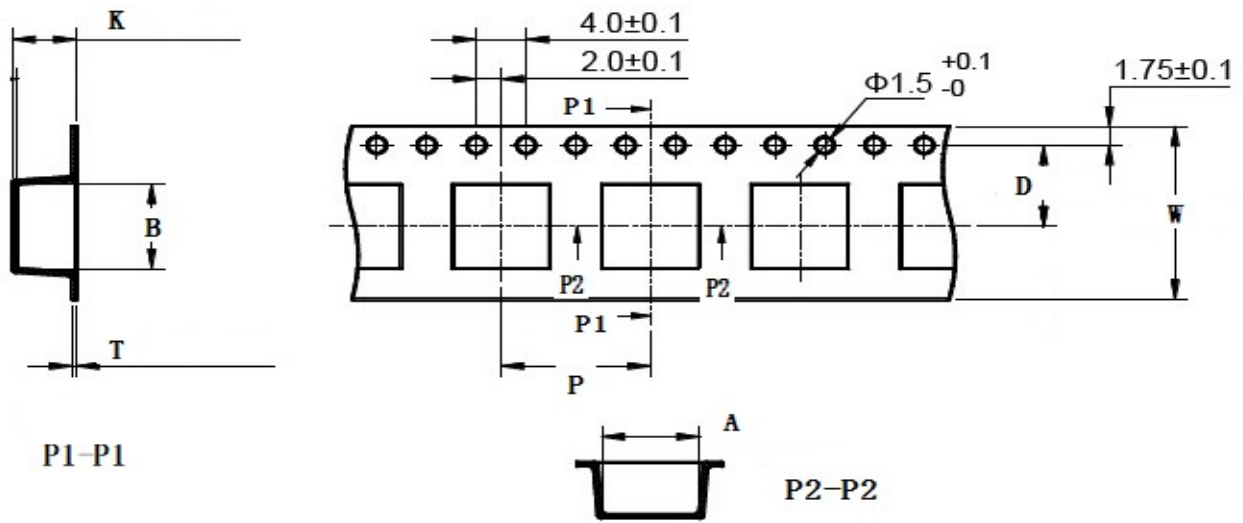
| Part Number  | Inductance<br>(uH) @100KHz | DC Resistance ( $\Omega$ ) |       | Heat Rating<br>Current (A) | Saturation<br>Current (A) |
|--------------|----------------------------|----------------------------|-------|----------------------------|---------------------------|
|              |                            | Typ.                       | Max.  |                            |                           |
| YNR3012-R22□ | 0.22                       | 0.017                      | 0.022 | 3.00                       | 5.30                      |
| YNR3012-R47□ | 0.47                       | 0.020                      | 0.024 | 2.95                       | 2.95                      |
| YNR3012-1R0□ | 1.00                       | 0.040                      | 0.052 | 2.20                       | 1.87                      |
| YNR3012-1R5□ | 1.50                       | 0.045                      | 0.059 | 2.01                       | 1.62                      |
| YNR3012-1R8□ | 1.80                       | 0.063                      | 0.082 | 1.65                       | 1.30                      |
| YNR3012-2R2□ | 2.20                       | 0.075                      | 0.098 | 1.55                       | 1.20                      |
| YNR3012-2R7□ | 2.70                       | 0.085                      | 0.110 | 1.48                       | 1.14                      |
| YNR3012-3R3□ | 3.30                       | 0.100                      | 0.130 | 1.36                       | 1.05                      |
| YNR3012-3R9□ | 3.90                       | 0.145                      | 0.189 | 1.24                       | 1.00                      |
| YNR3012-4R7□ | 4.70                       | 0.120                      | 0.156 | 1.24                       | 0.90                      |
| YNR3012-5R6□ | 5.60                       | 0.174                      | 0.226 | 1.13                       | 0.80                      |
| YNR3012-6R8□ | 6.80                       | 0.190                      | 0.247 | 0.98                       | 0.75                      |
| YNR3012-100□ | 10.0                       | 0.265                      | 0.345 | 0.83                       | 0.60                      |
| YNR3012-120□ | 12.0                       | 0.345                      | 0.449 | 0.73                       | 0.48                      |
| YNR3012-150□ | 15.0                       | 0.360                      | 0.468 | 0.71                       | 0.45                      |
| YNR3012-180□ | 18.0                       | 0.545                      | 0.709 | 0.58                       | 0.43                      |
| YNR3012-220□ | 22.0                       | 0.645                      | 0.839 | 0.53                       | 0.42                      |
| YNR3012-270□ | 27.0                       | 0.870                      | 1.131 | 0.47                       | 0.35                      |
| YNR3012-330□ | 33.0                       | 0.875                      | 1.138 | 0.46                       | 0.36                      |
| YNR3012-360□ | 36.0                       | 0.950                      | 1.235 | 0.44                       | 0.34                      |
| YNR3012-390□ | 39.0                       | 1.330                      | 1.729 | 0.37                       | 0.30                      |
| YNR3012-470□ | 47.0                       | 1.450                      | 1.885 | 0.35                       | 0.27                      |
| YNR3012-560□ | 56.0                       | 1.380                      | 1.794 | 0.28                       | 0.26                      |

## ■ YNR3012 Series

| Part Number  | Inductance<br>(uH) @100KHz | DC Resistance ( $\Omega$ ) |       | Heat Rating<br>Current (A) | Saturation<br>Current (A) |
|--------------|----------------------------|----------------------------|-------|----------------------------|---------------------------|
|              |                            | Typ.                       | Max.  |                            |                           |
| YNR3012-680□ | 68.0                       | 1.670                      | 2.171 | 0.33                       | 0.24                      |
| YNR3012-820□ | 82.0                       | 2.540                      | 3.302 | 0.27                       | 0.17                      |
| YNR3012-101□ | 100                        | 2.860                      | 3.718 | 0.25                       | 0.21                      |

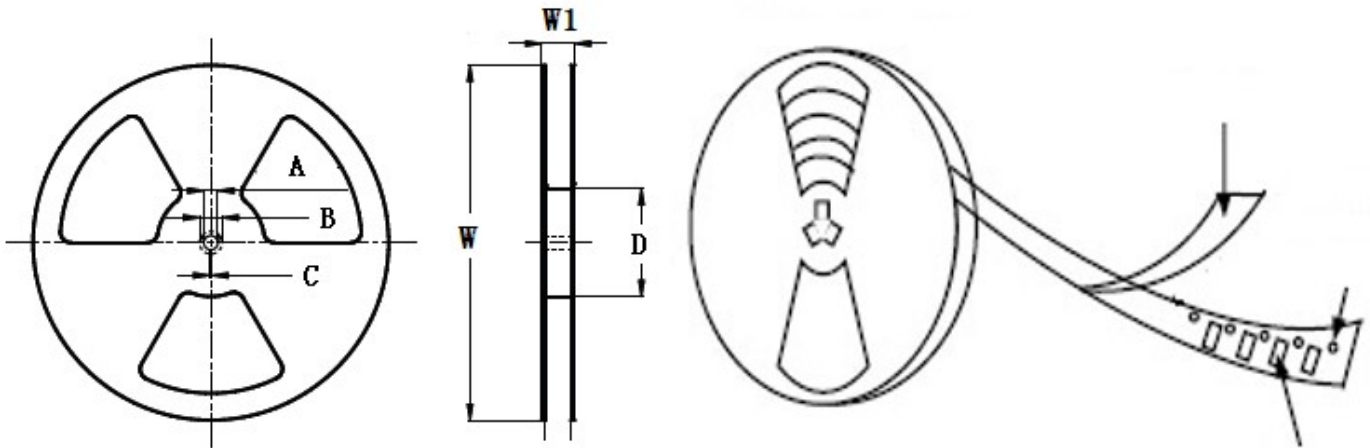
- ※ The saturation current value is the DC current value having inductance decrease down to 30%. (at 20°C)
- ※ The temperature rise current value is the DC current value having temperature increase up to 40°C. (at 20°C)
- ※ The rated current is the DC current value that satisfies both of current value saturation current value and temperature rise current value.

**■ Taping Dimensions(Unit:mm)**



| TYPE    | Chip Thickness | W    | A    | B    | D    | P    | K Max | T Max | MPQ  |
|---------|----------------|------|------|------|------|------|-------|-------|------|
| YNR3012 | 1.20           | 8.00 | 3.30 | 3.30 | 3.50 | 4.00 | 1.60  | 0.25  | 2000 |

**■ Reel Dimensions(Unit:mm)**

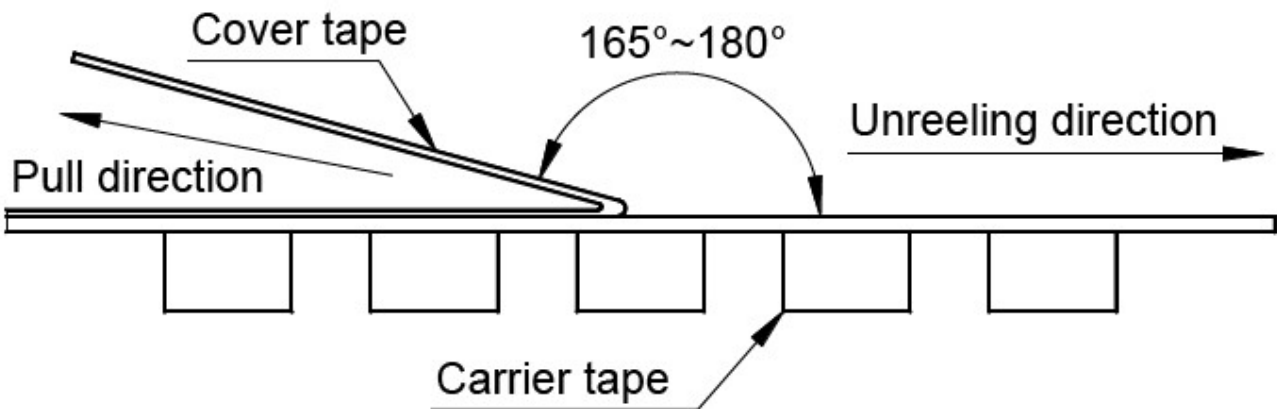


| TYPE    | W       | W1        | A        | B        | C        | D      |
|---------|---------|-----------|----------|----------|----------|--------|
| YNR3012 | 178±2.0 | 8.40±1.50 | 4.3±0.20 | 5.0±0.10 | 3.0±0.10 | 58±2.0 |

**Direction of rolling**



**Cover tape peel off condition**



Cover tape peel force shall be 0.1N to 1.3N.

Reference peel speed 300±10mm/min.

## X-ON Electronics

Largest Supplier of Electrical and Electronic Components

*Click to view similar products for [Fixed Inductors](#) category:*

*Click to view products by [YJYCOIN](#) manufacturer:*

Other Similar products are found below :

[MLZ1608M6R8WTD25](#) [MLZ1608N6R8LT000](#) [MLZ1608N3R3LTD25](#) [MLZ1608N3R3LT000](#) [MLZ1608N150LT000](#)

[MLZ1608M150WTD25](#) [MLZ1608M3R3WTD25](#) [MLZ1608M3R3WT000](#) [MLZ1608M150WT000](#) [MLZ1608A1R5WT000](#)

[MLZ1608N1R5LT000](#) [B82432C1333K000](#) [PCMB053T-1R0MS](#) [PCMB053T-1R5MS](#) [PCMB104T-1R5MS](#) [CR32NP-100KC](#) [CR32NP-](#)

[151KC](#) [CR32NP-180KC](#) [CR32NP-181KC](#) [CR32NP-1R5MC](#) [CR32NP-390KC](#) [CR32NP-3R9MC](#) [CR32NP-680KC](#) [CR32NP-820KC](#)

[CR32NP-8R2MC](#) [CR43NP-390KC](#) [CR43NP-560KC](#) [CR43NP-680KC](#) [CR54NP-181KC](#) [CR54NP-470LC](#) [CR54NP-820KC](#) [CR54NP-8R5MC](#)

[MGDQ4-00004-P](#) [MGDU1-00016-P](#) [MHL1ECTTP18NJ](#) [MHL1JCTTD12NJ](#) [PE-51506NL](#) [PE-53601NL](#) [PE-53630NL](#) [PE-53824SNLT](#) [PE-](#)

[62892NL](#) [PE-92100NL](#) [PG0434.801NLT](#) [PG0936.113NLT](#) [PM06-2N7](#) [PM06-39NJ](#) [HC2LP-R47-R](#) [HC2-R47-R](#) [HC3-2R2-R](#) [HC8-1R2-R](#)