

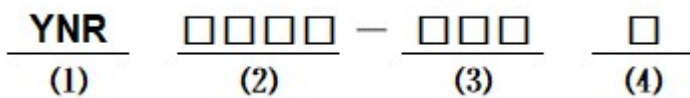
■ Features

- Low profile construction and miniature size.
- Magnetic shielded construction.
- High current saturation.
- Operating temperature:-40°C ~ +125°C.
- RoHS compliant

■ Applications

- For small DC/DC converter(HDD,DVC,DSC,PDA,LCD display etc.).
- Car navigation systems,telecom base stations.
- VR,AR,LED lighting.

■ Product Identification



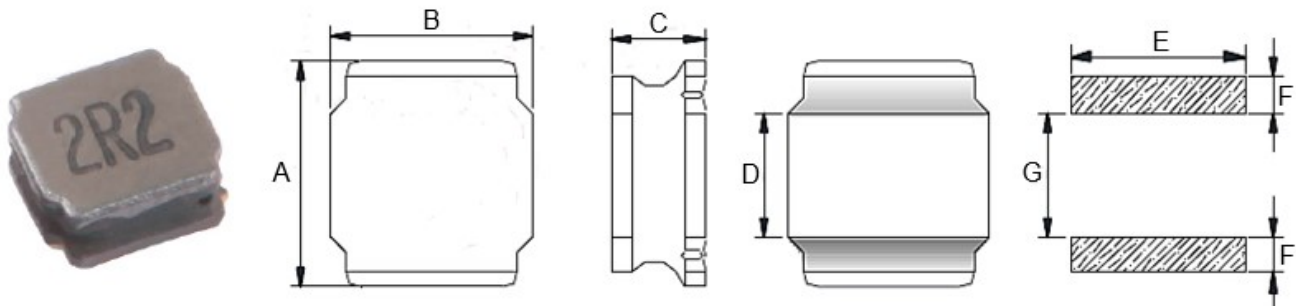
(1) : Type

(2) : Dimensions

(3) : Inductance value

(4) : Inductance Tolerance; N=±30%,M=±20%, K=±10%

■ Shapes and Dimensions (Unit: mm)



| TYPE | A | B | C Max. | D | E Ref. | F Ref. | G Ref. |
|---------|---------|---------|--------|----------|--------|--------|--------|
| YNR3015 | 3.0±0.2 | 3.0±0.2 | 1.50 | 0.75±0.2 | 2.70 | 0.80 | 1.50 |

■ YNR3015 Series

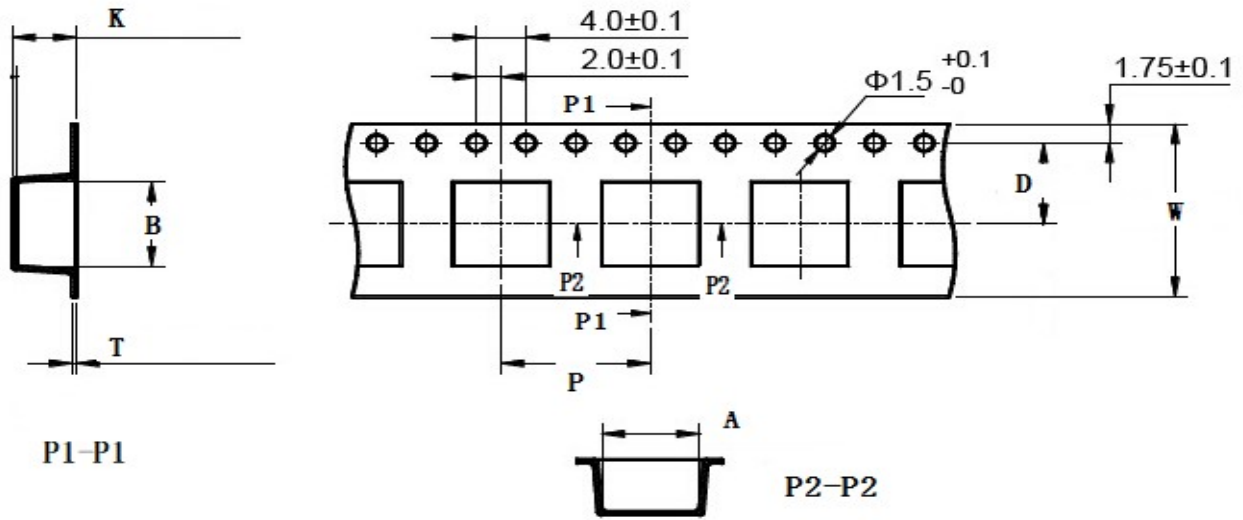
| Part Number | Inductance (uH) @100KHz | DC Resistance (Ω) | | Heat Rating Current (A) | Saturation Current (A) |
|--------------|----------------------------|----------------------------|-------|----------------------------|---------------------------|
| | | Typ. | Max. | | |
| YNR3015-R22□ | 0.22 | 0.018 | 0.023 | 3.25 | 5.50 |
| YNR3015-R50□ | 0.50 | 0.030 | 0.039 | 2.60 | 3.90 |
| YNR3015-R68□ | 0.68 | 0.030 | 0.039 | 2.40 | 2.30 |
| YNR3015-R82□ | 0.82 | 0.036 | 0.047 | 2.35 | 3.40 |
| YNR3015-1R0□ | 1.00 | 0.030 | 0.039 | 2.35 | 2.32 |
| YNR3015-1R2□ | 1.20 | 0.040 | 0.052 | 1.95 | 2.21 |
| YNR3015-1R5□ | 1.50 | 0.050 | 0.065 | 1.70 | 2.30 |
| YNR3015-1R8□ | 1.80 | 0.050 | 0.065 | 1.70 | 2.20 |
| YNR3015-2R2□ | 2.20 | 0.060 | 0.078 | 1.60 | 1.60 |
| YNR3015-2R7□ | 2.70 | 0.075 | 0.098 | 1.43 | 1.52 |
| YNR3015-3R3□ | 3.30 | 0.080 | 0.104 | 1.36 | 1.32 |
| YNR3015-3R6□ | 3.60 | 0.105 | 0.137 | 1.20 | 1.28 |
| YNR3015-3R9□ | 3.90 | 0.105 | 0.137 | 1.20 | 1.20 |
| YNR3015-4R3□ | 4.30 | 0.115 | 0.150 | 1.14 | 1.20 |
| YNR3015-4R7□ | 4.70 | 0.125 | 0.163 | 1.09 | 1.10 |
| YNR3015-5R1□ | 5.10 | 0.133 | 0.173 | 1.05 | 1.00 |
| YNR3015-6R2□ | 6.20 | 0.195 | 0.254 | 0.86 | 1.00 |
| YNR3015-6R8□ | 6.80 | 0.200 | 0.260 | 0.85 | 0.85 |
| YNR3015-8R2□ | 8.20 | 0.240 | 0.312 | 0.80 | 0.80 |
| YNR3015-100□ | 10.0 | 0.250 | 0.325 | 0.77 | 0.72 |
| YNR3015-120□ | 12.0 | 0.320 | 0.416 | 0.68 | 0.70 |
| YNR3015-150□ | 15.0 | 0.350 | 0.455 | 0.65 | 0.66 |
| YNR3015-180□ | 18.0 | 0.430 | 0.559 | 0.59 | 0.56 |

■ YNR3015 Series

| Part Number | Inductance (uH) @100KHz | DC Resistance (Ω) | | Heat Rating Current (A) | Saturation Current (A) |
|--------------|----------------------------|----------------------------|-------|----------------------------|---------------------------|
| | | Typ. | Max. | | |
| YNR3015-220□ | 22.0 | 0.460 | 0.598 | 0.57 | 0.52 |
| YNR3015-270□ | 27.0 | 0.730 | 0.949 | 0.45 | 0.48 |
| YNR3015-330□ | 33.0 | 0.820 | 1.066 | 0.43 | 0.44 |
| YNR3015-390□ | 39.0 | 0.995 | 1.294 | 0.39 | 0.41 |
| YNR3015-430□ | 43.0 | 1.060 | 1.378 | 0.37 | 0.37 |
| YNR3015-470□ | 47.0 | 1.250 | 1.625 | 0.35 | 0.35 |
| YNR3015-510□ | 51.0 | 1.735 | 2.256 | 0.50 | 0.44 |
| YNR3015-560□ | 56.0 | 1.280 | 1.664 | 0.34 | 0.33 |
| YNR3015-620□ | 62.0 | 1.610 | 2.093 | 0.30 | 0.30 |
| YNR3015-680□ | 68.0 | 2.700 | 3.510 | 0.23 | 0.28 |
| YNR3015-750□ | 75.0 | 2.800 | 3.640 | 0.45 | 0.35 |
| YNR3015-820□ | 82.0 | 2.700 | 3.510 | 0.27 | 0.24 |
| YNR3015-101□ | 100 | 3.110 | 4.043 | 0.21 | 0.23 |
| YNR3015-121□ | 120 | 3.360 | 4.368 | 0.23 | 0.22 |
| YNR3015-151□ | 150 | 3.800 | 4.940 | 0.19 | 0.18 |
| YNR3015-221□ | 220 | 4.470 | 5.811 | 0.35 | 0.16 |

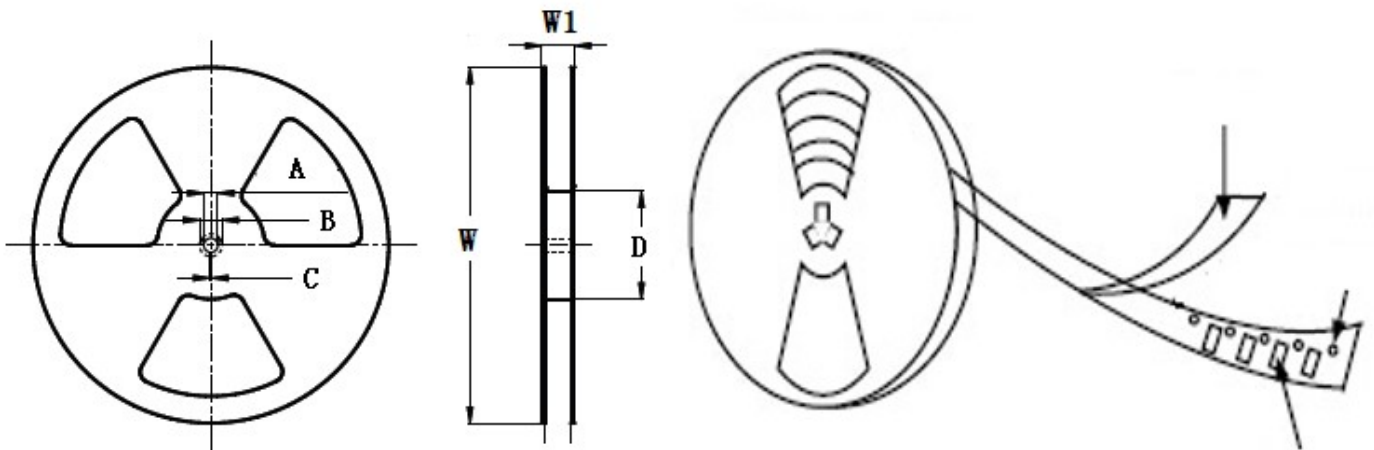
- ※ The saturation current value is the DC current value having inductance decrease down to 30%. (at 20°C)
- ※ The temperature rise current value is the DC current value having temperature increase up to 40°C. (at 20°C)
- ※ The rated current is the DC current value that satisfies both of current value saturation current value and temperature rise current value.

■ Taping Dimensions(Unit:mm)



| TYPE | Chip Thickness | W | A | B | D | P | K Max | T Max | MPQ |
|---------|----------------|------|------|------|------|------|-------|-------|------|
| YNR3015 | 1.50 | 8.00 | 3.30 | 3.30 | 3.50 | 4.00 | 1.90 | 0.25 | 2000 |

■ Reel Dimensions(Unit:mm)

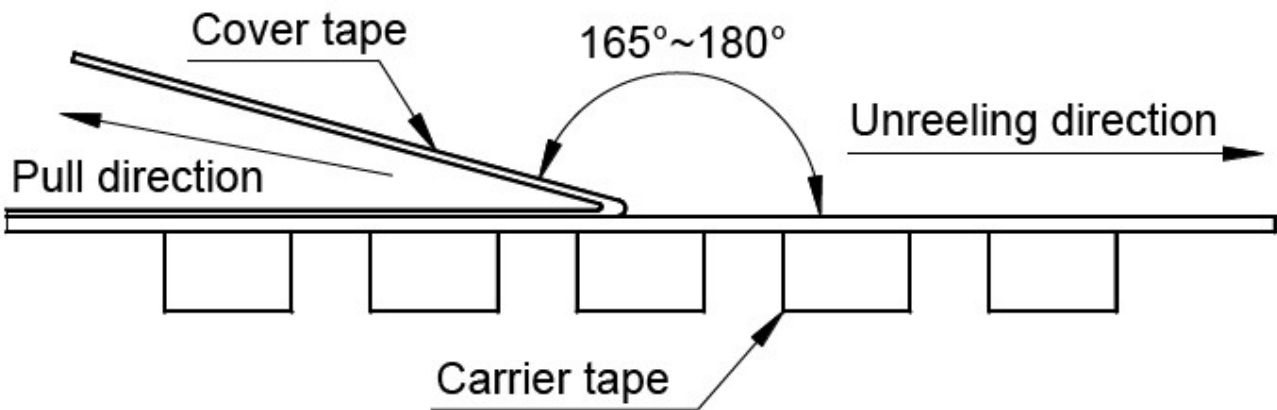


| TYPE | W | W1 | A | B | C | D |
|---------|---------|-----------|----------|----------|----------|--------|
| YNR3015 | 178±2.0 | 8.40±1.50 | 4.3±0.20 | 5.0±0.10 | 3.0±0.10 | 58±2.0 |

Direction of rolling



Cover tape peel off condition



Cover tape peel force shall be 0.1N to 1.3N.

Reference peel speed 300 ± 10 mm/min.

X-ON Electronics

Largest Supplier of Electrical and Electronic Components

Click to view similar products for [Fixed Inductors](#) category:

Click to view products by [YJYCOIN](#) manufacturer:

Other Similar products are found below :

[CR32NP-151KC](#) [CR32NP-180KC](#) [CR32NP-181KC](#) [CR32NP-1R5MC](#) [CR32NP-390KC](#) [CR32NP-3R9MC](#) [CR32NP-680KC](#) [CR32NP-820KC](#) [CR32NP-8R2MC](#) [CR43NP-390KC](#) [CR43NP-560KC](#) [CR43NP-680KC](#) [CR54NP-181KC](#) [CR54NP-470LC](#) [CR54NP-820KC](#) [CR54NP-8R5MC](#) [70F224AI](#) [MGDQ4-00004-P](#) [MHL1ECTTP18NJ](#) [MHQ1005P10NJ](#) [MHQ1005P1N0S](#) [MHQ1005P2N4S](#) [MHQ1005P3N6S](#) [MHQ1005P5N1S](#) [MHQ1005P8N2J](#) [PE-51506NL](#) [PE-53601NL](#) [PE-53602NL](#) [PE-53630NL](#) [PE-53824SNLT](#) [PE-92100NL](#) [PG0434.801NLT](#) [PG0936.113NLT](#) [9220-20](#) [9310-16](#) [PM06-2N7](#) [PM06-39NJ](#) [A01TK](#) [1206CS-471XJ](#) [HC2LP-R47-R](#) [HC2-R47-R](#) [HC3-2R2-R](#) [HCF1305-3R3-R](#) [1206CS-151XG](#) [RCH664NP-140L](#) [RCH664NP-4R7M](#) [RCH8011NP-221L](#) [RCP1317NP-332L](#) [RCP1317NP-391L](#) [RCR1010NP-470M](#)