

■ Features

- Low profile construction and miniature size.
- Magnetic shielded construction.
- High current saturation.
- Operating temperature:-40°C ~ +125°C.
- RoHS compliant

■ Applications

- For small DC/DC converter(HDD,DVC,DSC,PDA,LCD display etc.).
- Car navigation systems,telecom base stations.
- VR,AR,LED lighting.

■ Product Identification



- (1) : Type
- (2) : Dimensions
- (3) : Inductance value
- (4) : Inductance Tolerance; N=±30%,M=±20%, K=±10%

■ Shapes and Dimensions (Unit: mm)



TYPE	A	B	C Max.	D	E Ref.	F Ref.	G Ref.
YNR3015	3.0±0.2	3.0±0.2	1.50	0.75±0.2	2.70	0.80	1.50

■ YNR3015 Series

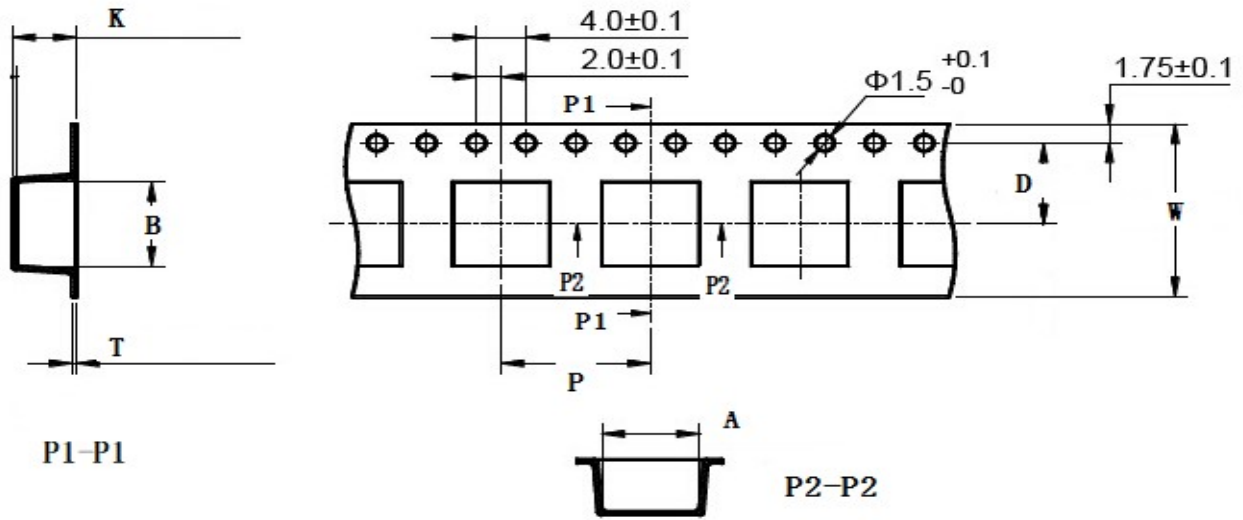
Part Number	Inductance (uH) @100KHz	DC Resistance (Ω)		Heat Rating Current (A)	Saturation Current (A)
		Typ.	Max.		
YNR3015-R22□	0.22	0.018	0.023	3.25	5.50
YNR3015-R50□	0.50	0.030	0.039	2.60	3.90
YNR3015-R68□	0.68	0.030	0.039	2.40	2.30
YNR3015-R82□	0.82	0.036	0.047	2.35	3.40
YNR3015-1R0□	1.00	0.030	0.039	2.35	2.32
YNR3015-1R2□	1.20	0.040	0.052	1.95	2.21
YNR3015-1R5□	1.50	0.050	0.065	1.70	2.30
YNR3015-1R8□	1.80	0.050	0.065	1.70	2.20
YNR3015-2R2□	2.20	0.060	0.078	1.60	1.60
YNR3015-2R7□	2.70	0.075	0.098	1.43	1.52
YNR3015-3R3□	3.30	0.080	0.104	1.36	1.32
YNR3015-3R6□	3.60	0.105	0.137	1.20	1.28
YNR3015-3R9□	3.90	0.105	0.137	1.20	1.20
YNR3015-4R3□	4.30	0.115	0.150	1.14	1.20
YNR3015-4R7□	4.70	0.125	0.163	1.09	1.10
YNR3015-5R1□	5.10	0.133	0.173	1.05	1.00
YNR3015-6R2□	6.20	0.195	0.254	0.86	1.00
YNR3015-6R8□	6.80	0.200	0.260	0.85	0.85
YNR3015-8R2□	8.20	0.240	0.312	0.80	0.80
YNR3015-100□	10.0	0.250	0.325	0.77	0.72
YNR3015-120□	12.0	0.320	0.416	0.68	0.70
YNR3015-150□	15.0	0.350	0.455	0.65	0.66
YNR3015-180□	18.0	0.430	0.559	0.59	0.56

■ YNR3015 Series

Part Number	Inductance (uH) @100KHz	DC Resistance (Ω)		Heat Rating Current (A)	Saturation Current (A)
		Typ.	Max.		
YNR3015-220□	22.0	0.460	0.598	0.57	0.52
YNR3015-270□	27.0	0.730	0.949	0.45	0.48
YNR3015-330□	33.0	0.820	1.066	0.43	0.44
YNR3015-390□	39.0	0.995	1.294	0.39	0.41
YNR3015-430□	43.0	1.060	1.378	0.37	0.37
YNR3015-470□	47.0	1.250	1.625	0.35	0.35
YNR3015-510□	51.0	1.735	2.256	0.50	0.44
YNR3015-560□	56.0	1.280	1.664	0.34	0.33
YNR3015-620□	62.0	1.610	2.093	0.30	0.30
YNR3015-680□	68.0	2.700	3.510	0.23	0.28
YNR3015-750□	75.0	2.800	3.640	0.45	0.35
YNR3015-820□	82.0	2.700	3.510	0.27	0.24
YNR3015-101□	100	3.110	4.043	0.21	0.23
YNR3015-121□	120	3.360	4.368	0.23	0.22
YNR3015-151□	150	3.800	4.940	0.19	0.18
YNR3015-221□	220	4.470	5.811	0.35	0.16

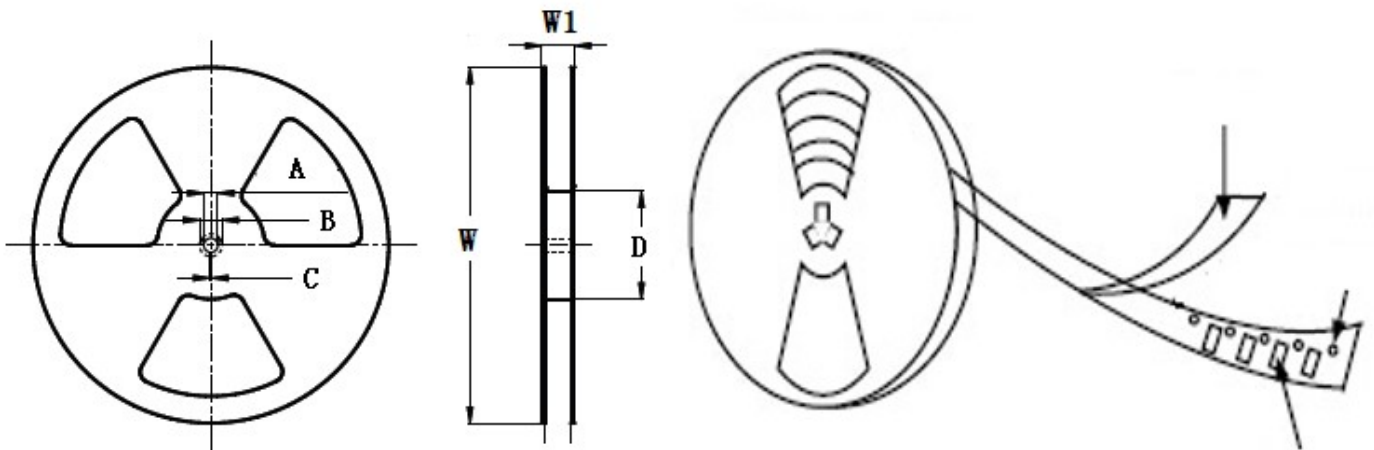
- ※ The saturation current value is the DC current value having inductance decrease down to 30%. (at 20°C)
- ※ The temperature rise current value is the DC current value having temperature increase up to 40°C. (at 20°C)
- ※ The rated current is the DC current value that satisfies both of current value saturation current value and temperature rise current value.

■ Taping Dimensions(Unit:mm)



TYPE	Chip Thickness	W	A	B	D	P	K Max	T Max	MPQ
YNR3015	1.50	8.00	3.30	3.30	3.50	4.00	1.90	0.25	2000

■ Reel Dimensions(Unit:mm)

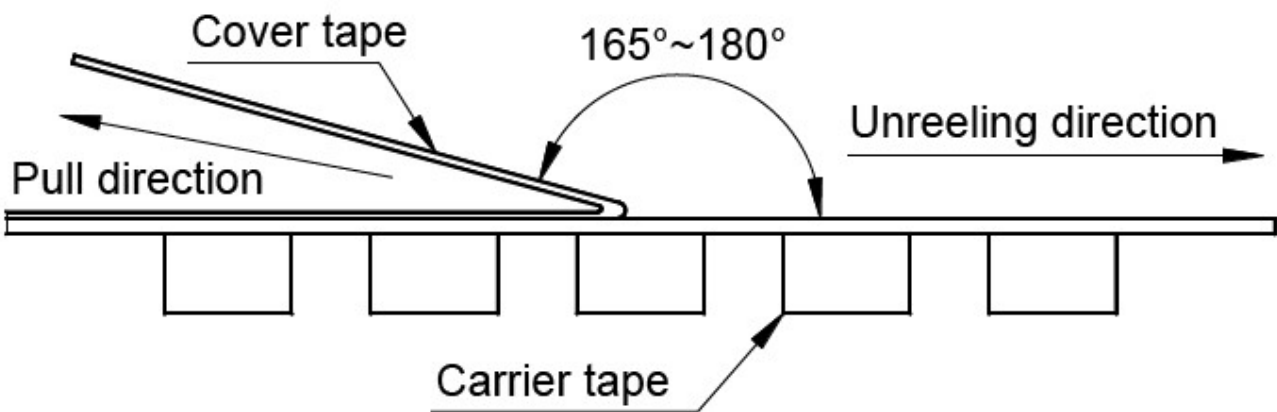


TYPE	W	W1	A	B	C	D
YNR3015	178±2.0	8.40±1.50	4.3±0.20	5.0±0.10	3.0±0.10	58±2.0

Direction of rolling



Cover tape peel off condition



Cover tape peel force shall be 0.1N to 1.3N.

Reference peel speed 300 ± 10 mm/min.

X-ON Electronics

Largest Supplier of Electrical and Electronic Components

Click to view similar products for [Fixed Inductors](#) category:

Click to view products by [YJYCOIN](#) manufacturer:

Other Similar products are found below :

[CR32NP-151KC](#) [CR32NP-180KC](#) [CR32NP-181KC](#) [CR32NP-1R5MC](#) [CR32NP-390KC](#) [CR32NP-3R9MC](#) [CR32NP-680KC](#) [CR32NP-820KC](#) [CR32NP-8R2MC](#) [CR43NP-390KC](#) [CR43NP-560KC](#) [CR43NP-680KC](#) [CR54NP-181KC](#) [CR54NP-470LC](#) [CR54NP-820KC](#) [CR54NP-8R5MC](#) [70F224AI](#) [MGDQ4-00004-P](#) [MHL1ECTTP18NJ](#) [MHQ1005P10NJ](#) [MHQ1005P1N0S](#) [MHQ1005P2N4S](#) [MHQ1005P3N6S](#) [MHQ1005P5N1S](#) [MHQ1005P8N2J](#) [PE-51506NL](#) [PE-53601NL](#) [PE-53602NL](#) [PE-53630NL](#) [PE-53824SNLT](#) [PE-92100NL](#) [PG0434.801NLT](#) [PG0936.113NLT](#) [9220-20](#) [9310-16](#) [PM06-2N7](#) [PM06-39NJ](#) [A01TK](#) [1206CS-471XJ](#) [HC2LP-R47-R](#) [HC2-R47-R](#) [HC3-2R2-R](#) [HCF1305-3R3-R](#) [1206CS-151XG](#) [RCH664NP-140L](#) [RCH664NP-4R7M](#) [RCH8011NP-221L](#) [RCP1317NP-332L](#) [RCP1317NP-391L](#) [RCR1010NP-470M](#)