

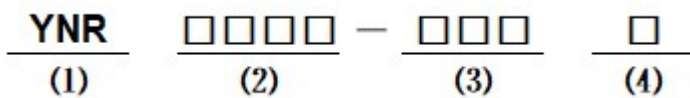
■ Features

- Low profile construction and miniature size.
- Magnetic shielded construction.
- High current saturation.
- Operating temperature:-40°C ~ +125°C.
- RoHS compliant

■ Applications

- For small DC/DC converter(HDD,DVC,DSC,PDA,LCD display etc.).
- Car navigation systems,telecom base stations.
- VR,AR,LED lighting.

■ Product Identification



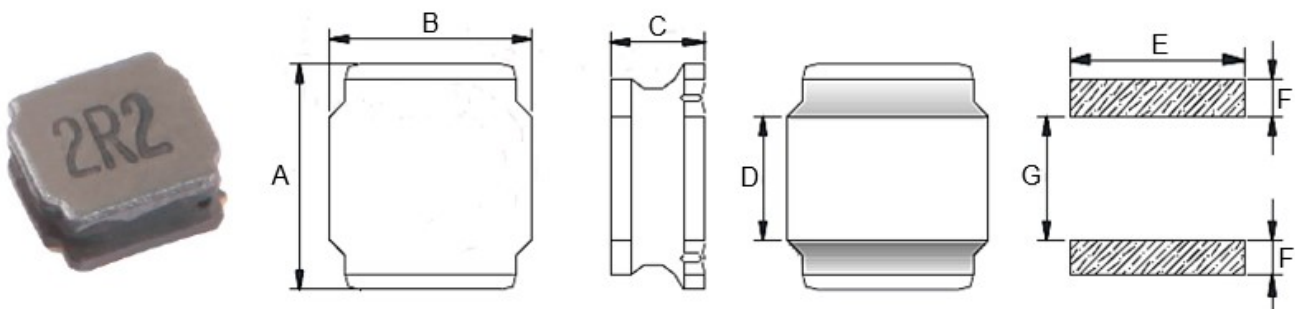
(1) : Type

(2) : Dimensions

(3) : Inductance value

(4) : Inductance Tolerance; N=±30%,M=±20%, K=±10%

■ Shapes and Dimensions (Unit: mm)



TYPE	A	B	C Max.	D	E Ref.	F Ref.	G Ref.
YNR4012	4.0±0.2	4.0±0.2	1.20	0.95±0.2	3.70	1.10	1.90

■ YNR4012 Series

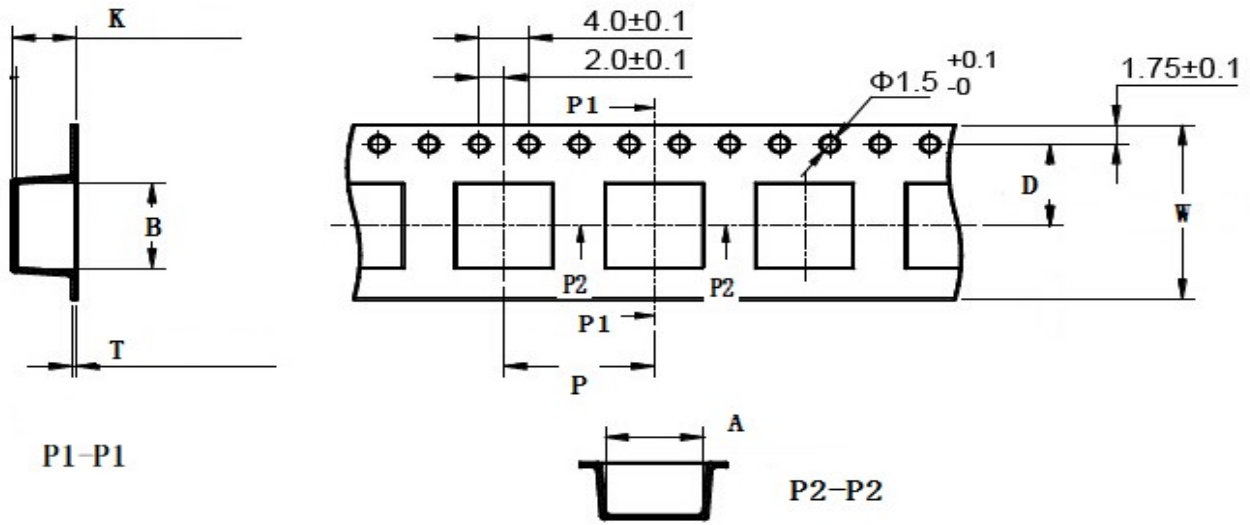
Part Number	Inductance (uH) @100KHz	DC Resistance (Ω)		Heat Rating Current (A)	Saturation Current (A)
		Typ.	Max.		
YNR4012-R47□	0.47	0.038	0.049	3.30	4.00
YNR4012-1R0□	1.00	0.050	0.065	1.65	2.61
YNR4012-1R5□	1.50	0.065	0.085	1.46	2.10
YNR4012-1R8□	1.80	0.080	0.104	1.32	2.12
YNR4012-2R2□	2.20	0.080	0.104	1.32	1.76
YNR4012-2R7□	2.70	0.090	0.117	1.25	1.90
YNR4012-3R3□	3.30	0.110	0.143	1.12	1.72
YNR4012-4R3□	4.30	0.140	0.182	1.00	1.58
YNR4012-4R7□	4.70	0.125	0.163	1.05	1.15
YNR4012-5R1□	5.10	0.155	0.201	0.95	1.55
YNR4012-5R6□	5.60	0.140	0.182	1.00	1.00
YNR4012-6R8□	6.80	0.198	0.257	0.84	0.85
YNR4012-100□	10.0	0.265	0.345	0.77	0.80
YNR4012-120□	12.0	0.290	0.377	0.70	0.66
YNR4012-150□	15.0	0.340	0.442	0.64	0.56
YNR4012-180□	18.0	0.470	0.611	0.55	0.55
YNR4012-220□	22.0	0.587	0.763	0.49	0.46
YNR4012-270□	27.0	0.720	0.936	0.45	0.50
YNR4012-330□	33.0	0.810	1.053	0.42	0.42
YNR4012-360□	36.0	0.900	1.170	0.40	0.40
YNR4012-390□	39.0	1.100	1.430	0.37	0.35
YNR4012-470□	47.0	1.100	1.430	0.37	0.35
YNR4012-560□	56.0	1.250	1.625	0.33	0.33

■ YNR4012 Series

Part Number	Inductance (uH) @100KHz	DC Resistance (Ω)		Heat Rating Current (A)	Saturation Current (A)
		Typ.	Max.		
YNR4012-680□	68.0	1.950	2.535	0.27	0.38
YNR4012-820□	82.0	2.140	2.782	0.26	0.28
YNR4012-101□	100	2.210	2.873	0.25	0.25

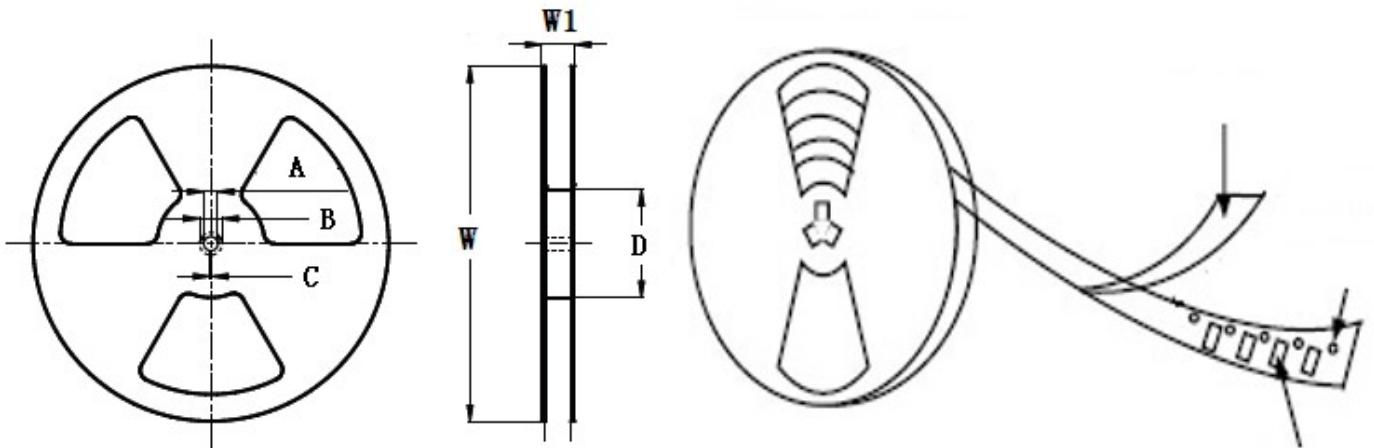
- ※ The saturation current value is the DC current value having inductance decrease down to 30%.(at 20°C)
- ※ The temperature rise current value is the DC current value having temperature increase up to 40°C. (at 20°C)
- ※ The rated current is the DC current value that satisfies both of current value saturation current value and temperature rise current value.

■ Taping Dimensions(Unit:mm)



TYPE	Chip Thickness	W	A	B	D	P	K Max	T Max	MPQ
YNR4012	1.20	12.0	4.30	4.30	5.50	8.00	1.40	0.35	4500

■ Reel Dimensions(Unit:mm)



TYPE	W	W1	A	B	C	D
YNR4012	330±2.0	12.8±1.50	13.0±0.50	21.0±0.80	2.0±0.50	100 Min

Direction of rolling



Cover tape peel off condition



Cover tape peel force shall be 0.1N to 1.3N.

Reference peel speed 300±10mm/min.

X-ON Electronics

Largest Supplier of Electrical and Electronic Components

Click to view similar products for [Fixed Inductors](#) category:

Click to view products by [YJYCOIN](#) manufacturer:

Other Similar products are found below :

[MLZ1608M6R8WTD25](#) [MLZ1608N6R8LT000](#) [MLZ1608N3R3LTD25](#) [MLZ1608N3R3LT000](#) [MLZ1608N150LT000](#)

[MLZ1608M150WTD25](#) [MLZ1608M3R3WTD25](#) [MLZ1608M3R3WT000](#) [MLZ1608M150WT000](#) [MLZ1608A1R5WT000](#)

[MLZ1608N1R5LT000](#) [B82432C1333K000](#) [PCMB053T-1R0MS](#) [PCMB053T-1R5MS](#) [PCMB104T-1R5MS](#) [CR32NP-100KC](#) [CR32NP-](#)

[151KC](#) [CR32NP-180KC](#) [CR32NP-181KC](#) [CR32NP-1R5MC](#) [CR32NP-390KC](#) [CR32NP-3R9MC](#) [CR32NP-680KC](#) [CR32NP-820KC](#)

[CR32NP-8R2MC](#) [CR43NP-390KC](#) [CR43NP-560KC](#) [CR43NP-680KC](#) [CR54NP-181KC](#) [CR54NP-470LC](#) [CR54NP-820KC](#) [CR54NP-8R5MC](#)

[MGDQ4-00004-P](#) [MGDU1-00016-P](#) [MHL1ECTTP18NJ](#) [MHL1JCTTD12NJ](#) [PE-51506NL](#) [PE-53601NL](#) [PE-53630NL](#) [PE-53824SNLT](#) [PE-](#)

[62892NL](#) [PE-92100NL](#) [PG0434.801NLT](#) [PG0936.113NLT](#) [PM06-2N7](#) [PM06-39NJ](#) [HC2LP-R47-R](#) [HC2-R47-R](#) [HC3-2R2-R](#) [HC8-1R2-R](#)