

■ Features

- Low profile construction and miniature size.
- Magnetic shielded construction.
- High current saturation.
- Operating temperature:-40°C ~ +125°C.
- RoHS compliant

■ Applications

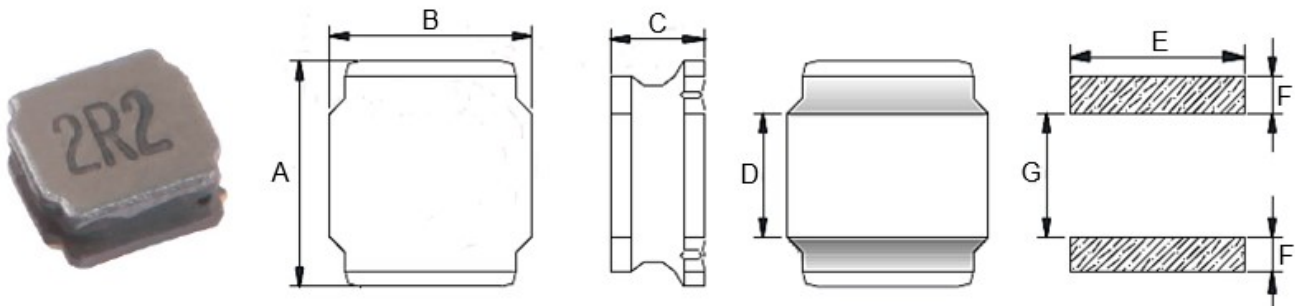
- For small DC/DC converter(HDD,DVC,DSC,PDA,LCD display etc.).
- Car navigation systems,telecom base stations.
- VR,AR,LED lighting.

■ Product Identification



- (1) : Type
- (2) : Dimensions
- (3) : Inductance value
- (4) : Inductance Tolerance; N=±30%,M=±20%, K=±10%

■ Shapes and Dimensions (Unit: mm)



TYPE	A	B	C Max.	D	E Ref.	F Ref.	G Ref.
YNR4030	4.0±0.2	4.0±0.2	3.00	0.95±0.2	3.70	1.10	1.90

■ YNR4030 Series

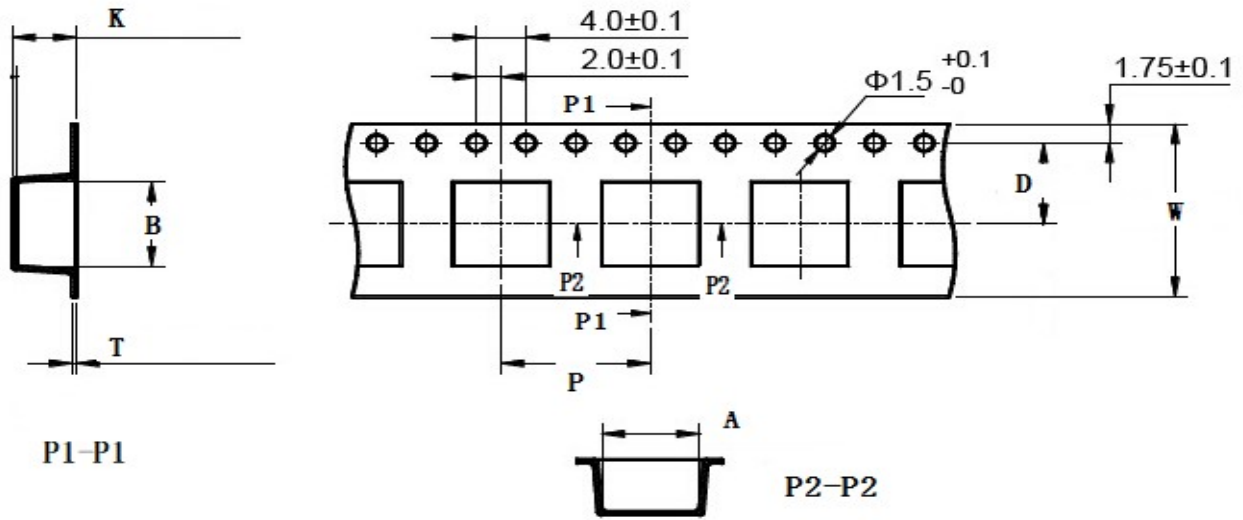
Part Number	Inductance (uH) @100KHz	DC Resistance (Ω)		Heat Rating Current (A)	Saturation Current (A)
		Typ.	Max.		
YNR4030-R47□	0.47	0.008	0.010	5.20	7.80
YNR4030-R68□	0.68	0.010	0.013	4.56	6.80
YNR4030-R91□	0.91	0.013	0.017	4.15	6.25
YNR4030-1R0□	1.00	0.014	0.018	4.15	5.26
YNR4030-1R5□	1.50	0.020	0.026	3.34	4.84
YNR4030-1R8□	1.80	0.025	0.033	3.20	5.40
YNR4030-2R2□	2.20	0.030	0.039	2.95	4.90
YNR4030-3R3□	3.30	0.040	0.052	2.40	3.30
YNR4030-3R9□	3.90	0.057	0.074	2.10	3.00
YNR4030-4R7□	4.70	0.060	0.078	2.00	2.90
YNR4030-5R6□	5.60	0.065	0.085	1.95	2.60
YNR4030-6R8□	6.80	0.090	0.117	1.60	2.75
YNR4030-7R5□	7.50	0.085	0.110	1.65	2.20
YNR4030-8R2□	8.20	0.090	0.117	1.60	2.10
YNR4030-100□	10.0	0.100	0.130	1.50	1.95
YNR4030-120□	12.0	0.135	0.175	1.30	1.70
YNR4030-150□	15.0	0.190	0.247	1.11	1.65
YNR4030-180□	18.0	0.200	0.260	1.10	1.40
YNR4030-220□	22.0	0.225	0.292	1.00	1.30
YNR4030-270□	27.0	0.260	0.338	0.90	1.15
YNR4030-330□	33.0	0.330	0.429	0.84	1.10
YNR4030-360□	36.0	0.335	0.436	0.83	1.05
YNR4030-390□	39.0	0.435	0.566	0.73	1.03

■ YNR4030 Series

Part Number	Inductance (uH) @100KHz	DC Resistance (Ω)		Heat Rating Current (A)	Saturation Current (A)
		Typ.	Max.		
YNR4030-470□	47.0	0.445	0.579	0.72	0.95
YNR4030-510□	51.0	0.470	0.611	0.70	0.90
YNR4030-560□	56.0	0.555	0.722	0.65	0.85
YNR4030-620□	62.0	0.585	0.761	0.63	0.80
YNR4030-680□	68.0	0.868	1.128	0.52	0.72
YNR4030-820□	82.0	1.060	1.378	0.47	0.66
YNR4030-910□	91.0	1.100	1.430	0.46	0.65
YNR4030-101□	100	1.150	1.495	0.45	0.60
YNR4030-121□	120	1.350	1.755	0.42	0.55
YNR4030-151□	150	1.800	2.340	0.30	0.50
YNR4030-221□	220	2.500	3.250	0.35	0.40
YNR4030-331□	330	4.000	5.200	0.25	0.30
YNR4030-471□	470	7.200	9.360	0.20	0.30
YNR4030-501□	500	6.944	9.027	0.15	0.28
YNR4030-681□	680	7.580	9.854	0.14	0.19

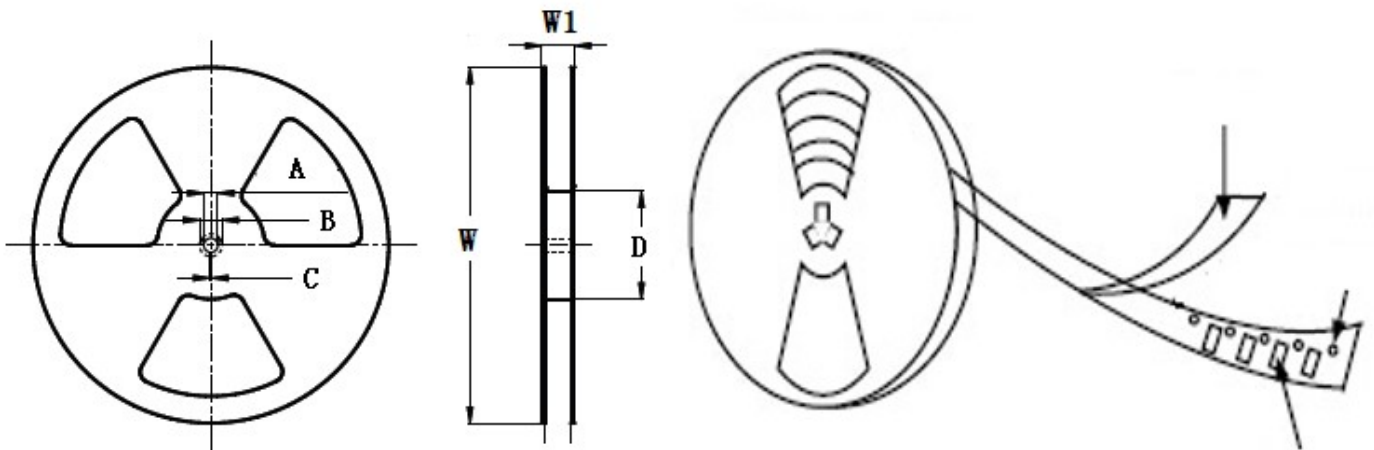
- ※ The saturation current value is the DC current value having inductance decrease down to 30%.(at 20°C)
- ※ The temperature rise current value is the DC current value having temperature increase up to 40°C. (at 20°C)
- ※ The rated current is the DC current value that satisfies both of current value saturation current value and temperature rise current value.

■ Taping Dimensions(Unit:mm)



TYPE	Chip Thickness	W	A	B	D	P	K Max	T Max	MPQ
YNR4030	3.00	12.0	4.30	4.30	5.50	8.00	3.20	0.40	2000

■ Reel Dimensions(Unit:mm)



TYPE	W	W1	A	B	C	D
YNR4030	330±2.0	12.8±1.50	13.0±0.50	21.0±0.80	2.0±0.50	100 Min

Direction of rolling



Cover tape peel off condition



Cover tape peel force shall be 0.1N to 1.3N.

Reference peel speed 300 ± 10 mm/min.

X-ON Electronics

Largest Supplier of Electrical and Electronic Components

Click to view similar products for [Fixed Inductors](#) category:

Click to view products by [YJYCOIN](#) manufacturer:

Other Similar products are found below :

[MLZ1608M6R8WTD25](#) [MLZ1608N6R8LT000](#) [MLZ1608N3R3LTD25](#) [MLZ1608N3R3LT000](#) [MLZ1608N150LT000](#)

[MLZ1608M150WTD25](#) [MLZ1608M3R3WTD25](#) [MLZ1608M3R3WT000](#) [MLZ1608M150WT000](#) [MLZ1608A1R5WT000](#)

[MLZ1608N1R5LT000](#) [B82432C1333K000](#) [PCMB053T-1R0MS](#) [PCMB053T-1R5MS](#) [PCMB104T-1R5MS](#) [CR32NP-100KC](#) [CR32NP-](#)

[151KC](#) [CR32NP-180KC](#) [CR32NP-181KC](#) [CR32NP-1R5MC](#) [CR32NP-390KC](#) [CR32NP-3R9MC](#) [CR32NP-680KC](#) [CR32NP-820KC](#)

[CR32NP-8R2MC](#) [CR43NP-390KC](#) [CR43NP-560KC](#) [CR43NP-680KC](#) [CR54NP-181KC](#) [CR54NP-470LC](#) [CR54NP-820KC](#) [CR54NP-8R5MC](#)

[MGDQ4-00004-P](#) [MGDU1-00016-P](#) [MHL1ECTTP18NJ](#) [MHL1JCTTD12NJ](#) [PE-51506NL](#) [PE-53601NL](#) [PE-53630NL](#) [PE-53824SNLT](#) [PE-](#)

[62892NL](#) [PE-92100NL](#) [PG0434.801NLT](#) [PG0936.113NLT](#) [PM06-2N7](#) [PM06-39NJ](#) [HC2LP-R47-R](#) [HC2-R47-R](#) [HC3-2R2-R](#) [HC8-1R2-R](#)