

**■ Features**

- Low profile construction and miniature size.
- Magnetic shielded construction.
- High current saturation.
- Operating temperature:-40°C ~ +125°C.
- RoHS compliant

**■ Applications**

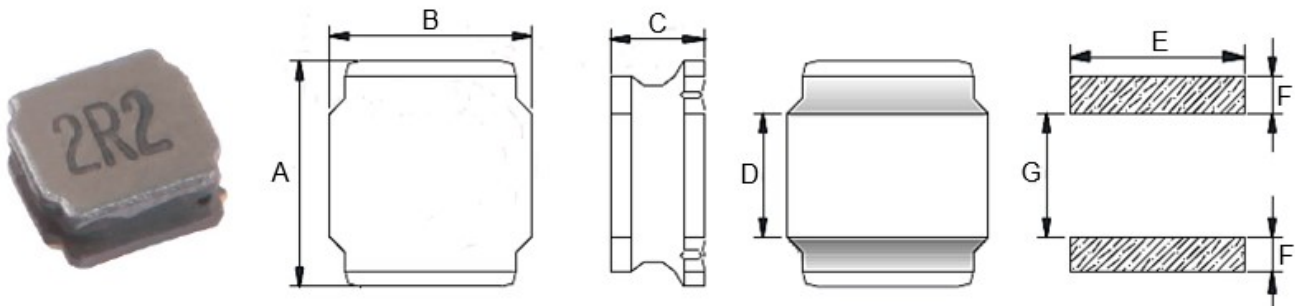
- For small DC/DC converter(HDD,DVC,DSC,PDA,LCD display etc.).
- Car navigation systems,telecom base stations.
- VR,AR,LED lighting.

**■ Product Identification**



- (1) : Type
- (2) : Dimensions
- (3) : Inductance value
- (4) : Inductance Tolerance; N=±30%,M=±20%, K=±10%

**■ Shapes and Dimensions (Unit: mm)**



| TYPE    | A       | B       | C Max. | D        | E Ref. | F Ref. | G Ref. |
|---------|---------|---------|--------|----------|--------|--------|--------|
| YNR4030 | 4.0±0.2 | 4.0±0.2 | 3.00   | 0.95±0.2 | 3.70   | 1.10   | 1.90   |

## ■ YNR4030 Series

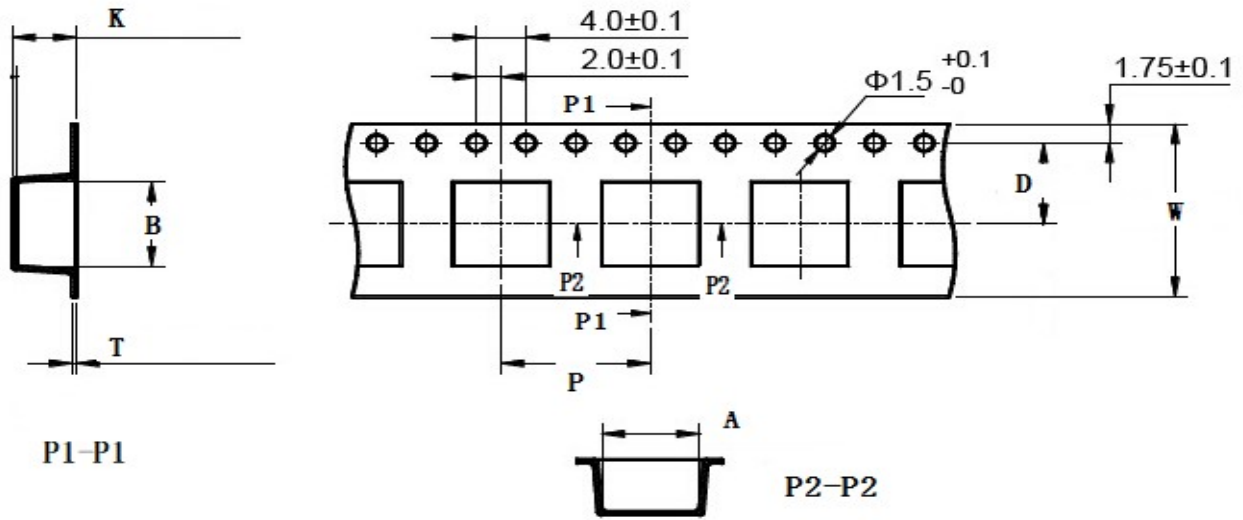
| Part Number  | Inductance<br>(uH) @100KHz | DC Resistance ( $\Omega$ ) |       | Heat Rating<br>Current (A) | Saturation<br>Current (A) |
|--------------|----------------------------|----------------------------|-------|----------------------------|---------------------------|
|              |                            | Typ.                       | Max.  |                            |                           |
| YNR4030-R47□ | 0.47                       | 0.008                      | 0.010 | 5.20                       | 7.80                      |
| YNR4030-R68□ | 0.68                       | 0.010                      | 0.013 | 4.56                       | 6.80                      |
| YNR4030-R91□ | 0.91                       | 0.013                      | 0.017 | 4.15                       | 6.25                      |
| YNR4030-1R0□ | 1.00                       | 0.014                      | 0.018 | 4.15                       | 5.26                      |
| YNR4030-1R5□ | 1.50                       | 0.020                      | 0.026 | 3.34                       | 4.84                      |
| YNR4030-1R8□ | 1.80                       | 0.025                      | 0.033 | 3.20                       | 5.40                      |
| YNR4030-2R2□ | 2.20                       | 0.030                      | 0.039 | 2.95                       | 4.90                      |
| YNR4030-3R3□ | 3.30                       | 0.040                      | 0.052 | 2.40                       | 3.30                      |
| YNR4030-3R9□ | 3.90                       | 0.057                      | 0.074 | 2.10                       | 3.00                      |
| YNR4030-4R7□ | 4.70                       | 0.060                      | 0.078 | 2.00                       | 2.90                      |
| YNR4030-5R6□ | 5.60                       | 0.065                      | 0.085 | 1.95                       | 2.60                      |
| YNR4030-6R8□ | 6.80                       | 0.090                      | 0.117 | 1.60                       | 2.75                      |
| YNR4030-7R5□ | 7.50                       | 0.085                      | 0.110 | 1.65                       | 2.20                      |
| YNR4030-8R2□ | 8.20                       | 0.090                      | 0.117 | 1.60                       | 2.10                      |
| YNR4030-100□ | 10.0                       | 0.100                      | 0.130 | 1.50                       | 1.95                      |
| YNR4030-120□ | 12.0                       | 0.135                      | 0.175 | 1.30                       | 1.70                      |
| YNR4030-150□ | 15.0                       | 0.190                      | 0.247 | 1.11                       | 1.65                      |
| YNR4030-180□ | 18.0                       | 0.200                      | 0.260 | 1.10                       | 1.40                      |
| YNR4030-220□ | 22.0                       | 0.225                      | 0.292 | 1.00                       | 1.30                      |
| YNR4030-270□ | 27.0                       | 0.260                      | 0.338 | 0.90                       | 1.15                      |
| YNR4030-330□ | 33.0                       | 0.330                      | 0.429 | 0.84                       | 1.10                      |
| YNR4030-360□ | 36.0                       | 0.335                      | 0.436 | 0.83                       | 1.05                      |
| YNR4030-390□ | 39.0                       | 0.435                      | 0.566 | 0.73                       | 1.03                      |

## ■ YNR4030 Series

| Part Number  | Inductance<br>(uH) @100KHz | DC Resistance ( $\Omega$ ) |       | Heat Rating<br>Current (A) | Saturation<br>Current (A) |
|--------------|----------------------------|----------------------------|-------|----------------------------|---------------------------|
|              |                            | Typ.                       | Max.  |                            |                           |
| YNR4030-470□ | 47.0                       | 0.445                      | 0.579 | 0.72                       | 0.95                      |
| YNR4030-510□ | 51.0                       | 0.470                      | 0.611 | 0.70                       | 0.90                      |
| YNR4030-560□ | 56.0                       | 0.555                      | 0.722 | 0.65                       | 0.85                      |
| YNR4030-620□ | 62.0                       | 0.585                      | 0.761 | 0.63                       | 0.80                      |
| YNR4030-680□ | 68.0                       | 0.868                      | 1.128 | 0.52                       | 0.72                      |
| YNR4030-820□ | 82.0                       | 1.060                      | 1.378 | 0.47                       | 0.66                      |
| YNR4030-910□ | 91.0                       | 1.100                      | 1.430 | 0.46                       | 0.65                      |
| YNR4030-101□ | 100                        | 1.150                      | 1.495 | 0.45                       | 0.60                      |
| YNR4030-121□ | 120                        | 1.350                      | 1.755 | 0.42                       | 0.55                      |
| YNR4030-151□ | 150                        | 1.800                      | 2.340 | 0.30                       | 0.50                      |
| YNR4030-221□ | 220                        | 2.500                      | 3.250 | 0.35                       | 0.40                      |
| YNR4030-331□ | 330                        | 4.000                      | 5.200 | 0.25                       | 0.30                      |
| YNR4030-471□ | 470                        | 7.200                      | 9.360 | 0.20                       | 0.30                      |
| YNR4030-501□ | 500                        | 6.944                      | 9.027 | 0.15                       | 0.28                      |
| YNR4030-681□ | 680                        | 7.580                      | 9.854 | 0.14                       | 0.19                      |

- ※ The saturation current value is the DC current value having inductance decrease down to 30%.(at 20°C)
- ※ The temperature rise current value is the DC current value having temperature increase up to 40°C. (at 20°C)
- ※ The rated current is the DC current value that satisfies both of current value saturation current value and temperature rise current value.

**■ Taping Dimensions(Unit:mm)**



| TYPE    | Chip Thickness | W    | A    | B    | D    | P    | K Max | T Max | MPQ  |
|---------|----------------|------|------|------|------|------|-------|-------|------|
| YNR4030 | 3.00           | 12.0 | 4.30 | 4.30 | 5.50 | 8.00 | 3.20  | 0.40  | 2000 |

**■ Reel Dimensions(Unit:mm)**



| TYPE    | W       | W1        | A         | B         | C        | D       |
|---------|---------|-----------|-----------|-----------|----------|---------|
| YNR4030 | 330±2.0 | 12.8±1.50 | 13.0±0.50 | 21.0±0.80 | 2.0±0.50 | 100 Min |

**Direction of rolling**



**Cover tape peel off condition**



Cover tape peel force shall be 0.1N to 1.3N.

Reference peel speed 300±10mm/min.

## X-ON Electronics

Largest Supplier of Electrical and Electronic Components

*Click to view similar products for [Fixed Inductors](#) category:*

*Click to view products by [YJYCOIN](#) manufacturer:*

Other Similar products are found below :

[CR32NP-151KC](#) [CR32NP-180KC](#) [CR32NP-181KC](#) [CR32NP-1R5MC](#) [CR32NP-390KC](#) [CR32NP-3R9MC](#) [CR32NP-680KC](#) [CR32NP-820KC](#) [CR32NP-8R2MC](#) [CR43NP-390KC](#) [CR43NP-560KC](#) [CR43NP-680KC](#) [CR54NP-181KC](#) [CR54NP-470LC](#) [CR54NP-820KC](#) [CR54NP-8R5MC](#) [70F224AI](#) [MGDQ4-00004-P](#) [MHL1ECTTP18NJ](#) [MHQ1005P10NJ](#) [MHQ1005P1N0S](#) [MHQ1005P2N4S](#) [MHQ1005P3N6S](#) [MHQ1005P5N1S](#) [MHQ1005P8N2J](#) [PE-51506NL](#) [PE-53601NL](#) [PE-53602NL](#) [PE-53630NL](#) [PE-53824SNLT](#) [PE-92100NL](#) [PG0434.801NLT](#) [PG0936.113NLT](#) [9220-20](#) [9310-16](#) [PM06-2N7](#) [PM06-39NJ](#) [A01TK](#) [1206CS-471XJ](#) [HC2LP-R47-R](#) [HC2-R47-R](#) [HC3-2R2-R](#) [HCF1305-3R3-R](#) [1206CS-151XG](#) [RCH664NP-140L](#) [RCH664NP-4R7M](#) [RCH8011NP-221L](#) [RCP1317NP-332L](#) [RCP1317NP-391L](#) [RCR1010NP-470M](#)