

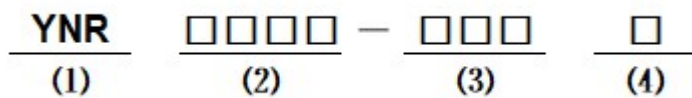
**■ Features**

- Low profile construction and miniature size.
- Magnetic shielded construction.
- High current saturation.
- Operating temperature:-40°C ~ +125°C.
- RoHS compliant

**■ Applications**

- For small DC/DC converter(HDD,DVC,DSC,PDA,LCD display etc.).
- Car navigation systems,telecom base stations.
- VR,AR,LED lighting.

**■ Product Identification**



- (1) : Type
- (2) : Dimensions
- (3) : Inductance value
- (4) : Inductance Tolerance; N=±30%,M=±20%, K=±10%

**■ Shapes and Dimensions (Unit: mm)**



| TYPE    | A       | B       | C Max. | D        | E Ref. | F Ref. | G Ref. |
|---------|---------|---------|--------|----------|--------|--------|--------|
| YNR5040 | 5.0±0.2 | 5.0±0.2 | 4.00   | 1.25±0.2 | 4.70   | 1.40   | 2.30   |

### ■ YNR5040 Series

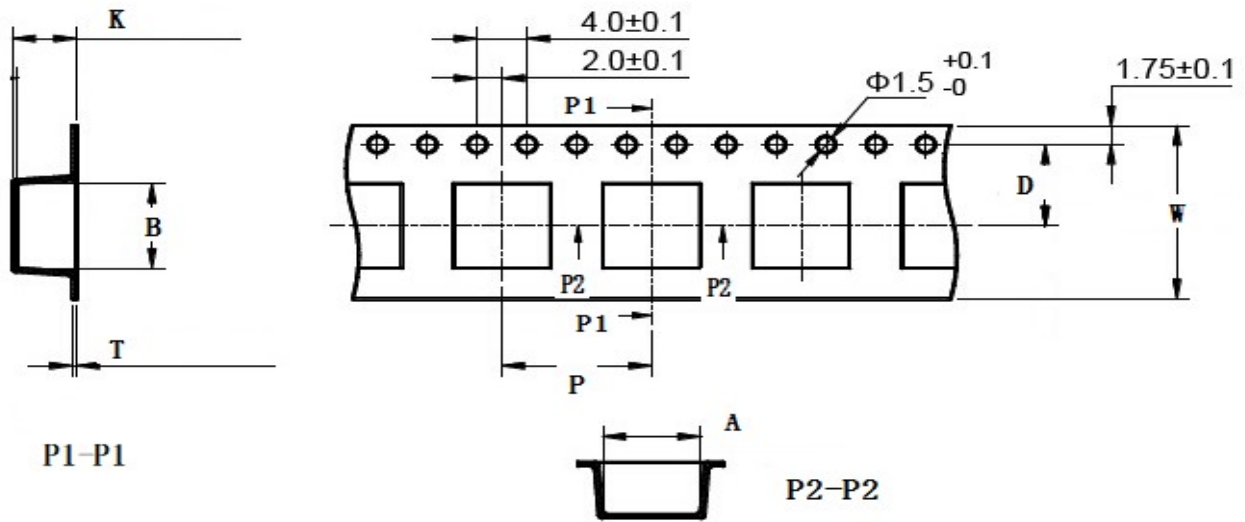
| Part Number  | Inductance<br>(uH) @100KHz | DC Resistance ( $\Omega$ ) |       | Heat Rating<br>Current (A) | Saturation<br>Current (A) |
|--------------|----------------------------|----------------------------|-------|----------------------------|---------------------------|
|              |                            | Typ.                       | Max.  |                            |                           |
| YNR5040-R22□ | 0.22                       | 0.006                      | 0.008 | 6.500                      | 18.000                    |
| YNR5040-R24□ | 0.24                       | 0.006                      | 0.008 | 6.400                      | 15.700                    |
| YNR5040-R47□ | 0.47                       | 0.007                      | 0.009 | 6.600                      | 10.000                    |
| YNR5040-1R0□ | 1.00                       | 0.012                      | 0.016 | 4.900                      | 7.350                     |
| YNR5040-1R5□ | 1.50                       | 0.015                      | 0.020 | 4.300                      | 6.300                     |
| YNR5040-1R8□ | 1.80                       | 0.016                      | 0.021 | 4.150                      | 5.500                     |
| YNR5040-2R2□ | 2.20                       | 0.019                      | 0.025 | 3.800                      | 4.900                     |
| YNR5040-2R7□ | 2.70                       | 0.022                      | 0.029 | 3.600                      | 4.300                     |
| YNR5040-3R0□ | 3.00                       | 0.022                      | 0.029 | 3.600                      | 4.150                     |
| YNR5040-3R3□ | 3.30                       | 0.024                      | 0.031 | 3.400                      | 3.950                     |
| YNR5040-3R6□ | 3.60                       | 0.026                      | 0.034 | 3.300                      | 3.800                     |
| YNR5040-3R9□ | 3.90                       | 0.027                      | 0.035 | 3.200                      | 3.550                     |
| YNR5040-4R7□ | 4.70                       | 0.030                      | 0.039 | 3.000                      | 3.500                     |
| YNR5040-5R6□ | 5.60                       | 0.035                      | 0.046 | 2.800                      | 3.000                     |
| YNR5040-6R8□ | 6.80                       | 0.043                      | 0.056 | 2.500                      | 2.900                     |
| YNR5040-8R2□ | 8.20                       | 0.048                      | 0.062 | 2.300                      | 2.700                     |
| YNR5040-100□ | 10.0                       | 0.064                      | 0.083 | 2.100                      | 2.350                     |
| YNR5040-120□ | 12.0                       | 0.077                      | 0.100 | 2.000                      | 2.200                     |
| YNR5040-150□ | 15.0                       | 0.086                      | 0.112 | 2.000                      | 2.000                     |
| YNR5040-180□ | 18.0                       | 0.119                      | 0.155 | 1.450                      | 1.700                     |
| YNR5040-220□ | 22.0                       | 0.129                      | 0.168 | 1.500                      | 1.600                     |
| YNR5040-270□ | 27.0                       | 0.188                      | 0.244 | 1.100                      | 1.520                     |
| YNR5040-330□ | 33.0                       | 0.188                      | 0.244 | 1.200                      | 1.300                     |
| YNR5040-470□ | 47.0                       | 0.272                      | 0.354 | 1.000                      | 1.100                     |

## ■ YNR5040 Series

| Part Number  | Inductance<br>(uH) @100KHz | DC Resistance ( $\Omega$ ) |        | Heat Rating<br>Current (A) | Saturation<br>Current (A) |
|--------------|----------------------------|----------------------------|--------|----------------------------|---------------------------|
|              |                            | Typ.                       | Max.   |                            |                           |
| YNR5040-510□ | 51.0                       | 0.380                      | 0.494  | 1.000                      | 1.000                     |
| YNR5040-560□ | 56.0                       | 0.380                      | 0.494  | 0.800                      | 1.050                     |
| YNR5040-680□ | 68.0                       | 0.400                      | 0.520  | 0.800                      | 0.900                     |
| YNR5040-750□ | 75.0                       | 0.450                      | 0.585  | 0.720                      | 0.850                     |
| YNR5040-101□ | 100                        | 0.560                      | 0.728  | 0.700                      | 0.750                     |
| YNR5040-151□ | 150                        | 0.750                      | 0.975  | 0.600                      | 0.650                     |
| YNR5040-221□ | 220                        | 1.400                      | 1.820  | 0.400                      | 0.480                     |
| YNR5040-331□ | 330                        | 2.100                      | 2.730  | 0.400                      | 0.420                     |
| YNR5040-471□ | 470                        | 3.000                      | 3.900  | 0.350                      | 0.370                     |
| YNR5040-561□ | 560                        | 3.780                      | 4.920  | 0.310                      | 0.310                     |
| YNR5040-681□ | 680                        | 3.900                      | 5.070  | 0.25                       | 0.300                     |
| YNR5040-102□ | 1000                       | 6.000                      | 7.800  | 0.200                      | 0.210                     |
| YNR5040-152□ | 1500                       | 8.140                      | 10.582 | 0.190                      | 0.200                     |
| YNR5040-202□ | 2000                       | 12.300                     | 14.760 | 0.140                      | 0.170                     |
| YNR5040-282□ | 2800                       | 19.000                     | 24.700 | 0.105                      | 0.150                     |
| YNR5040-332□ | 3300                       | 21.000                     | 25.200 | 0.100                      | 0.140                     |
| YNR5040-392□ | 3900                       | 23.500                     | 30.550 | 0.100                      | 0.125                     |
| YNR5040-472□ | 4700                       | 35.000                     | 45.500 | 0.080                      | 0.110                     |
| YNR5040-562□ | 5600                       | 39.000                     | 50.70  | 0.080                      | 0.105                     |
| YNR5040-682□ | 6800                       | 43.000                     | 55.900 | 0.075                      | 0.090                     |
| YNR5040-822□ | 8200                       | 43.000                     | 55.900 | 0.075                      | 0.070                     |
| YNR5040-103□ | 10000                      | 45.000                     | 58.500 | 0.075                      | 0.065                     |

- ※ The saturation current value is the DC current value having inductance decrease down to 30%.(at 20°C)
- ※ The temperature rise current value is the DC current value having temperature increase up to 40°C. (at 20°C)
- ※ The rated current is the DC current value that satisfies both of current value saturation current value and temperature rise current value.

**■ Taping Dimensions(Unit:mm)**



| TYPE    | Chip Thickness | W    | A    | B    | D    | P    | K Max | T Max | MPQ  |
|---------|----------------|------|------|------|------|------|-------|-------|------|
| YNR5040 | 4.00           | 12.0 | 5.30 | 5.30 | 5.50 | 8.00 | 4.20  | 0.40  | 1500 |

**■ Reel Dimensions(Unit:mm)**

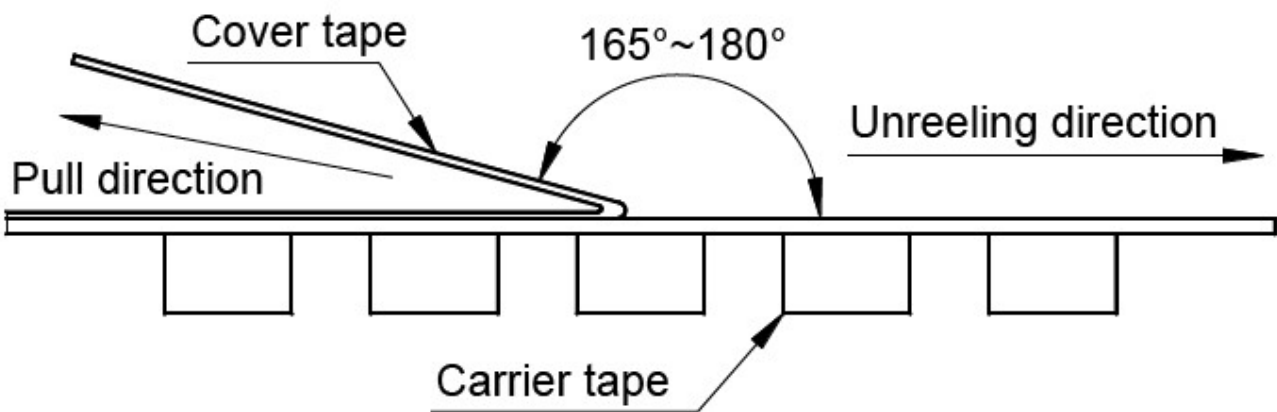


| TYPE    | W       | W1        | A         | B         | C        | D       |
|---------|---------|-----------|-----------|-----------|----------|---------|
| YNR5040 | 330±2.0 | 12.8±1.50 | 13.0±0.50 | 21.0±0.80 | 2.0±0.50 | 100 Min |

**Direction of rolling**



**Cover tape peel off condition**



Cover tape peel force shall be 0.1N to 1.3N.

Reference peel speed  $300 \pm 10$ mm/min.

## X-ON Electronics

Largest Supplier of Electrical and Electronic Components

*Click to view similar products for [Fixed Inductors](#) category:*

*Click to view products by [YJYCOIN](#) manufacturer:*

Other Similar products are found below :

[CR32NP-151KC](#) [CR32NP-180KC](#) [CR32NP-181KC](#) [CR32NP-1R5MC](#) [CR32NP-390KC](#) [CR32NP-3R9MC](#) [CR32NP-680KC](#) [CR32NP-820KC](#) [CR32NP-8R2MC](#) [CR43NP-390KC](#) [CR43NP-560KC](#) [CR43NP-680KC](#) [CR54NP-181KC](#) [CR54NP-470LC](#) [CR54NP-820KC](#) [CR54NP-8R5MC](#) [70F224AI](#) [MGDQ4-00004-P](#) [MHL1ECTTP18NJ](#) [MHQ1005P10NJ](#) [MHQ1005P1N0S](#) [MHQ1005P2N4S](#) [MHQ1005P3N6S](#) [MHQ1005P5N1S](#) [MHQ1005P8N2J](#) [PE-51506NL](#) [PE-53601NL](#) [PE-53602NL](#) [PE-53630NL](#) [PE-53824SNLT](#) [PE-92100NL](#) [PG0434.801NLT](#) [PG0936.113NLT](#) [9220-20](#) [9310-16](#) [PM06-2N7](#) [PM06-39NJ](#) [A01TK](#) [1206CS-471XJ](#) [HC2LP-R47-R](#) [HC2-R47-R](#) [HC3-2R2-R](#) [HCF1305-3R3-R](#) [1206CS-151XG](#) [RCH664NP-140L](#) [RCH664NP-4R7M](#) [RCH8011NP-221L](#) [RCP1317NP-332L](#) [RCP1317NP-391L](#) [RCR1010NP-470M](#)