

**■ Features**

- Low profile construction and miniature size.
- Magnetic shielded construction.
- High current saturation.
- Operating temperature:-40°C ~ +125°C.
- RoHS compliant

**■ Applications**

- For small DC/DC converter(HDD,DVC,DSC,PDA,LCD display etc.).
- Car navigation systems,telecom base stations.
- VR,AR,LED lighting.

**■ Product Identification**



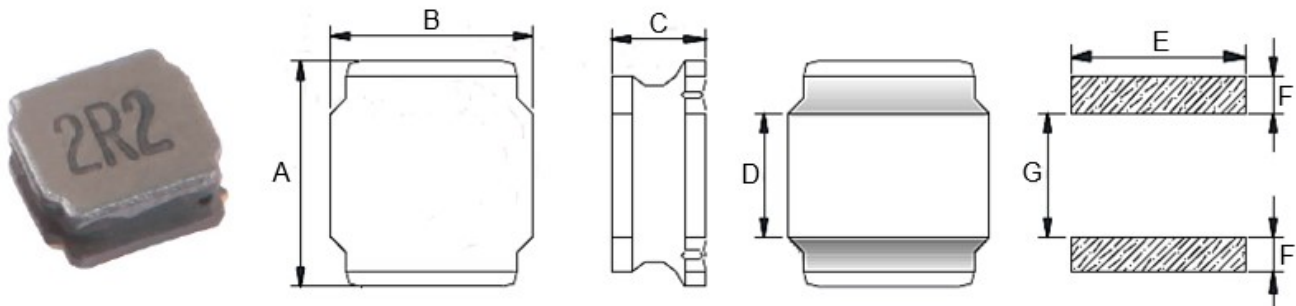
(1) : Type

(2) : Dimensions

(3) : Inductance value

(4) : Inductance Tolerance; N=±30%,M=±20%, K=±10%

**■ Shapes and Dimensions (Unit: mm)**



| TYPE    | A       | B       | C Max. | D        | E Ref. | F Ref. | G Ref. |
|---------|---------|---------|--------|----------|--------|--------|--------|
| YNR6020 | 6.0±0.3 | 6.0±0.3 | 2.00   | 1.55±0.3 | 5.70   | 1.70   | 2.80   |

## ■ YNR6020 Series

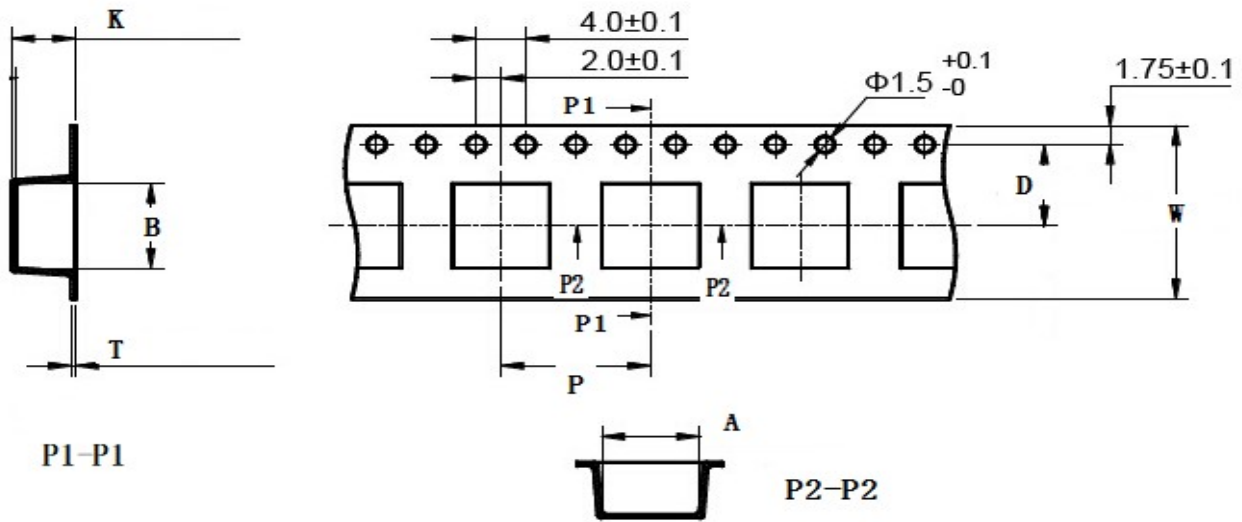
| Part Number  | Inductance<br>(uH) @100KHz | DC Resistance ( $\Omega$ ) |       | Heat Rating<br>Current (A) | Saturation<br>Current (A) |
|--------------|----------------------------|----------------------------|-------|----------------------------|---------------------------|
|              |                            | Typ.                       | Max.  |                            |                           |
| YNR6020-R68□ | 0.68                       | 0.017                      | 0.022 | 3.80                       | 6.55                      |
| YNR6020-R82□ | 0.82                       | 0.017                      | 0.022 | 3.80                       | 5.30                      |
| YNR6020-1R0□ | 1.00                       | 0.020                      | 0.020 | 3.50                       | 4.15                      |
| YNR6020-1R5□ | 1.50                       | 0.022                      | 0.029 | 3.20                       | 4.25                      |
| YNR6020-1R8□ | 1.80                       | 0.028                      | 0.036 | 2.75                       | 4.85                      |
| YNR6020-2R2□ | 2.20                       | 0.028                      | 0.036 | 2.75                       | 3.75                      |
| YNR6020-2R7□ | 2.70                       | 0.035                      | 0.046 | 2.60                       | 3.90                      |
| YNR6020-3R3□ | 3.30                       | 0.035                      | 0.046 | 2.60                       | 3.15                      |
| YNR6020-3R9□ | 3.90                       | 0.049                      | 0.064 | 2.10                       | 3.25                      |
| YNR6020-4R7□ | 4.70                       | 0.058                      | 0.075 | 2.00                       | 3.00                      |
| YNR6020-5R6□ | 5.60                       | 0.058                      | 0.075 | 1.90                       | 2.40                      |
| YNR6020-6R2□ | 6.20                       | 0.079                      | 0.103 | 1.80                       | 2.30                      |
| YNR6020-6R8□ | 6.80                       | 0.079                      | 0.103 | 1.80                       | 2.20                      |
| YNR6020-8R2□ | 8.20                       | 0.105                      | 0.137 | 1.40                       | 2.10                      |
| YNR6020-100□ | 10.0                       | 0.105                      | 0.137 | 1.40                       | 1.75                      |
| YNR6020-120□ | 12.0                       | 0.120                      | 0.156 | 1.30                       | 1.45                      |
| YNR6020-150□ | 15.0                       | 0.145                      | 0.189 | 1.20                       | 1.20                      |
| YNR6020-180□ | 18.0                       | 0.180                      | 0.234 | 1.08                       | 1.20                      |
| YNR6020-220□ | 22.0                       | 0.204                      | 0.265 | 1.00                       | 1.05                      |
| YNR6020-330□ | 33.0                       | 0.300                      | 0.390 | 0.84                       | 0.95                      |
| YNR6020-470□ | 47.0                       | 0.430                      | 0.559 | 0.80                       | 0.70                      |
| YNR6020-680□ | 68.0                       | 0.630                      | 0.820 | 0.75                       | 0.50                      |
| YNR6020-101□ | 100                        | 1.000                      | 1.200 | 0.50                       | 0.64                      |

## ■ YNR6020 Series

| Part Number  | Inductance<br>(uH) @100KHz | DC Resistance ( $\Omega$ ) |       | Heat Rating<br>Current (A) | Saturation<br>Current (A) |
|--------------|----------------------------|----------------------------|-------|----------------------------|---------------------------|
|              |                            | Typ.                       | Max.  |                            |                           |
| YNR6020-151□ | 150                        | 1.600                      | 2.080 | 0.45                       | 0.50                      |
| YNR6020-221□ | 220                        | 2.662                      | 3.461 | 0.33                       | 0.45                      |
| YNR6020-331□ | 330                        | 2.630                      | 3.419 | 0.33                       | 0.27                      |

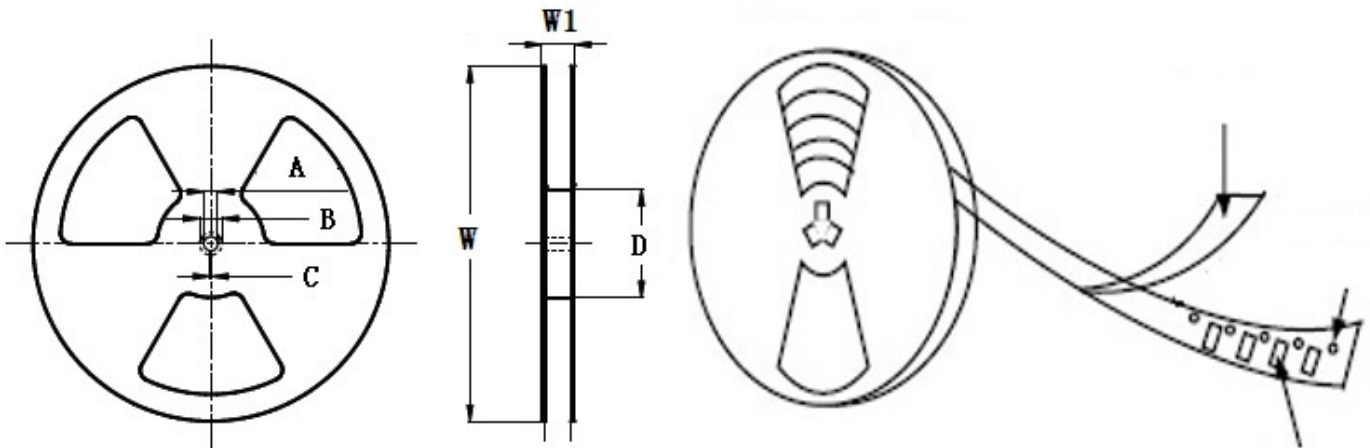
- ※ The saturation current value is the DC current value having inductance decrease down to 30%. (at 20°C)
- ※ The temperature rise current value is the DC current value having temperature increase up to 40°C. (at 20°C)
- ※ The rated current is the DC current value that satisfies both of current value saturation current value and temperature rise current value.

**■ Taping Dimensions(Unit:mm)**



| TYPE    | Chip Thickness | W    | A    | B    | D    | P    | K Max | T Max | MPQ  |
|---------|----------------|------|------|------|------|------|-------|-------|------|
| YNR6020 | 2.00           | 16.0 | 6.30 | 6.30 | 7.50 | 8.00 | 2.50  | 0.40  | 2000 |

**■ Reel Dimensions(Unit:mm)**



| TYPE    | W       | W1        | A         | B         | C        | D       |
|---------|---------|-----------|-----------|-----------|----------|---------|
| YNR6020 | 330±2.0 | 16.5±1.50 | 13.0±0.50 | 21.0±0.80 | 2.0±0.50 | 100 Min |

**Direction of rolling**



**Cover tape peel off condition**



Cover tape peel force shall be 0.1N to 1.3N.

Reference peel speed  $300 \pm 10$ mm/min.

## X-ON Electronics

Largest Supplier of Electrical and Electronic Components

*Click to view similar products for [Fixed Inductors](#) category:*

*Click to view products by [YJYCOIN](#) manufacturer:*

Other Similar products are found below :

[MLZ1608M6R8WTD25](#) [MLZ1608N6R8LT000](#) [MLZ1608N3R3LTD25](#) [MLZ1608N3R3LT000](#) [MLZ1608N150LT000](#)

[MLZ1608M150WTD25](#) [MLZ1608M3R3WTD25](#) [MLZ1608M3R3WT000](#) [MLZ1608M150WT000](#) [MLZ1608A1R5WT000](#)

[MLZ1608N1R5LT000](#) [B82432C1333K000](#) [PCMB053T-1R0MS](#) [PCMB053T-1R5MS](#) [PCMB104T-1R5MS](#) [CR32NP-100KC](#) [CR32NP-](#)

[151KC](#) [CR32NP-180KC](#) [CR32NP-181KC](#) [CR32NP-1R5MC](#) [CR32NP-390KC](#) [CR32NP-3R9MC](#) [CR32NP-680KC](#) [CR32NP-820KC](#)

[CR32NP-8R2MC](#) [CR43NP-390KC](#) [CR43NP-560KC](#) [CR43NP-680KC](#) [CR54NP-181KC](#) [CR54NP-470LC](#) [CR54NP-820KC](#) [CR54NP-8R5MC](#)

[MGDQ4-00004-P](#) [MGDU1-00016-P](#) [MHL1ECTTP18NJ](#) [MHL1JCTTD12NJ](#) [PE-51506NL](#) [PE-53601NL](#) [PE-53630NL](#) [PE-53824SNLT](#) [PE-](#)

[62892NL](#) [PE-92100NL](#) [PG0434.801NLT](#) [PG0936.113NLT](#) [PM06-2N7](#) [PM06-39NJ](#) [HC2LP-R47-R](#) [HC2-R47-R](#) [HC3-2R2-R](#) [HC8-1R2-R](#)