

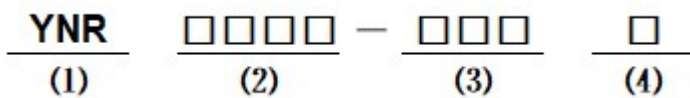
■ Features

- Low profile construction and miniature size.
- Magnetic shielded construction.
- High current saturation.
- Operating temperature: -40°C ~ +125°C.
- RoHS compliant

■ Applications

- For small DC/DC converter(HDD,DVC,DSC,PDA,LCD display etc.).
- Car navigation systems,telecom base stations.
- VR,AR,LED lighting.

■ Product Identification



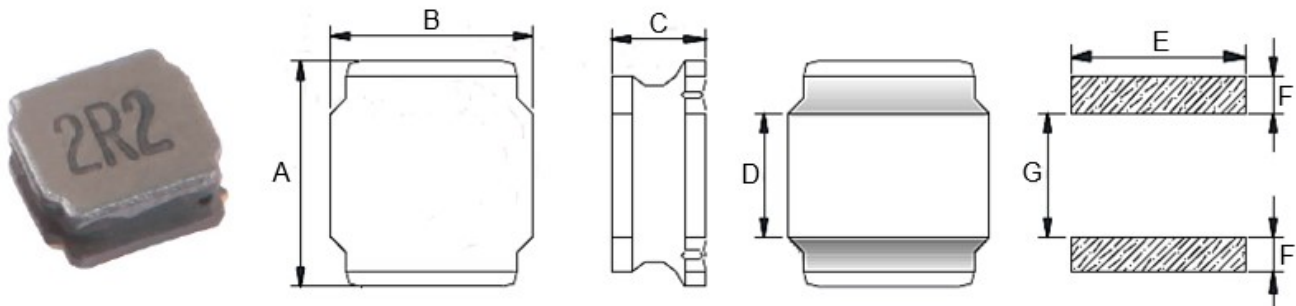
(1) : Type

(2) : Dimensions

(3) : Inductance value

(4) : Inductance Tolerance; N=±30%,M=±20%, K=±10%

■ Shapes and Dimensions (Unit: mm)



TYPE	A	B	C Max.	D	E Ref.	F Ref.	G Ref.
YNR6020	6.0±0.3	6.0±0.3	2.00	1.55±0.3	5.70	1.70	2.80

■ YNR6020 Series

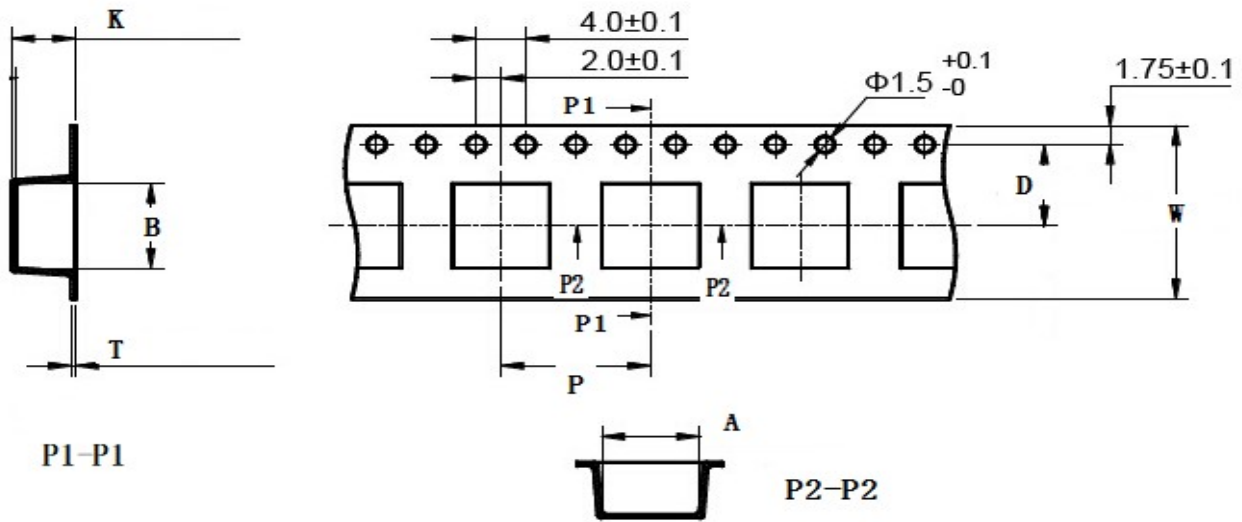
Part Number	Inductance (uH) @100KHz	DC Resistance (Ω)		Heat Rating Current (A)	Saturation Current (A)
		Typ.	Max.		
YNR6020-R68□	0.68	0.017	0.022	3.80	6.55
YNR6020-R82□	0.82	0.017	0.022	3.80	5.30
YNR6020-1R0□	1.00	0.020	0.020	3.50	4.15
YNR6020-1R5□	1.50	0.022	0.029	3.20	4.25
YNR6020-1R8□	1.80	0.028	0.036	2.75	4.85
YNR6020-2R2□	2.20	0.028	0.036	2.75	3.75
YNR6020-2R7□	2.70	0.035	0.046	2.60	3.90
YNR6020-3R3□	3.30	0.035	0.046	2.60	3.15
YNR6020-3R9□	3.90	0.049	0.064	2.10	3.25
YNR6020-4R7□	4.70	0.058	0.075	2.00	3.00
YNR6020-5R6□	5.60	0.058	0.075	1.90	2.40
YNR6020-6R2□	6.20	0.079	0.103	1.80	2.30
YNR6020-6R8□	6.80	0.079	0.103	1.80	2.20
YNR6020-8R2□	8.20	0.105	0.137	1.40	2.10
YNR6020-100□	10.0	0.105	0.137	1.40	1.75
YNR6020-120□	12.0	0.120	0.156	1.30	1.45
YNR6020-150□	15.0	0.145	0.189	1.20	1.20
YNR6020-180□	18.0	0.180	0.234	1.08	1.20
YNR6020-220□	22.0	0.204	0.265	1.00	1.05
YNR6020-330□	33.0	0.300	0.390	0.84	0.95
YNR6020-470□	47.0	0.430	0.559	0.80	0.70
YNR6020-680□	68.0	0.630	0.820	0.75	0.50
YNR6020-101□	100	1.000	1.200	0.50	0.64

■ YNR6020 Series

Part Number	Inductance (uH) @100KHz	DC Resistance (Ω)		Heat Rating Current (A)	Saturation Current (A)
		Typ.	Max.		
YNR6020-151□	150	1.600	2.080	0.45	0.50
YNR6020-221□	220	2.662	3.461	0.33	0.45
YNR6020-331□	330	2.630	3.419	0.33	0.27

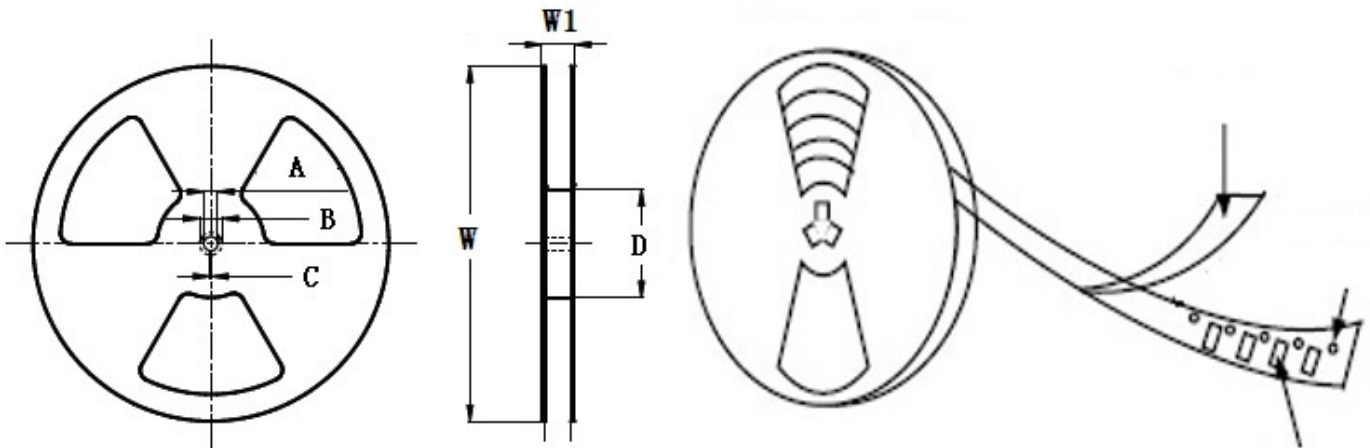
- ※ The saturation current value is the DC current value having inductance decrease down to 30%.(at 20°C)
- ※ The temperature rise current value is the DC current value having temperature increase up to 40°C. (at 20°C)
- ※ The rated current is the DC current value that satisfies both of current value saturation current value and temperature rise current value.

■ Taping Dimensions(Unit:mm)



TYPE	Chip Thickness	W	A	B	D	P	K Max	T Max	MPQ
YNR6020	2.00	16.0	6.30	6.30	7.50	8.00	2.50	0.40	2000

■ Reel Dimensions(Unit:mm)



TYPE	W	W1	A	B	C	D
YNR6020	330±2.0	16.5±1.50	13.0±0.50	21.0±0.80	2.0±0.50	100 Min

Direction of rolling



Cover tape peel off condition



Cover tape peel force shall be 0.1N to 1.3N.

Reference peel speed 300 ± 10 mm/min.

X-ON Electronics

Largest Supplier of Electrical and Electronic Components

Click to view similar products for [Fixed Inductors](#) category:

Click to view products by [YJYCOIN](#) manufacturer:

Other Similar products are found below :

[CR32NP-151KC](#) [CR32NP-180KC](#) [CR32NP-181KC](#) [CR32NP-1R5MC](#) [CR32NP-390KC](#) [CR32NP-3R9MC](#) [CR32NP-680KC](#) [CR32NP-820KC](#) [CR32NP-8R2MC](#) [CR43NP-390KC](#) [CR43NP-560KC](#) [CR43NP-680KC](#) [CR54NP-181KC](#) [CR54NP-470LC](#) [CR54NP-820KC](#) [CR54NP-8R5MC](#) [70F224AI](#) [MGDQ4-00004-P](#) [MHL1ECTTP18NJ](#) [MHQ1005P10NJ](#) [MHQ1005P1N0S](#) [MHQ1005P2N4S](#) [MHQ1005P3N6S](#) [MHQ1005P5N1S](#) [MHQ1005P8N2J](#) [PE-51506NL](#) [PE-53601NL](#) [PE-53602NL](#) [PE-53630NL](#) [PE-53824SNLT](#) [PE-92100NL](#) [PG0434.801NLT](#) [PG0936.113NLT](#) [9220-20](#) [9310-16](#) [PM06-2N7](#) [PM06-39NJ](#) [A01TK](#) [1206CS-471XJ](#) [HC2LP-R47-R](#) [HC2-R47-R](#) [HC3-2R2-R](#) [HCF1305-3R3-R](#) [1206CS-151XG](#) [RCH664NP-140L](#) [RCH664NP-4R7M](#) [RCH8011NP-221L](#) [RCP1317NP-332L](#) [RCP1317NP-391L](#) [RCR1010NP-470M](#)