

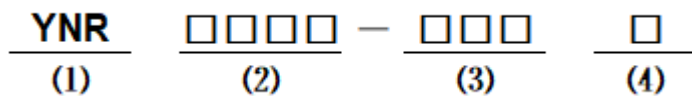
■ Features

- Low profile construction and miniature size.
- Magnetic shielded construction.
- High current saturation.
- Operating temperature: -40°C ~ +125°C.
- RoHS compliant

■ Applications

- For small DC/DC converter(HDD,DVC,DSC,PDA,LCD display etc.).
- Car navigation systems,telecom base stations.
- VR,AR,LED lighting.

■ Product Identification



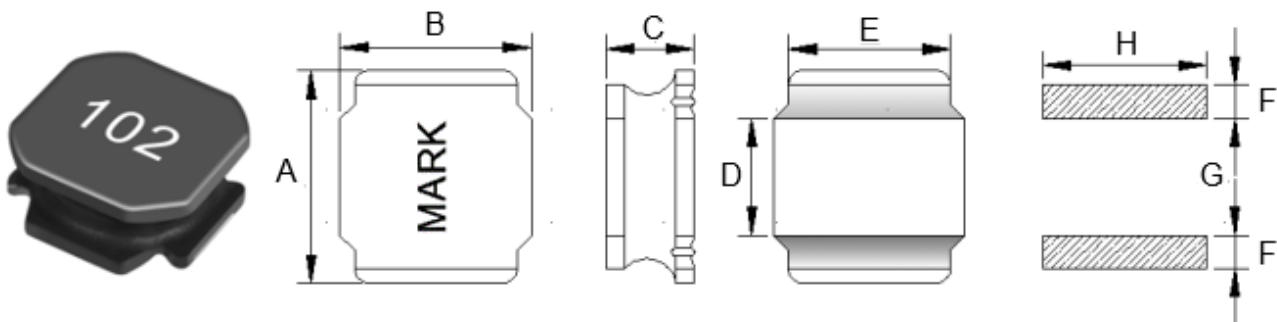
(1) : Type

(2) : Dimensions

(3) : Inductance value

(4) : Inductance Tolerance; N=±30%,M=±20%, K=±10%

■ Shapes and Dimensions (Unit: mm)



TYPE	A	B	C Max.	D	E Ref.	F Ref.	G Ref.	H Ref.
YNR6028	6.0±0.3	6.0±0.3	2.8	2.7±0.2	4.9	2.0	2.4	5.7

■ YNR6028 Series

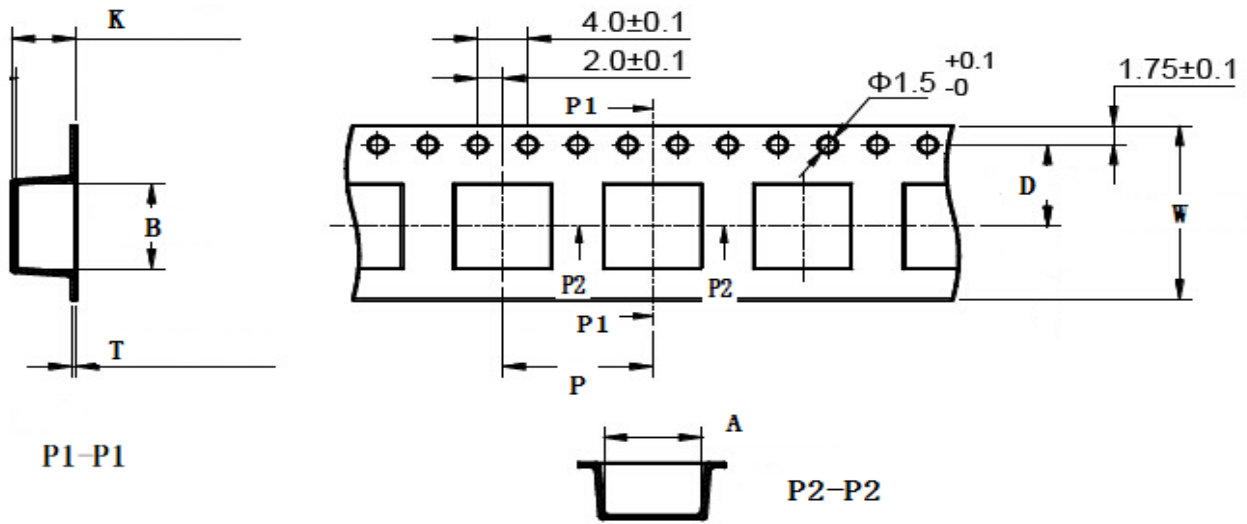
Part Number	Inductance (μ H) @100KHz	DC Resistance (Ω)		Heat Rating Current (A)	Saturation Current (A)
		Typ.	Max.		
YNR6028-R82N	0.82 \pm 30%	0.012	0.016	5.20	6.50
YNR6028-1R0N	1.0 \pm 30%	0.010	0.013	5.20	5.75
YNR6028-1R2N	1.2 \pm 30%	0.013	0.017	4.58	6.40
YNR6028-1R5N	1.5 \pm 30%	0.013	0.017	4.58	6.00
YNR6028-2R2N	2.2 \pm 30%	0.020	0.026	3.75	5.10
YNR6028-2R7N	2.7 \pm 30%	0.020	0.026	3.75	3.80
YNR6028-3R3N	3.3 \pm 30%	0.025	0.033	3.48	4.15
YNR6028-4R7N	4.7 \pm 30%	0.030	0.039	3.08	3.00
YNR6028-5R6N	5.6 \pm 30%	0.043	0.056	2.60	3.00
YNR6028-6R2N	6.2 \pm 30%	0.047	0.061	2.40	3.05
YNR6028-6R8M	6.8 \pm 20%	0.047	0.061	2.40	2.60
YNR6028-8R2M	8.2 \pm 20%	0.055	0.072	2.25	2.30
YNR6028-9R1M	9.1 \pm 20%	0.074	0.096	2.15	2.55
YNR6028-100M	10 \pm 20%	0.072	0.094	1.95	2.04
YNR6028-120M	12 \pm 20%	0.080	0.104	1.85	1.80
YNR6028-150M	15 \pm 20%	0.125	0.163	1.45	1.75
YNR6028-180M	18 \pm 20%	0.120	0.156	1.45	1.52
YNR6028-220M	22 \pm 20%	0.140	0.182	1.40	1.45
YNR6028-270M	27 \pm 20%	0.155	0.202	1.32	1.50
YNR6028-330M	33 \pm 20%	0.185	0.241	1.22	1.35
YNR6028-360M	36 \pm 20%	0.215	0.280	1.13	1.25
YNR6028-390M	39 \pm 20%	0.225	0.293	1.10	1.25
YNR6028-470M	47 \pm 20%	0.315	0.410	1.06	1.15
YNR6028-510M	51 \pm 20%	0.340	0.442	1.00	0.80
YNR6028-560M	56 \pm 20%	0.345	0.449	0.89	1.05

■ YNR6028 Series

Part Number	Inductance (uH) @100KHz	DC Resistance (Ω)		Heat Rating Current (A)	Saturation Current (A)
		Typ.	Max.		
YNR6028-680M	68 \pm 20%	0.360	0.468	0.86	0.80
YNR6028-750M	75 \pm 20%	0.410	0.533	0.81	0.90
YNR6028-820M	82 \pm 20%	0.500	0.650	0.70	0.80
YNR6028-101M	100 \pm 20%	0.500	0.650	0.70	0.65
YNR6028-151M	150 \pm 20%	0.600	0.780	0.70	0.50
YNR6028-221M	220 \pm 20%	1.330	1.729	0.50	0.40
YNR6028-331M	330 \pm 20%	2.800	3.640	0.35	0.30
YNR6028-401M	400 \pm 20%	2.160	2.808	0.40	0.30
YNR6028-681M	680 \pm 20%	5.100	6.630	0.24	0.23
YNR6028-102M	1000 \pm 20%	5.800	7.540	0.23	0.18

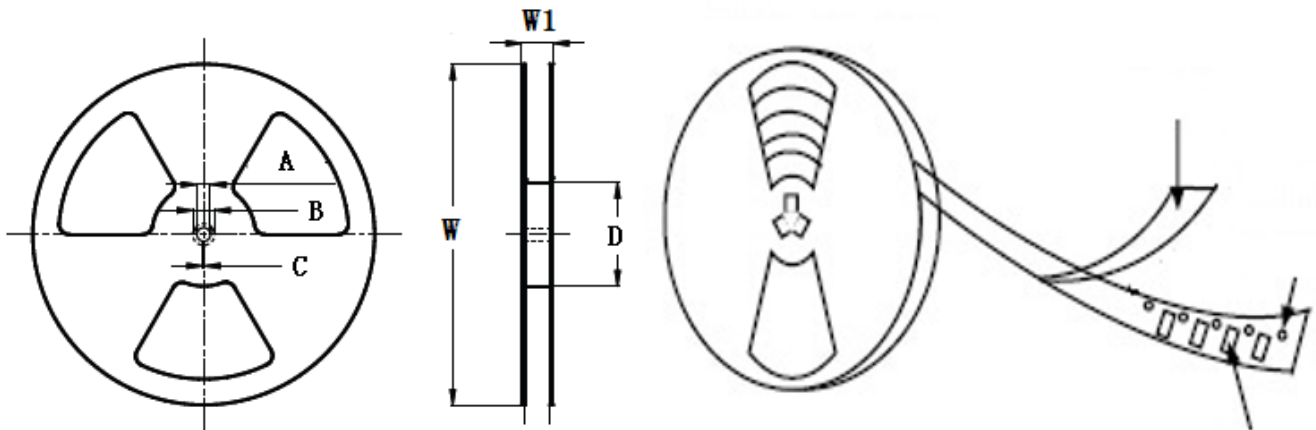
- ※ The saturation current value is the DC current value having inductance decrease down to 30%. (at 20°C)
- ※ The temperature rise current value is the DC current value having temperature increase up to 40°C. (at 20°C)
- ※ The rated current is the DC current value that satisfies both of current value saturation current value and temperature rise current value.

■ Taping Dimensions(Unit:mm)



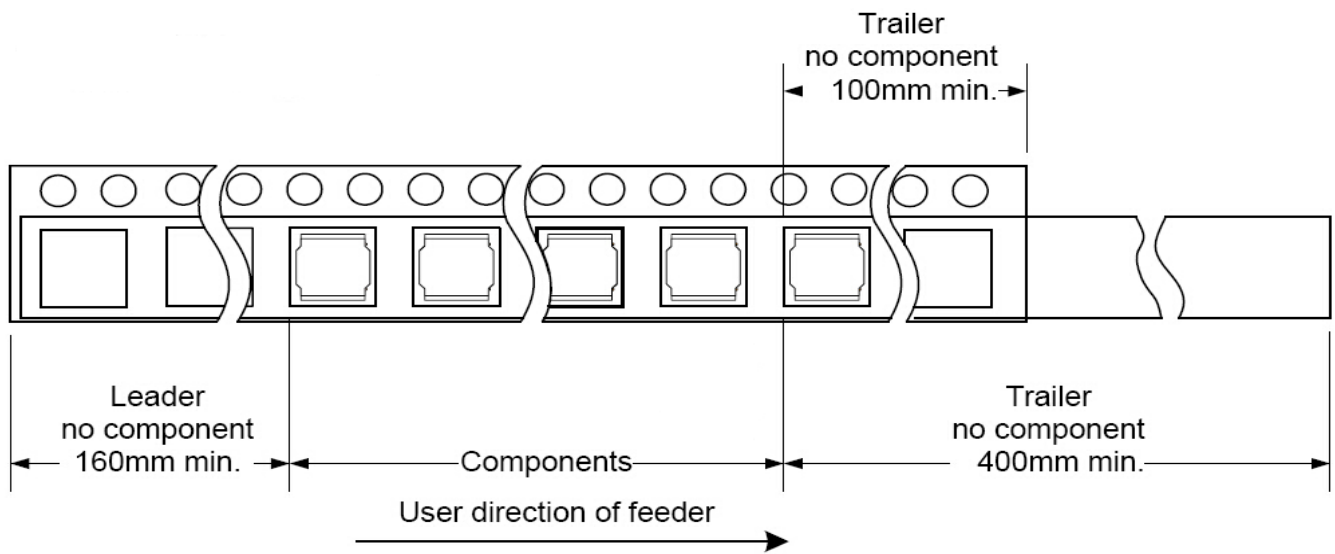
TYPE	Chip Thickness	W	A	B	D	P	K Max	T Max	MPQ
YNR6028	2.80	16.0	6.40	6.40	7.50	8.00	3.30	0.40	2000

■ Reel Dimensions(Unit:mm)

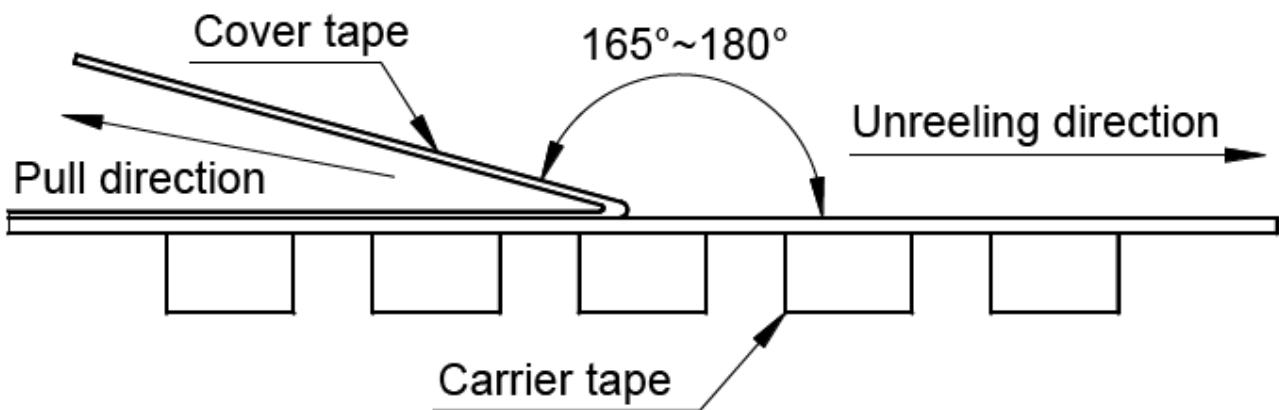


TYPE	W	W1	A	B	C	D
YNR6028	330±2.0	16.5±1.50	13.0±0.50	21.0±0.80	2.0±0.50	100 Min

Direction of rolling



Cover tape peel off condition



Cover tape peel force shall be 0.1N to 1.3N.

Reference peel speed 300 ± 10 mm/min.

X-ON Electronics

Largest Supplier of Electrical and Electronic Components

Click to view similar products for [Fixed Inductors](#) category:

Click to view products by [YJYCOIN](#) manufacturer:

Other Similar products are found below :

[CR32NP-100KC](#) [CR54NP-470LC](#) [70F224AI](#) [MGDQ4-00004-P](#) [MHQ1005P10NJ](#) [MHQ1005P1N0S](#) [MHQ1005P2N4S](#) [MHQ1005P3N6S](#)
[MHQ1005P5N1S](#) [MHQ1005P8N2J](#) [PE-53601NL](#) [PE-53602NL](#) [PG0936.113NLT](#) [9220-20](#) [9310-16](#) [PM06-2N7](#) [PM06-39NJ](#) [A01TK](#)
[1206CS-471XJ](#) [HC2-R47-R](#) [HC8-1R2-R](#) [HCF1305-3R3-R](#) [1206CS-151XG](#) [RCH664NP-140L](#) [RCH664NP-4R7M](#) [RCP1317NP-391L](#)
[RCR110DNP-331L](#) [DH2280-4R7M](#) [DS1608C-106](#) [B10TJ](#) [B82498B3101J000](#) [ELJ-RE27NJF2](#) [1812CS-153XJ](#) [1812CS-183XJ](#) [1812CS-](#)
[223XJ](#) [1812LS-104XJ](#) [1812LS-105XJ](#) [1812LS-124XJ](#) [1812LS-154XJ](#) [1812LS-223XJ](#) [1812LS-224XJ](#) [1812LS-563XJ](#) [1812LS-683XJ](#)
[1812LS-824XJ](#) [NIN-FB101JTR110F](#) [NIN-FB471JTR62F](#) [NIN-FC1R5JTR220F](#) [NIN-HCR15JTRF](#) [NIN-HCR33JTRF](#) [NIN-HDR22JTRF](#)