

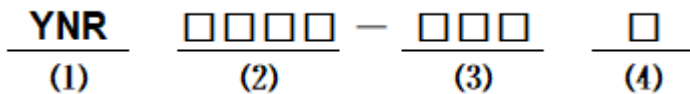
■ Features

- Low profile construction and miniature size.
- Magnetic shielded construction.
- High current saturation.
- Operating temperature:-40°C ~ +125°C.
- RoHS compliant

■ Applications

- For small DC/DC converter(HDD,DVC,DSC,PDA,LCD display etc.).
- Car navigation systems,telecom base stations.
- VR,AR,LED lighting.

■ Product Identification



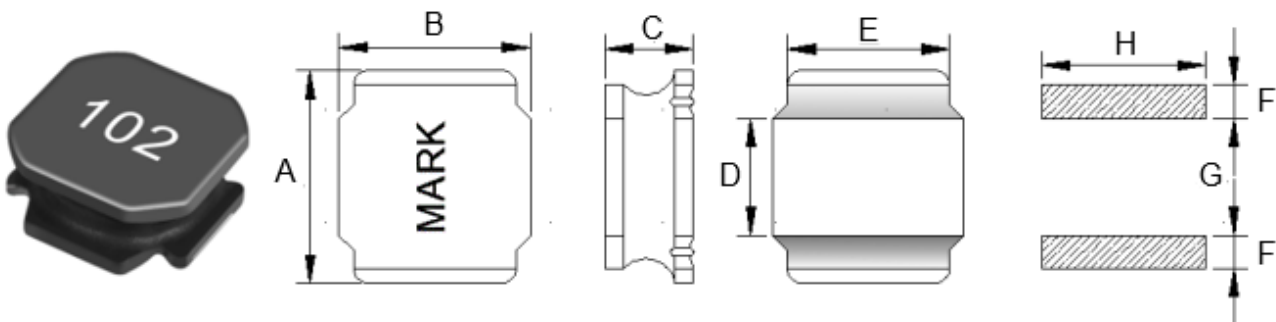
(1) : Type

(2) : Dimensions

(3) : Inductance value

(4) : Inductance Tolerance; N=±30%,M=±20%, K=±10%

■ Shapes and Dimensions (Unit: mm)



| TYPE | A | B | C Max. | D | E Ref. | F Ref. | G Ref. | H Ref. |
|---------|---------|---------|--------|---------|--------|--------|--------|--------|
| YNR6028 | 6.0±0.3 | 6.0±0.3 | 2.8 | 2.7±0.2 | 4.9 | 2.0 | 2.4 | 5.7 |

■ YNR6028 Series

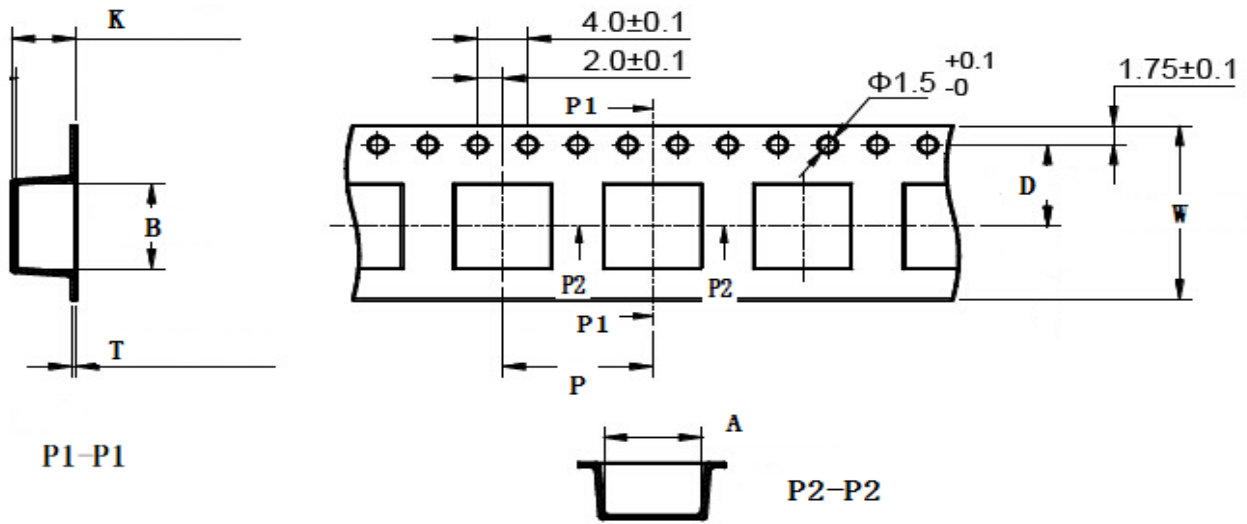
| Part Number | Inductance (μ H) @100KHz | DC Resistance (Ω) | | Heat Rating Current (A) | Saturation Current (A) |
|--------------|----------------------------------|----------------------------|-------|----------------------------|---------------------------|
| | | Typ. | Max. | | |
| YNR6028-R82N | 0.82 \pm 30% | 0.012 | 0.016 | 5.20 | 6.50 |
| YNR6028-1R0N | 1.0 \pm 30% | 0.010 | 0.013 | 5.20 | 5.75 |
| YNR6028-1R2N | 1.2 \pm 30% | 0.013 | 0.017 | 4.58 | 6.40 |
| YNR6028-1R5N | 1.5 \pm 30% | 0.013 | 0.017 | 4.58 | 6.00 |
| YNR6028-2R2N | 2.2 \pm 30% | 0.020 | 0.026 | 3.75 | 5.10 |
| YNR6028-2R7N | 2.7 \pm 30% | 0.020 | 0.026 | 3.75 | 3.80 |
| YNR6028-3R3N | 3.3 \pm 30% | 0.025 | 0.033 | 3.48 | 4.15 |
| YNR6028-4R7N | 4.7 \pm 30% | 0.030 | 0.039 | 3.08 | 3.00 |
| YNR6028-5R6N | 5.6 \pm 30% | 0.043 | 0.056 | 2.60 | 3.00 |
| YNR6028-6R2N | 6.2 \pm 30% | 0.047 | 0.061 | 2.40 | 3.05 |
| YNR6028-6R8M | 6.8 \pm 20% | 0.047 | 0.061 | 2.40 | 2.60 |
| YNR6028-8R2M | 8.2 \pm 20% | 0.055 | 0.072 | 2.25 | 2.30 |
| YNR6028-9R1M | 9.1 \pm 20% | 0.074 | 0.096 | 2.15 | 2.55 |
| YNR6028-100M | 10 \pm 20% | 0.072 | 0.094 | 1.95 | 2.04 |
| YNR6028-120M | 12 \pm 20% | 0.080 | 0.104 | 1.85 | 1.80 |
| YNR6028-150M | 15 \pm 20% | 0.125 | 0.163 | 1.45 | 1.75 |
| YNR6028-180M | 18 \pm 20% | 0.120 | 0.156 | 1.45 | 1.52 |
| YNR6028-220M | 22 \pm 20% | 0.140 | 0.182 | 1.40 | 1.45 |
| YNR6028-270M | 27 \pm 20% | 0.155 | 0.202 | 1.32 | 1.50 |
| YNR6028-330M | 33 \pm 20% | 0.185 | 0.241 | 1.22 | 1.35 |
| YNR6028-360M | 36 \pm 20% | 0.215 | 0.280 | 1.13 | 1.25 |
| YNR6028-390M | 39 \pm 20% | 0.225 | 0.293 | 1.10 | 1.25 |
| YNR6028-470M | 47 \pm 20% | 0.315 | 0.410 | 1.06 | 1.15 |
| YNR6028-510M | 51 \pm 20% | 0.340 | 0.442 | 1.00 | 0.80 |
| YNR6028-560M | 56 \pm 20% | 0.345 | 0.449 | 0.89 | 1.05 |

■ YNR6028 Series

| Part Number | Inductance (uH) @100KHz | DC Resistance (Ω) | | Heat Rating Current (A) | Saturation Current (A) |
|--------------|----------------------------|----------------------------|-------|----------------------------|---------------------------|
| | | Typ. | Max. | | |
| YNR6028-680M | 68 \pm 20% | 0.360 | 0.468 | 0.86 | 0.80 |
| YNR6028-750M | 75 \pm 20% | 0.410 | 0.533 | 0.81 | 0.90 |
| YNR6028-820M | 82 \pm 20% | 0.500 | 0.650 | 0.70 | 0.80 |
| YNR6028-101M | 100 \pm 20% | 0.500 | 0.650 | 0.70 | 0.65 |
| YNR6028-151M | 150 \pm 20% | 0.600 | 0.780 | 0.70 | 0.50 |
| YNR6028-221M | 220 \pm 20% | 1.330 | 1.729 | 0.50 | 0.40 |
| YNR6028-331M | 330 \pm 20% | 2.800 | 3.640 | 0.35 | 0.30 |
| YNR6028-401M | 400 \pm 20% | 2.160 | 2.808 | 0.40 | 0.30 |
| YNR6028-681M | 680 \pm 20% | 5.100 | 6.630 | 0.24 | 0.23 |
| YNR6028-102M | 1000 \pm 20% | 5.800 | 7.540 | 0.23 | 0.18 |

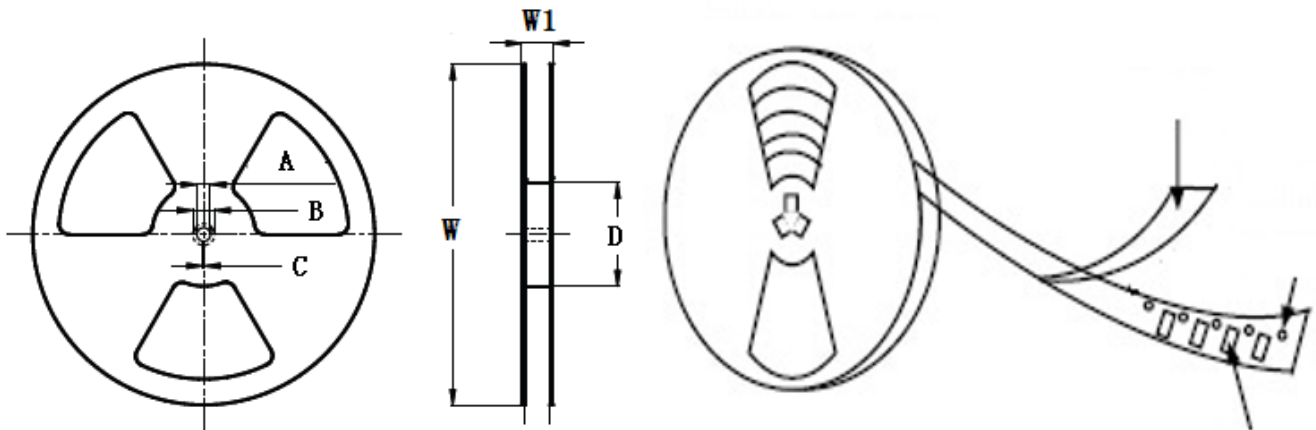
- ※ The saturation current value is the DC current value having inductance decrease down to 30%. (at 20°C)
- ※ The temperature rise current value is the DC current value having temperature increase up to 40°C. (at 20°C)
- ※ The rated current is the DC current value that satisfies both of current value saturation current value and temperature rise current value.

■ Taping Dimensions(Unit:mm)



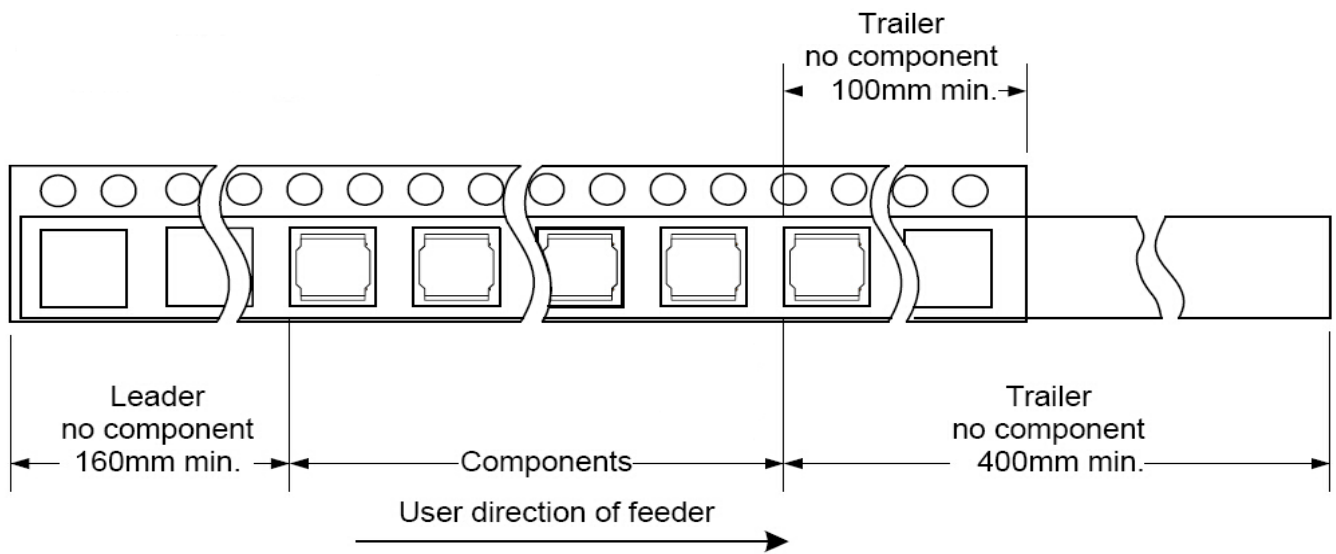
| TYPE | Chip Thickness | W | A | B | D | P | K Max | T Max | MPQ |
|---------|----------------|------|------|------|------|------|-------|-------|------|
| YNR6028 | 2.80 | 16.0 | 6.40 | 6.40 | 7.50 | 8.00 | 3.30 | 0.40 | 2000 |

■ Reel Dimensions(Unit:mm)

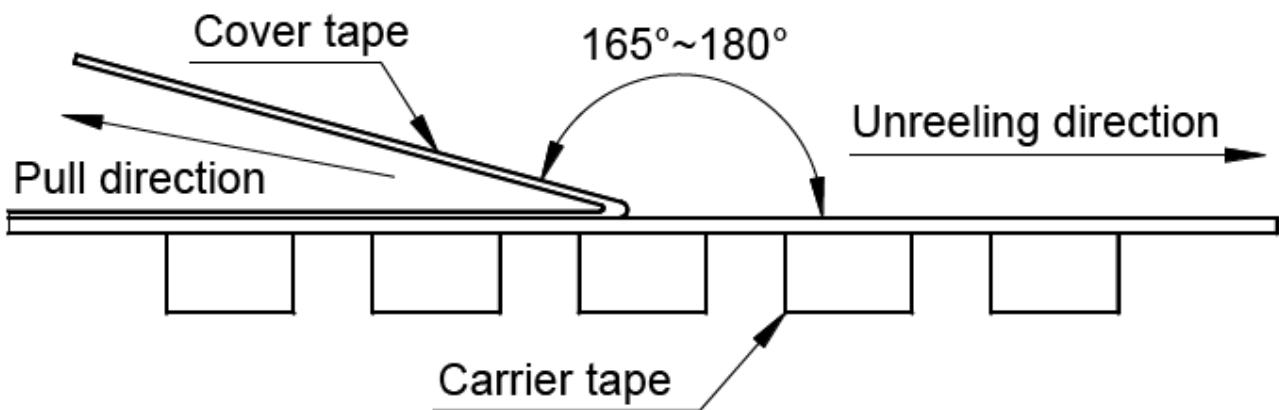


| TYPE | W | W1 | A | B | C | D |
|---------|---------|-----------|-----------|-----------|----------|---------|
| YNR6028 | 330±2.0 | 16.5±1.50 | 13.0±0.50 | 21.0±0.80 | 2.0±0.50 | 100 Min |

Direction of rolling



Cover tape peel off condition



Cover tape peel force shall be 0.1N to 1.3N.

Reference peel speed 300 ± 10 mm/min.

X-ON Electronics

Largest Supplier of Electrical and Electronic Components

Click to view similar products for [Fixed Inductors](#) category:

Click to view products by [YJYCOIN](#) manufacturer:

Other Similar products are found below :

[CR32NP-100KC](#) [CR54NP-470LC](#) [70F224AI](#) [MGDQ4-00004-P](#) [MHQ1005P10NJ](#) [MHQ1005P1N0S](#) [MHQ1005P2N4S](#) [MHQ1005P3N6S](#)
[MHQ1005P5N1S](#) [MHQ1005P8N2J](#) [PE-53601NL](#) [PE-53602NL](#) [PG0936.113NLT](#) [9220-20](#) [9310-16](#) [PM06-2N7](#) [PM06-39NJ](#) [A01TK](#)
[1206CS-471XJ](#) [HC2-R47-R](#) [HC8-1R2-R](#) [HCF1305-3R3-R](#) [1206CS-151XG](#) [RCH664NP-140L](#) [RCH664NP-4R7M](#) [RCP1317NP-391L](#)
[RCR110DNP-331L](#) [DH2280-4R7M](#) [DS1608C-106](#) [B10TJ](#) [B82498B3101J000](#) [ELJ-RE27NJF2](#) [1812CS-153XJ](#) [1812CS-183XJ](#) [1812CS-](#)
[223XJ](#) [1812LS-104XJ](#) [1812LS-105XJ](#) [1812LS-124XJ](#) [1812LS-154XJ](#) [1812LS-223XJ](#) [1812LS-224XJ](#) [1812LS-563XJ](#) [1812LS-683XJ](#)
[1812LS-824XJ](#) [NIN-FB101JTR110F](#) [NIN-FB471JTR62F](#) [NIN-FC1R5JTR220F](#) [NIN-HCR15JTRF](#) [NIN-HCR33JTRF](#) [NIN-HDR22JTRF](#)