

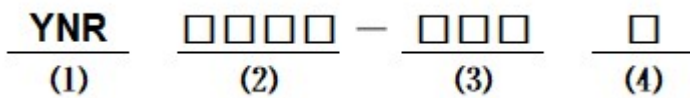
■ Features

- Low profile construction and miniature size.
- Magnetic shielded construction.
- High current saturation.
- Operating temperature:-40°C ~ +125°C.
- RoHS compliant

■ Applications

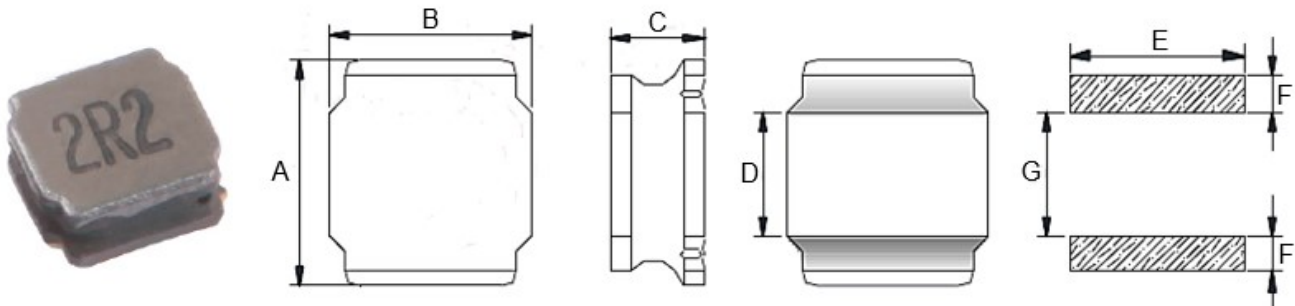
- For small DC/DC converter(HDD,DVC,DSC,PDA,LCD display etc.).
- Car navigation systems,telecom base stations.
- VR,AR,LED lighting.

■ Product Identification



- (1) : Type
- (2) : Dimensions
- (3) : Inductance value
- (4) : Inductance Tolerance; N=±30%,M=±20%, K=±10%

■ Shapes and Dimensions (Unit: mm)



| TYPE | A | B | C Max. | D | E Ref. | F Ref. | G Ref. |
|---------|---------|---------|--------|----------|--------|--------|--------|
| YNR6045 | 6.0±0.3 | 6.0±0.3 | 4.50 | 1.55±0.3 | 5.70 | 1.70 | 2.80 |

■ YNR6045 Series

| Part Number | Inductance (uH) @100KHz | DC Resistance (Ω) | | Heat Rating Current (A) | Saturation Current (A) |
|--------------|----------------------------|----------------------------|-------|----------------------------|---------------------------|
| | | Typ. | Max. | | |
| YNR6045-R47□ | 0.47 | 0.006 | 0.008 | 6.50 | 15.000 |
| YNR6045-R56□ | 0.56 | 0.006 | 0.008 | 6.50 | 14.000 |
| YNR6045-R68□ | 0.68 | 0.006 | 0.008 | 5.70 | 11.000 |
| YNR6045-R82□ | 0.82 | 0.008 | 0.010 | 5.90 | 10.350 |
| YNR6045-1R0□ | 1.00 | 0.011 | 0.014 | 5.14 | 9.850 |
| YNR6045-1R5□ | 1.50 | 0.012 | 0.016 | 4.95 | 8.800 |
| YNR6045-1R8□ | 1.80 | 0.012 | 0.016 | 4.95 | 7.600 |
| YNR6045-2R2□ | 2.20 | 0.014 | 0.018 | 4.60 | 6.750 |
| YNR6045-2R7□ | 2.70 | 0.015 | 0.020 | 4.30 | 5.750 |
| YNR6045-3R0□ | 3.00 | 0.020 | 0.026 | 3.80 | 5.600 |
| YNR6045-3R3□ | 3.30 | 0.021 | 0.027 | 3.70 | 5.900 |
| YNR6045-3R6□ | 3.60 | 0.021 | 0.027 | 3.70 | 5.250 |
| YNR6045-4R7□ | 4.70 | 0.026 | 0.034 | 3.30 | 4.970 |
| YNR6045-5R6□ | 5.60 | 0.029 | 0.038 | 3.15 | 4.150 |
| YNR6045-6R2□ | 6.20 | 0.031 | 0.040 | 3.00 | 4.430 |
| YNR6045-6R8□ | 6.80 | 0.031 | 0.040 | 3.00 | 3.900 |
| YNR6045-7R5□ | 7.50 | 0.034 | 0.044 | 2.90 | 3.500 |
| YNR6045-8R2□ | 8.20 | 0.043 | 0.056 | 2.60 | 3.900 |
| YNR6045-9R1□ | 9.10 | 0.043 | 0.056 | 2.60 | 3.350 |
| YNR6045-100□ | 10.0 | 0.048 | 0.062 | 2.45 | 3.200 |
| YNR6045-120□ | 12.0 | 0.058 | 0.075 | 2.20 | 2.800 |
| YNR6045-150□ | 15.0 | 0.068 | 0.088 | 2.05 | 2.500 |
| YNR6045-180□ | 18.0 | 0.081 | 0.105 | 1.85 | 2.200 |

■ YNR6045 Series

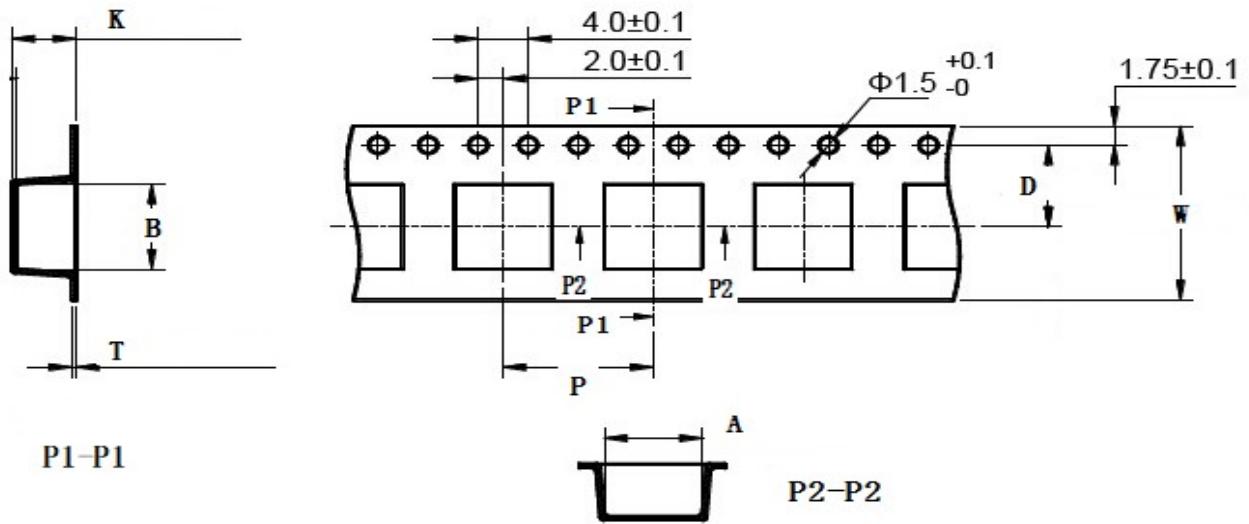
| Part Number | Inductance (uH) @100KHz | DC Resistance (Ω) | | Heat Rating Current (A) | Saturation Current (A) |
|--------------|----------------------------|----------------------------|-------|----------------------------|---------------------------|
| | | Typ. | Max. | | |
| YNR6045-220□ | 22.0 | 0.089 | 0.116 | 1.80 | 2.050 |
| YNR6045-270□ | 27.0 | 0.102 | 0.133 | 1.65 | 1.900 |
| YNR6045-300□ | 30.0 | 0.132 | 0.172 | 1.50 | 1.700 |
| YNR6045-330□ | 33.0 | 0.137 | 0.178 | 1.45 | 1.650 |
| YNR6045-360□ | 36.0 | 0.173 | 0.225 | 1.40 | 1.620 |
| YNR6045-390□ | 39.0 | 0.180 | 0.234 | 1.25 | 1.500 |
| YNR6045-430□ | 43.0 | 0.200 | 0.260 | 1.20 | 1.630 |
| YNR6045-470□ | 47.0 | 0.200 | 0.260 | 1.20 | 1.400 |
| YNR6045-510□ | 51.0 | 0.207 | 0.269 | 1.15 | 1.350 |
| YNR6045-560□ | 56.0 | 0.221 | 0.287 | 1.10 | 1.300 |
| YNR6045-620□ | 62.0 | 0.235 | 0.306 | 1.10 | 1.250 |
| YNR6045-680□ | 68.0 | 0.289 | 0.376 | 1.00 | 1.200 |
| YNR6045-750□ | 75.0 | 0.305 | 0.397 | 0.95 | 1.150 |
| YNR6045-820□ | 82.0 | 0.341 | 0.443 | 0.90 | 1.050 |
| YNR6045-910□ | 91.0 | 0.359 | 0.467 | 0.85 | 1.000 |
| YNR6045-101□ | 100 | 0.433 | 0.563 | 0.80 | 0.950 |
| YNR6045-121□ | 120 | 0.484 | 0.629 | 0.77 | 0.850 |
| YNR6045-151□ | 150 | 0.580 | 0.754 | 0.70 | 0.800 |
| YNR6045-221□ | 220 | 0.834 | 1.084 | 0.59 | 0.700 |
| YNR6045-271□ | 270 | 1.096 | 1.425 | 0.55 | 0.650 |
| YNR6045-331□ | 330 | 1.270 | 1.651 | 0.57 | 0.570 |
| YNR6045-391□ | 390 | 1.800 | 2.340 | 0.40 | 0.500 |
| YNR6045-471□ | 470 | 1.800 | 2.340 | 0.42 | 0.500 |

■ YNR6045 Series

| Part Number | Inductance (uH) @100KHz | DC Resistance (Ω) | | Heat Rating Current (A) | Saturation Current (A) |
|--------------|----------------------------|----------------------------|--------|----------------------------|---------------------------|
| | | Typ. | Max. | | |
| YNR6045-561□ | 560 | 2.480 | 3.224 | 0.33 | 0.460 |
| YNR6045-681□ | 680 | 2.500 | 3.250 | 0.33 | 0.420 |
| YNR6045-751□ | 750 | 3.700 | 4.810 | 0.30 | 0.400 |
| YNR6045-821□ | 820 | 3.700 | 4.810 | 0.30 | 0.360 |
| YNR6045-102□ | 1000 | 4.500 | 5.850 | 0.30 | 0.300 |
| YNR6045-152□ | 1500 | 6.750 | 8.100 | 0.21 | 0.240 |
| YNR6045-202□ | 2000 | 9.700 | 11.640 | 0.175 | 0.210 |
| YNR6045-222□ | 2200 | 10.000 | 12.000 | 0.169 | 0.205 |
| YNR6045-252□ | 2500 | 10.570 | 12.680 | 0.167 | 0.200 |
| YNR6045-332□ | 3300 | 13.000 | 15.300 | 0.150 | 0.170 |
| YNR6045-472□ | 4700 | 18.750 | 22.500 | 0.120 | 0.150 |
| YNR6045-502□ | 5000 | 20.000 | 24.000 | 0.115 | 0.135 |
| YNR6045-602□ | 6000 | 30.000 | 36.000 | 0.097 | 0.125 |
| YNR6045-682□ | 6800 | 31.200 | 37.400 | 0.095 | 0.120 |
| YNR6045-702□ | 7000 | 33.000 | 39.600 | 0.090 | 0.120 |
| YNR6045-802□ | 8000 | 35.500 | 42.600 | 0.085 | 0.115 |
| YNR6045-103□ | 10000 | 40.000 | 48.000 | 0.08 | 0.100 |
| YNR6045-123□ | 12000 | 62.000 | 74.400 | 0.065 | 0.095 |
| YNR6045-143□ | 14000 | 63.500 | 76.200 | 0.063 | 0.090 |
| YNR6045-153□ | 15000 | 70.000 | 84.000 | 0.060 | 0.080 |

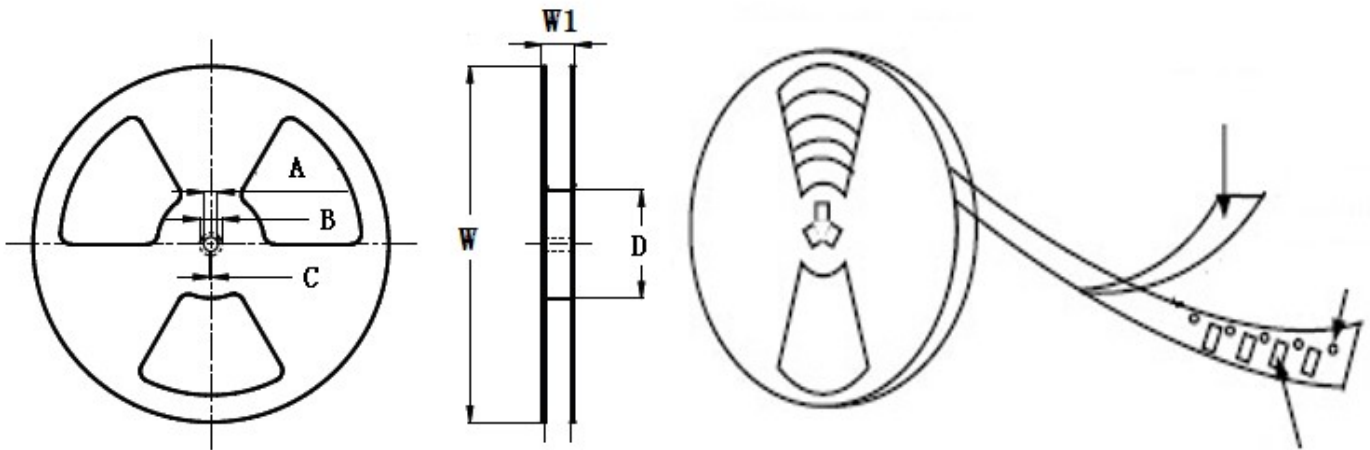
- ※ The saturation current value is the DC current value having inductance decrease down to 30%. (at 20°C)
- ※ The temperature rise current value is the DC current value having temperature increase up to 40°C. (at 20°C)
- ※ The rated current is the DC current value that satisfies both of current value saturation current value and temperature rise current value.

■ Taping Dimensions(Unit:mm)



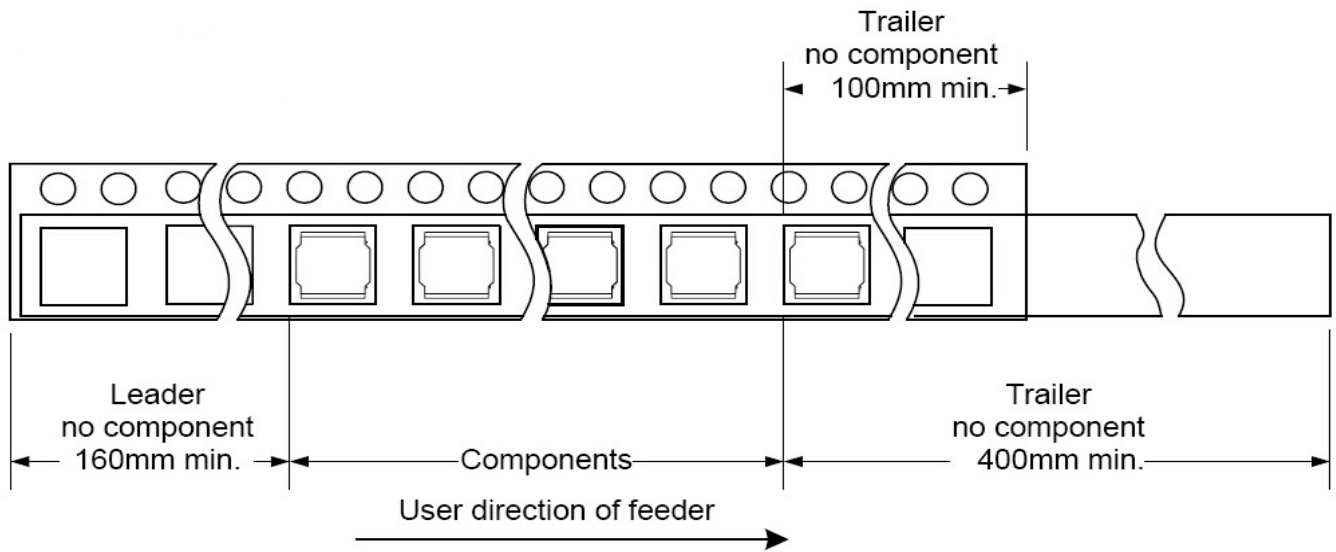
| TYPE | Chip Thickness | W | A | B | D | P | K Max | T Max | MPQ |
|---------|----------------|------|------|------|------|------|-------|-------|------|
| YNR6045 | 4.50 | 16.0 | 6.40 | 6.40 | 7.50 | 8.00 | 4.70 | 0.40 | 1500 |

■ Reel Dimensions(Unit:mm)

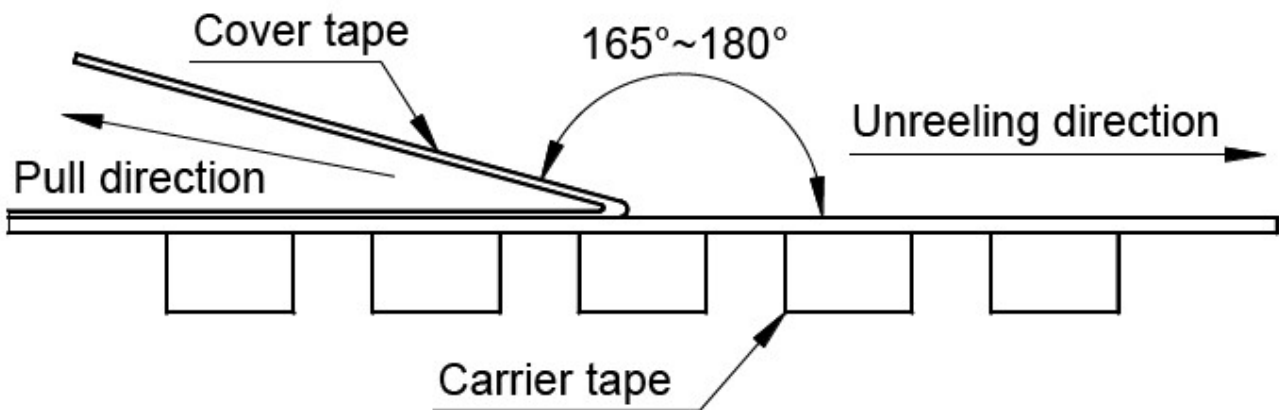


| TYPE | W | W1 | A | B | C | D |
|---------|---------|-----------|-----------|-----------|----------|---------|
| YNR6045 | 330±2.0 | 16.5±1.50 | 13.0±0.50 | 21.0±0.80 | 2.0±0.50 | 100 Min |

Direction of rolling



Cover tape peel off condition



Cover tape peel force shall be 0.1N to 1.3N.

Reference peel speed 300±10mm/min.

X-ON Electronics

Largest Supplier of Electrical and Electronic Components

Click to view similar products for [Fixed Inductors](#) category:

Click to view products by [YJYCOIN](#) manufacturer:

Other Similar products are found below :

[CR32NP-151KC](#) [CR32NP-180KC](#) [CR32NP-181KC](#) [CR32NP-1R5MC](#) [CR32NP-390KC](#) [CR32NP-3R9MC](#) [CR32NP-680KC](#) [CR32NP-820KC](#) [CR32NP-8R2MC](#) [CR43NP-390KC](#) [CR43NP-560KC](#) [CR43NP-680KC](#) [CR54NP-181KC](#) [CR54NP-470LC](#) [CR54NP-820KC](#) [CR54NP-8R5MC](#) [70F224AI](#) [MGDQ4-00004-P](#) [MHL1ECTTP18NJ](#) [MHQ1005P10NJ](#) [MHQ1005P1N0S](#) [MHQ1005P2N4S](#) [MHQ1005P3N6S](#) [MHQ1005P5N1S](#) [MHQ1005P8N2J](#) [PE-51506NL](#) [PE-53601NL](#) [PE-53602NL](#) [PE-53630NL](#) [PE-53824SNLT](#) [PE-92100NL](#) [PG0434.801NLT](#) [PG0936.113NLT](#) [9220-20](#) [9310-16](#) [PM06-2N7](#) [PM06-39NJ](#) [A01TK](#) [1206CS-471XJ](#) [HC2LP-R47-R](#) [HC2-R47-R](#) [HC3-2R2-R](#) [HCF1305-3R3-R](#) [1206CS-151XG](#) [RCH664NP-140L](#) [RCH664NP-4R7M](#) [RCH8011NP-221L](#) [RCP1317NP-332L](#) [RCP1317NP-391L](#) [RCR1010NP-470M](#)