

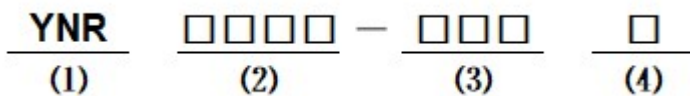
**■ Features**

- Low profile construction and miniature size.
- Magnetic shielded construction.
- High current saturation.
- Operating temperature:-40°C ~ +125°C.
- RoHS compliant

**■ Applications**

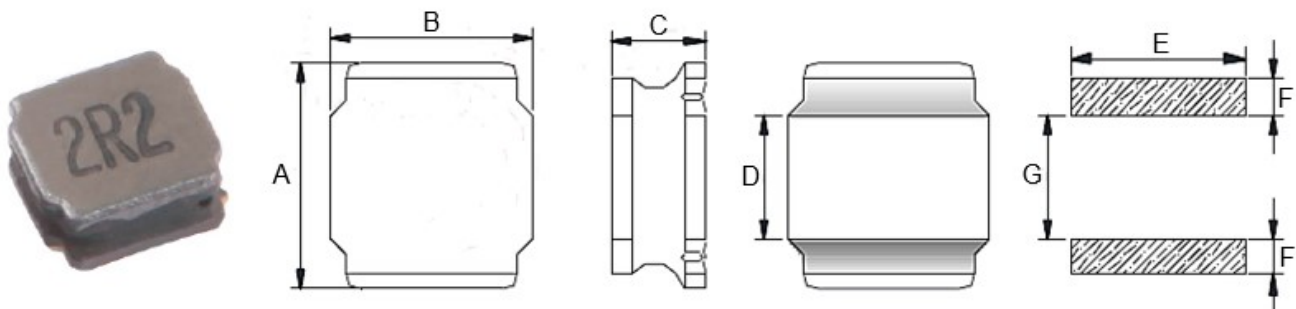
- For small DC/DC converter(HDD,DVC,DSC,PDA,LCD display etc.).
- Car navigation systems,telecom base stations.
- VR,AR,LED lighting.

**■ Product Identification**



- (1) : Type
- (2) : Dimensions
- (3) : Inductance value
- (4) : Inductance Tolerance; N=±30%,M=±20%, K=±10%

**■ Shapes and Dimensions (Unit: mm)**



| TYPE    | A       | B       | C Max. | D        | E Ref. | F Ref. | G Ref. |
|---------|---------|---------|--------|----------|--------|--------|--------|
| YNR6045 | 6.0±0.3 | 6.0±0.3 | 4.50   | 1.55±0.3 | 5.70   | 1.70   | 2.80   |

## ■ YNR6045 Series

| Part Number  | Inductance<br>(uH) @100KHz | DC Resistance ( $\Omega$ ) |       | Heat Rating<br>Current (A) | Saturation<br>Current (A) |
|--------------|----------------------------|----------------------------|-------|----------------------------|---------------------------|
|              |                            | Typ.                       | Max.  |                            |                           |
| YNR6045-R47□ | 0.47                       | 0.006                      | 0.008 | 6.50                       | 15.000                    |
| YNR6045-R56□ | 0.56                       | 0.006                      | 0.008 | 6.50                       | 14.000                    |
| YNR6045-R68□ | 0.68                       | 0.006                      | 0.008 | 5.70                       | 11.000                    |
| YNR6045-R82□ | 0.82                       | 0.008                      | 0.010 | 5.90                       | 10.350                    |
| YNR6045-1R0□ | 1.00                       | 0.011                      | 0.014 | 5.14                       | 9.850                     |
| YNR6045-1R5□ | 1.50                       | 0.012                      | 0.016 | 4.95                       | 8.800                     |
| YNR6045-1R8□ | 1.80                       | 0.012                      | 0.016 | 4.95                       | 7.600                     |
| YNR6045-2R2□ | 2.20                       | 0.014                      | 0.018 | 4.60                       | 6.750                     |
| YNR6045-2R7□ | 2.70                       | 0.015                      | 0.020 | 4.30                       | 5.750                     |
| YNR6045-3R0□ | 3.00                       | 0.020                      | 0.026 | 3.80                       | 5.600                     |
| YNR6045-3R3□ | 3.30                       | 0.021                      | 0.027 | 3.70                       | 5.900                     |
| YNR6045-3R6□ | 3.60                       | 0.021                      | 0.027 | 3.70                       | 5.250                     |
| YNR6045-4R7□ | 4.70                       | 0.026                      | 0.034 | 3.30                       | 4.970                     |
| YNR6045-5R6□ | 5.60                       | 0.029                      | 0.038 | 3.15                       | 4.150                     |
| YNR6045-6R2□ | 6.20                       | 0.031                      | 0.040 | 3.00                       | 4.430                     |
| YNR6045-6R8□ | 6.80                       | 0.031                      | 0.040 | 3.00                       | 3.900                     |
| YNR6045-7R5□ | 7.50                       | 0.034                      | 0.044 | 2.90                       | 3.500                     |
| YNR6045-8R2□ | 8.20                       | 0.043                      | 0.056 | 2.60                       | 3.900                     |
| YNR6045-9R1□ | 9.10                       | 0.043                      | 0.056 | 2.60                       | 3.350                     |
| YNR6045-100□ | 10.0                       | 0.048                      | 0.062 | 2.45                       | 3.200                     |
| YNR6045-120□ | 12.0                       | 0.058                      | 0.075 | 2.20                       | 2.800                     |
| YNR6045-150□ | 15.0                       | 0.068                      | 0.088 | 2.05                       | 2.500                     |
| YNR6045-180□ | 18.0                       | 0.081                      | 0.105 | 1.85                       | 2.200                     |

### ■ YNR6045 Series

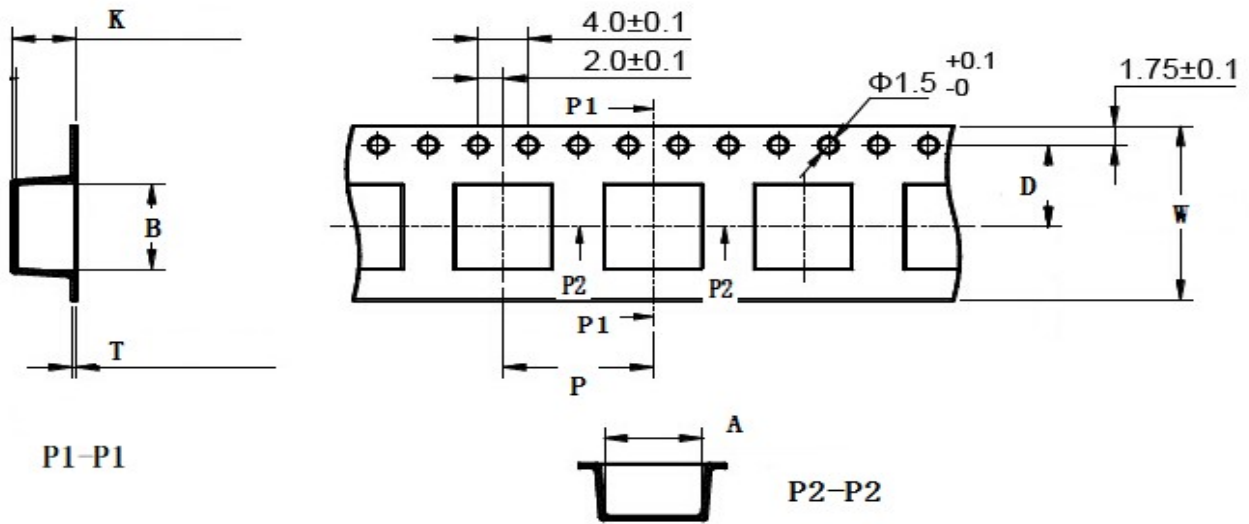
| Part Number  | Inductance<br>(uH) @100KHz | DC Resistance ( $\Omega$ ) |       | Heat Rating<br>Current (A) | Saturation<br>Current (A) |
|--------------|----------------------------|----------------------------|-------|----------------------------|---------------------------|
|              |                            | Typ.                       | Max.  |                            |                           |
| YNR6045-220□ | 22.0                       | 0.089                      | 0.116 | 1.80                       | 2.050                     |
| YNR6045-270□ | 27.0                       | 0.102                      | 0.133 | 1.65                       | 1.900                     |
| YNR6045-300□ | 30.0                       | 0.132                      | 0.172 | 1.50                       | 1.700                     |
| YNR6045-330□ | 33.0                       | 0.137                      | 0.178 | 1.45                       | 1.650                     |
| YNR6045-360□ | 36.0                       | 0.173                      | 0.225 | 1.40                       | 1.620                     |
| YNR6045-390□ | 39.0                       | 0.180                      | 0.234 | 1.25                       | 1.500                     |
| YNR6045-430□ | 43.0                       | 0.200                      | 0.260 | 1.20                       | 1.630                     |
| YNR6045-470□ | 47.0                       | 0.200                      | 0.260 | 1.20                       | 1.400                     |
| YNR6045-510□ | 51.0                       | 0.207                      | 0.269 | 1.15                       | 1.350                     |
| YNR6045-560□ | 56.0                       | 0.221                      | 0.287 | 1.10                       | 1.300                     |
| YNR6045-620□ | 62.0                       | 0.235                      | 0.306 | 1.10                       | 1.250                     |
| YNR6045-680□ | 68.0                       | 0.289                      | 0.376 | 1.00                       | 1.200                     |
| YNR6045-750□ | 75.0                       | 0.305                      | 0.397 | 0.95                       | 1.150                     |
| YNR6045-820□ | 82.0                       | 0.341                      | 0.443 | 0.90                       | 1.050                     |
| YNR6045-910□ | 91.0                       | 0.359                      | 0.467 | 0.85                       | 1.000                     |
| YNR6045-101□ | 100                        | 0.433                      | 0.563 | 0.80                       | 0.950                     |
| YNR6045-121□ | 120                        | 0.484                      | 0.629 | 0.77                       | 0.850                     |
| YNR6045-151□ | 150                        | 0.580                      | 0.754 | 0.70                       | 0.800                     |
| YNR6045-221□ | 220                        | 0.834                      | 1.084 | 0.59                       | 0.700                     |
| YNR6045-271□ | 270                        | 1.096                      | 1.425 | 0.55                       | 0.650                     |
| YNR6045-331□ | 330                        | 1.270                      | 1.651 | 0.57                       | 0.570                     |
| YNR6045-391□ | 390                        | 1.800                      | 2.340 | 0.40                       | 0.500                     |
| YNR6045-471□ | 470                        | 1.800                      | 2.340 | 0.42                       | 0.500                     |

## ■ YNR6045 Series

| Part Number  | Inductance<br>(uH) @100KHz | DC Resistance ( $\Omega$ ) |        | Heat Rating<br>Current (A) | Saturation<br>Current (A) |
|--------------|----------------------------|----------------------------|--------|----------------------------|---------------------------|
|              |                            | Typ.                       | Max.   |                            |                           |
| YNR6045-561□ | 560                        | 2.480                      | 3.224  | 0.33                       | 0.460                     |
| YNR6045-681□ | 680                        | 2.500                      | 3.250  | 0.33                       | 0.420                     |
| YNR6045-751□ | 750                        | 3.700                      | 4.810  | 0.30                       | 0.400                     |
| YNR6045-821□ | 820                        | 3.700                      | 4.810  | 0.30                       | 0.360                     |
| YNR6045-102□ | 1000                       | 4.500                      | 5.850  | 0.30                       | 0.300                     |
| YNR6045-152□ | 1500                       | 6.750                      | 8.100  | 0.21                       | 0.240                     |
| YNR6045-202□ | 2000                       | 9.700                      | 11.640 | 0.175                      | 0.210                     |
| YNR6045-222□ | 2200                       | 10.000                     | 12.000 | 0.169                      | 0.205                     |
| YNR6045-252□ | 2500                       | 10.570                     | 12.680 | 0.167                      | 0.200                     |
| YNR6045-332□ | 3300                       | 13.000                     | 15.300 | 0.150                      | 0.170                     |
| YNR6045-472□ | 4700                       | 18.750                     | 22.500 | 0.120                      | 0.150                     |
| YNR6045-502□ | 5000                       | 20.000                     | 24.000 | 0.115                      | 0.135                     |
| YNR6045-602□ | 6000                       | 30.000                     | 36.000 | 0.097                      | 0.125                     |
| YNR6045-682□ | 6800                       | 31.200                     | 37.400 | 0.095                      | 0.120                     |
| YNR6045-702□ | 7000                       | 33.000                     | 39.600 | 0.090                      | 0.120                     |
| YNR6045-802□ | 8000                       | 35.500                     | 42.600 | 0.085                      | 0.115                     |
| YNR6045-103□ | 10000                      | 40.000                     | 48.000 | 0.08                       | 0.100                     |
| YNR6045-123□ | 12000                      | 62.000                     | 74.400 | 0.065                      | 0.095                     |
| YNR6045-143□ | 14000                      | 63.500                     | 76.200 | 0.063                      | 0.090                     |
| YNR6045-153□ | 15000                      | 70.000                     | 84.000 | 0.060                      | 0.080                     |

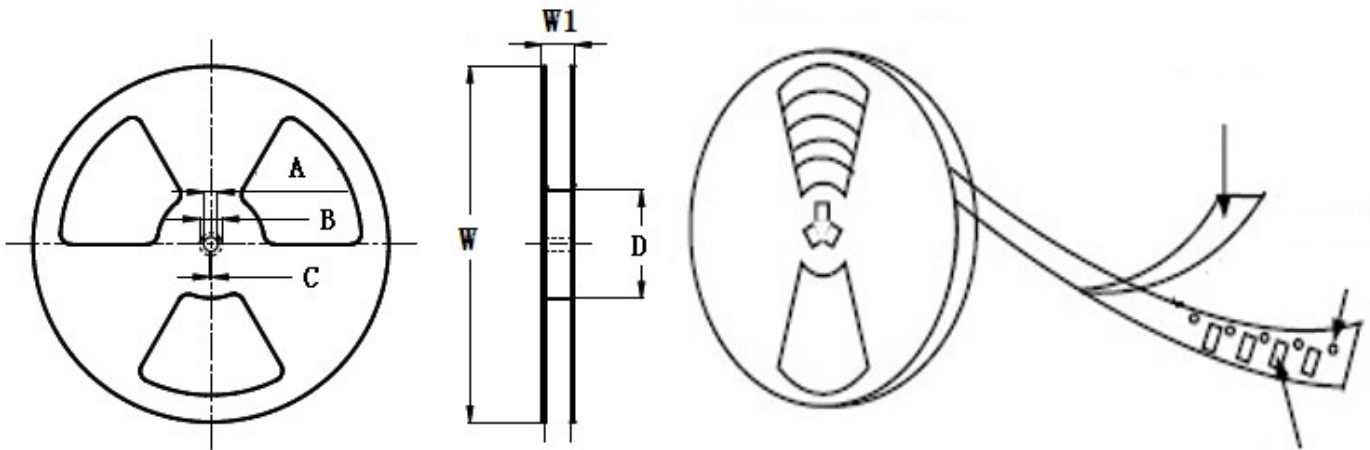
- ※ The saturation current value is the DC current value having inductance decrease down to 30%.(at 20°C)
- ※ The temperature rise current value is the DC current value having temperature increase up to 40°C. (at 20°C)
- ※ The rated current is the DC current value that satisfies both of current value saturation current value and temperature rise current value.

**■ Taping Dimensions(Unit:mm)**



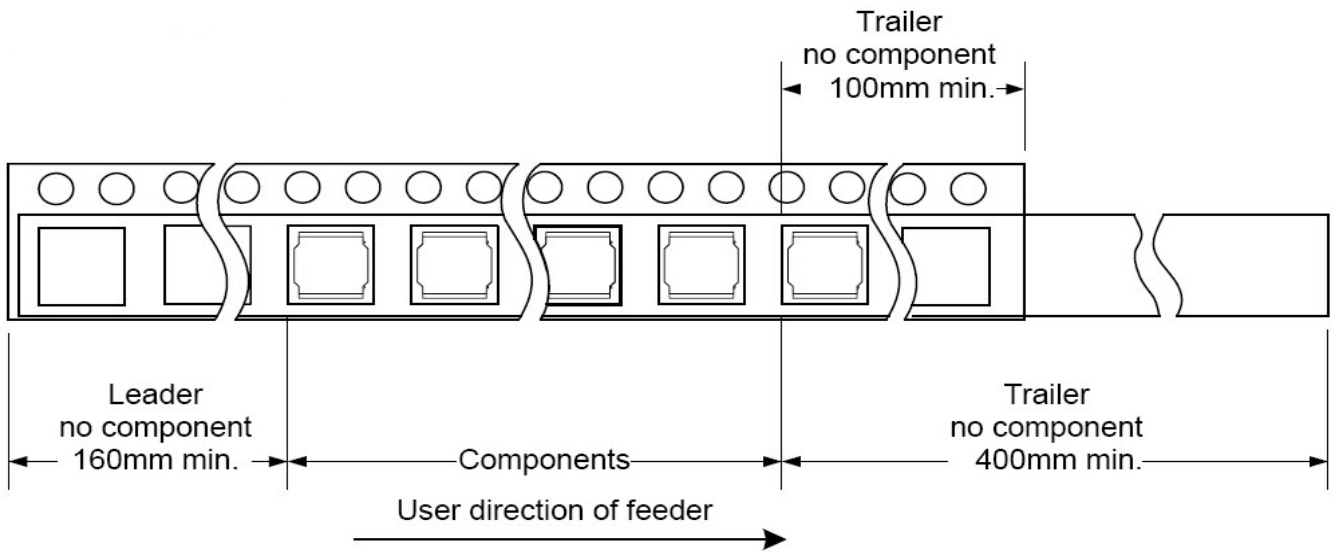
| TYPE    | Chip Thickness | W    | A    | B    | D    | P    | K Max | T Max | MPQ  |
|---------|----------------|------|------|------|------|------|-------|-------|------|
| YNR6045 | 4.50           | 16.0 | 6.40 | 6.40 | 7.50 | 8.00 | 4.70  | 0.40  | 1500 |

**■ Reel Dimensions(Unit:mm)**

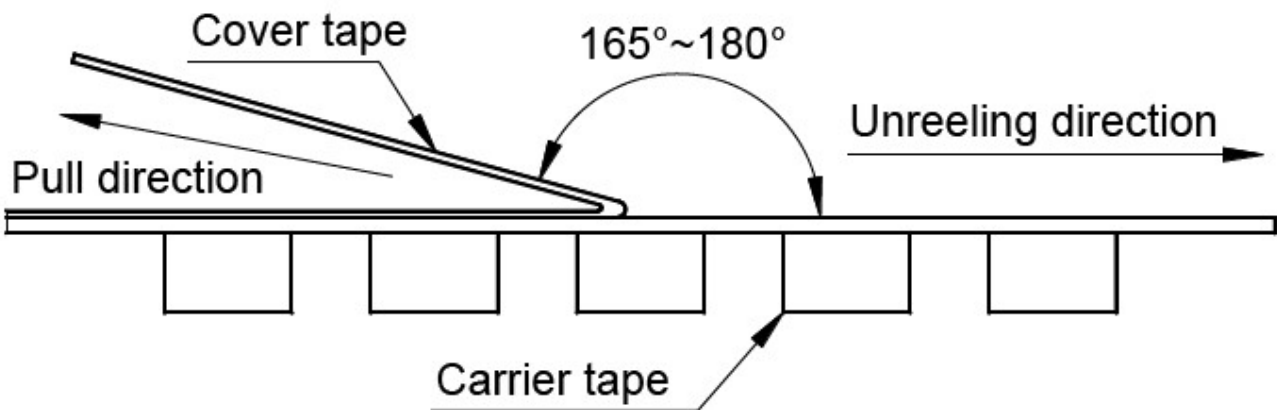


| TYPE    | W       | W1        | A         | B         | C        | D       |
|---------|---------|-----------|-----------|-----------|----------|---------|
| YNR6045 | 330±2.0 | 16.5±1.50 | 13.0±0.50 | 21.0±0.80 | 2.0±0.50 | 100 Min |

**Direction of rolling**



**Cover tape peel off condition**



Cover tape peel force shall be 0.1N to 1.3N.

Reference peel speed 300±10mm/min.

## X-ON Electronics

Largest Supplier of Electrical and Electronic Components

*Click to view similar products for [Fixed Inductors](#) category:*

*Click to view products by [YJYCOIN](#) manufacturer:*

Other Similar products are found below :

[CR32NP-151KC](#) [CR32NP-180KC](#) [CR32NP-181KC](#) [CR32NP-1R5MC](#) [CR32NP-390KC](#) [CR32NP-3R9MC](#) [CR32NP-680KC](#) [CR32NP-820KC](#) [CR32NP-8R2MC](#) [CR43NP-390KC](#) [CR43NP-560KC](#) [CR43NP-680KC](#) [CR54NP-181KC](#) [CR54NP-470LC](#) [CR54NP-820KC](#) [CR54NP-8R5MC](#) [70F224AI](#) [MGDQ4-00004-P](#) [MHL1ECTTP18NJ](#) [MHQ1005P10NJ](#) [MHQ1005P1N0S](#) [MHQ1005P2N4S](#) [MHQ1005P3N6S](#) [MHQ1005P5N1S](#) [MHQ1005P8N2J](#) [PE-51506NL](#) [PE-53601NL](#) [PE-53602NL](#) [PE-53630NL](#) [PE-53824SNLT](#) [PE-92100NL](#) [PG0434.801NLT](#) [PG0936.113NLT](#) [9220-20](#) [9310-16](#) [PM06-2N7](#) [PM06-39NJ](#) [A01TK](#) [1206CS-471XJ](#) [HC2LP-R47-R](#) [HC2-R47-R](#) [HC3-2R2-R](#) [HCF1305-3R3-R](#) [1206CS-151XG](#) [RCH664NP-140L](#) [RCH664NP-4R7M](#) [RCH8011NP-221L](#) [RCP1317NP-332L](#) [RCP1317NP-391L](#) [RCR1010NP-470M](#)