

■ Features

- Low profile construction and miniature size.
- Magnetic shielded construction.
- High current saturation.
- Operating temperature: -40°C ~ +125°C.
- RoHS compliant.

■ Applications

- For small DC/DC converter(HDD,DVC,DSC,PDA,LCD display etc.).
- Car navigation systems,telecom base stations.
- VR,AR,LED lighting.

■ Product Identification



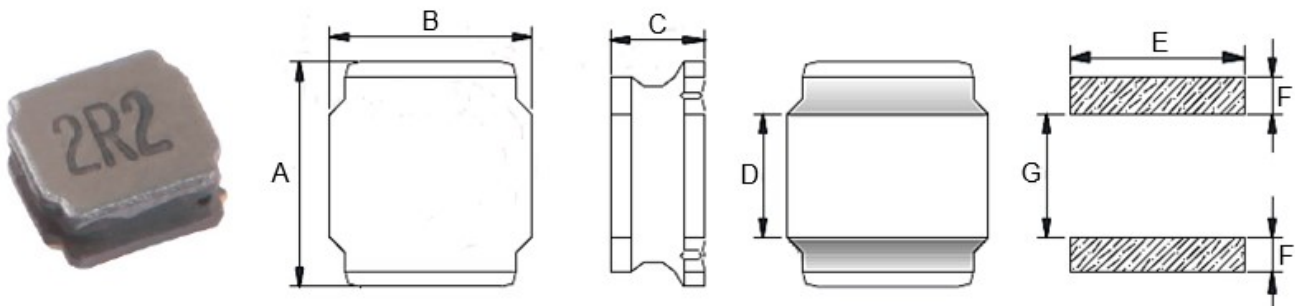
(1) : Type

(2) : Dimensions

(3) : Inductance value

(4) : Inductance Tolerance; N=±30%,M=±20%, K=±10%

■ Shapes and Dimensions (Unit: mm)



| TYPE | A | B | C Max. | D | E Ref. | F Ref. | G Ref. |
|---------|---------|---------|--------|----------|--------|--------|--------|
| YNR8040 | 8.0±0.3 | 8.0±0.3 | 4.20 | 2.00±0.3 | 7.50 | 2.20 | 3.80 |

■ YNR8040 Series

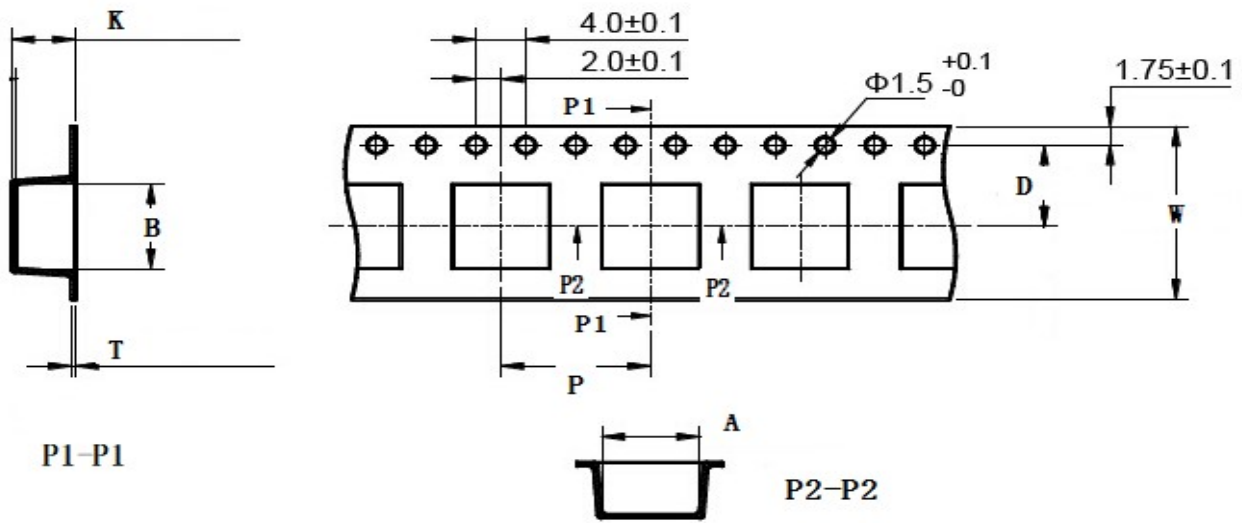
| Part Number | Inductance (uH) @100KHz | DC Resistance (Ω) | | Heat Rating Current (A) | Saturation Current (A) |
|--------------|----------------------------|----------------------------|-------|----------------------------|---------------------------|
| | | Typ. | Max. | | |
| YNR8040-R82□ | 0.82 | 0.008 | 0.010 | 6.30 | 13.80 |
| YNR8040-1R0□ | 1.00 | 0.008 | 0.010 | 6.30 | 9.85 |
| YNR8040-1R2□ | 1.20 | 0.010 | 0.013 | 5.65 | 10.00 |
| YNR8040-1R5□ | 1.50 | 0.010 | 0.013 | 5.65 | 8.15 |
| YNR8040-2R0□ | 2.00 | 0.012 | 0.016 | 5.15 | 9.25 |
| YNR8040-2R2□ | 2.20 | 0.012 | 0.016 | 5.15 | 7.10 |
| YNR8040-3R0□ | 3.00 | 0.014 | 0.018 | 4.70 | 6.10 |
| YNR8040-3R3□ | 3.30 | 0.017 | 0.022 | 4.40 | 6.50 |
| YNR8040-3R6□ | 3.60 | 0.017 | 0.022 | 4.35 | 7.52 |
| YNR8040-3R9□ | 3.90 | 0.017 | 0.022 | 4.35 | 5.75 |
| YNR8040-4R7□ | 4.70 | 0.019 | 0.025 | 4.10 | 5.90 |
| YNR8040-5R1□ | 5.10 | 0.019 | 0.025 | 4.05 | 4.70 |
| YNR8040-5R6□ | 5.60 | 0.021 | 0.027 | 3.85 | 6.00 |
| YNR8040-6R8□ | 6.80 | 0.024 | 0.031 | 3.60 | 4.55 |
| YNR8040-8R2□ | 8.20 | 0.026 | 0.034 | 3.45 | 4.20 |
| YNR8040-100□ | 10.0 | 0.029 | 0.038 | 3.30 | 3.60 |
| YNR8040-120□ | 12.0 | 0.041 | 0.053 | 2.80 | 3.50 |
| YNR8040-150□ | 15.0 | 0.047 | 0.061 | 2.60 | 2.95 |
| YNR8040-180□ | 18.0 | 0.053 | 0.069 | 2.40 | 2.70 |
| YNR8040-220□ | 22.0 | 0.069 | 0.090 | 2.10 | 2.40 |
| YNR8040-270□ | 27.0 | 0.078 | 0.101 | 2.00 | 2.15 |
| YNR8040-330□ | 33.0 | 0.097 | 0.126 | 1.80 | 2.05 |
| YNR8040-360□ | 36.0 | 0.102 | 0.133 | 1.75 | 2.00 |
| YNR8040-390□ | 39.0 | 0.107 | 0.138 | 1.70 | 1.95 |

■ YNR8040 Series

| Part Number | Inductance (uH) @100KHz | DC Resistance (Ω) | | Heat Rating Current (A) | Saturation Current (A) |
|--------------|----------------------------|----------------------------|-------|----------------------------|---------------------------|
| | | Typ. | Max. | | |
| YNR8040-430□ | 43.0 | 0.113 | 0.147 | 1.65 | 1.90 |
| YNR8040-470□ | 47.0 | 0.136 | 0.177 | 1.55 | 1.75 |
| YNR8040-510□ | 51.0 | 0.142 | 0.185 | 1.50 | 1.70 |
| YNR8040-620□ | 62.0 | 0.182 | 0.237 | 1.30 | 1.50 |
| YNR8040-680□ | 68.0 | 0.196 | 0.255 | 1.25 | 1.45 |
| YNR8040-750□ | 75.0 | 0.211 | 0.274 | 1.20 | 1.35 |
| YNR8040-820□ | 82.0 | 0.225 | 0.293 | 1.15 | 1.30 |
| YNR8040-910□ | 91.0 | 0.272 | 0.354 | 1.05 | 1.20 |
| YNR8040-101□ | 100 | 0.290 | 0.377 | 1.00 | 1.15 |
| YNR8040-121□ | 120 | 0.334 | 0.434 | 0.95 | 1.05 |
| YNR8040-151□ | 150 | 0.410 | 0.533 | 0.85 | 1.10 |
| YNR8040-181□ | 180 | 0.520 | 0.676 | 0.83 | 0.95 |
| YNR8040-221□ | 220 | 0.599 | 0.779 | 0.80 | 0.85 |
| YNR8040-271□ | 270 | 0.750 | 0.975 | 0.75 | 0.80 |
| YNR8040-331□ | 330 | 0.889 | 1.156 | 0.64 | 0.68 |
| YNR8040-391□ | 390 | 0.860 | 1.118 | 0.60 | 0.53 |
| YNR8040-471□ | 470 | 1.260 | 1.625 | 0.50 | 0.60 |
| YNR8040-561□ | 560 | 1.790 | 2.327 | 0.47 | 0.50 |
| YNR8040-681□ | 680 | 2.040 | 2.652 | 0.45 | 0.50 |
| YNR8040-821□ | 820 | 2.800 | 3.640 | 0.35 | 0.53 |
| YNR8040-102□ | 1000 | 2.800 | 3.640 | 0.35 | 0.40 |
| YNR8040-152□ | 1500 | 5.000 | 6.500 | 0.26 | 0.32 |

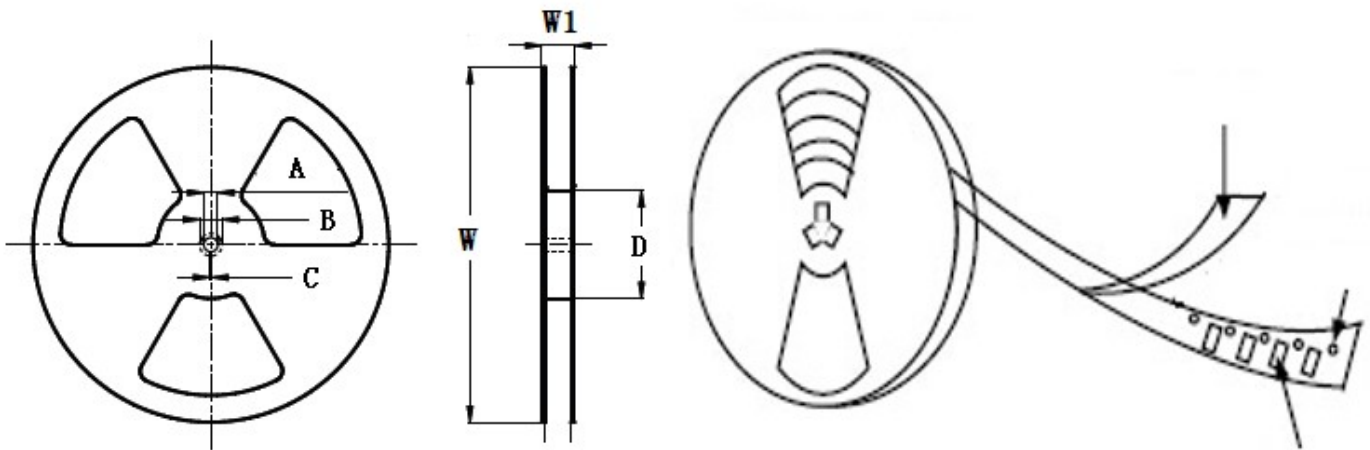
- ※ The saturation current value is the DC current value having inductance decrease down to 30%.(at 20°C)
- ※ The temperature rise current value is the DC current value having temperature increase up to 40°C. (at 20°C)
- ※ The rated current is the DC current value that satisfies both of current value saturation current value and temperature rise current value.

■ Taping Dimensions(Unit:mm)



| TYPE | Chip Thickness | W | A | B | D | P | K Max | T Max | MPQ |
|---------|----------------|------|------|------|------|------|-------|-------|------|
| YNR8040 | 4.00 | 16.0 | 8.35 | 8.35 | 7.50 | 12.0 | 4.50 | 0.40 | 1000 |

■ Reel Dimensions(Unit:mm)

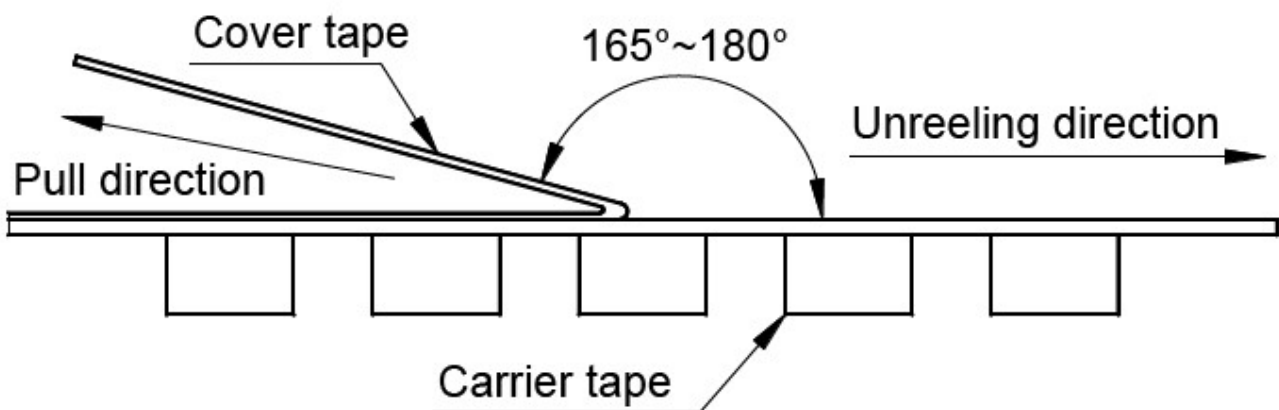


| TYPE | W | W1 | A | B | C | D |
|---------|---------|-----------|-----------|-----------|----------|---------|
| YNR8040 | 330±2.0 | 16.5±1.50 | 13.0±0.50 | 21.0±0.80 | 2.0±0.50 | 100 Min |

Direction of rolling



Cover tape peel off condition



Cover tape peel force shall be 0.1N to 1.3N.

Reference peel speed 300±10mm/min.

X-ON Electronics

Largest Supplier of Electrical and Electronic Components

Click to view similar products for [Fixed Inductors](#) category:

Click to view products by [YJYCOIN](#) manufacturer:

Other Similar products are found below :

[CR32NP-151KC](#) [CR32NP-180KC](#) [CR32NP-181KC](#) [CR32NP-1R5MC](#) [CR32NP-390KC](#) [CR32NP-3R9MC](#) [CR32NP-680KC](#) [CR32NP-820KC](#) [CR32NP-8R2MC](#) [CR43NP-390KC](#) [CR43NP-560KC](#) [CR43NP-680KC](#) [CR54NP-181KC](#) [CR54NP-470LC](#) [CR54NP-820KC](#) [CR54NP-8R5MC](#) [70F224AI](#) [MGDQ4-00004-P](#) [MHL1ECTTP18NJ](#) [MHQ1005P10NJ](#) [MHQ1005P1N0S](#) [MHQ1005P2N4S](#) [MHQ1005P3N6S](#) [MHQ1005P5N1S](#) [MHQ1005P8N2J](#) [PE-51506NL](#) [PE-53601NL](#) [PE-53602NL](#) [PE-53630NL](#) [PE-53824SNLT](#) [PE-92100NL](#) [PG0434.801NLT](#) [PG0936.113NLT](#) [9220-20](#) [9310-16](#) [PM06-2N7](#) [PM06-39NJ](#) [A01TK](#) [1206CS-471XJ](#) [HC2LP-R47-R](#) [HC2-R47-R](#) [HC3-2R2-R](#) [HCF1305-3R3-R](#) [1206CS-151XG](#) [RCH664NP-140L](#) [RCH664NP-4R7M](#) [RCH8011NP-221L](#) [RCP1317NP-332L](#) [RCP1317NP-391L](#) [RCR1010NP-470M](#)