

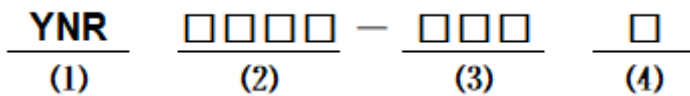
■ Features

- Low profile construction and miniature size.
- Magnetic shielded construction.
- High current saturation.
- Operating temperature:-40°C ~ +125°C.
- RoHS compliant.

■ Applications

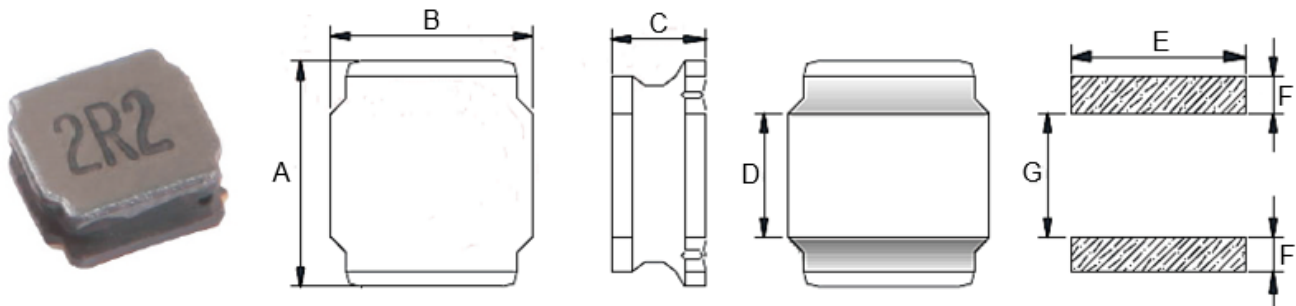
- For small DC/DC converter(HDD,DVC,DSC,PDA,LCD display etc.).
- Car navigation systems,telecom base stations.
- VR,AR,LED lighting.

■ Product Identification



- (1) : Type
- (2) : Dimensions
- (3) : Inductance value
- (4) : Inductance Tolerance; N=±30%,M=±20%, K=±10%

■ Shapes and Dimensions (Unit: mm)



TYPE	A	B	C Max.	D	E Ref.	F Ref.	G Ref.
YNR8065	8.0±0.3	8.0±0.3	6.50	2.00±0.3	7.50	2.20	3.80

■ YNR8065 Series

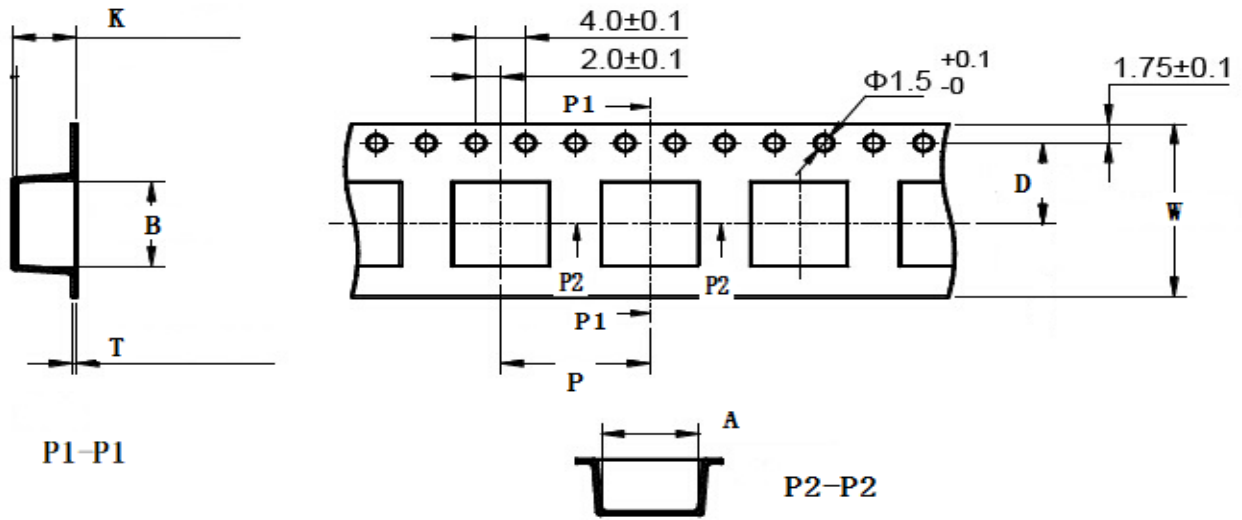
Part Number	Inductance (uH) @100KHz	DC Resistance (Ω)		Heat Rating Current (A)	Saturation Current (A)
		Typ.	Max.		
YNR8065-1R0□	1.00	0.008	0.011	7.00	20.00
YNR8065-2R2□	2.20	0.013	0.016	4.50	12.00
YNR8065-3R3□	3.30	0.015	0.018	5.10	9.50
YNR8065-4R7□	4.70	0.018	0.022	4.70	8.50
YNR8065-5R6□	5.60	0.022	0.026	4.50	8.00
YNR8065-6R8□	6.80	0.022	0.026	4.50	7.50
YNR8065-8R2□	8.20	0.026	0.031	4.20	7.00
YNR8065-100□	10.0	0.037	0.044	3.20	8.00
YNR8065-150□	15.0	0.044	0.053	3.30	5.70
YNR8065-220□	22.0	0.060	0.072	2.70	4.30
YNR8065-330□	33.0	0.100	0.110	2.00	3.40
YNR8065-470□	47.0	0.127	0.152	1.85	3.40
YNR8065-560□	56.0	0.165	0.198	1.35	3.20
YNR8065-680□	68.0	0.182	0.218	1.55	2.70
YNR8065-101□	100	0.233	0.280	1.35	2.00
YNR8065-151□	150	0.353	0.440	0.95	1.60
YNR8065-221□	220	0.547	0.656	0.80	1.20
YNR8065-331□	330	0.700	0.840	0.75	1.00
YNR8065-471□	470	1.300	1.560	0.55	1.00
YNR8065-681□	680	1.620	1.944	0.52	0.85
YNR8065-102□	1000	2.350	2.820	0.40	0.65
YNR8065-152□	1500	3.650	4.380	0.32	0.54
YNR8065-222□	2200	5.000	6.000	0.27	0.45
YNR8065-332□	3300	7.300	8.760	0.23	0.36

■ YNR8065 Series

Part Number	Inductance (uH) @100KHz	DC Resistance (Ω)		Heat Rating Current (A)	Saturation Current (A)
		Typ.	Max.		
YNR8065-472□	4700	12.150	14.580	0.18	0.29
YNR8065-682□	6800	18.700	22.440	0.14	0.26
YNR8065-103□	10000	22.800	27.360	0.13	0.20

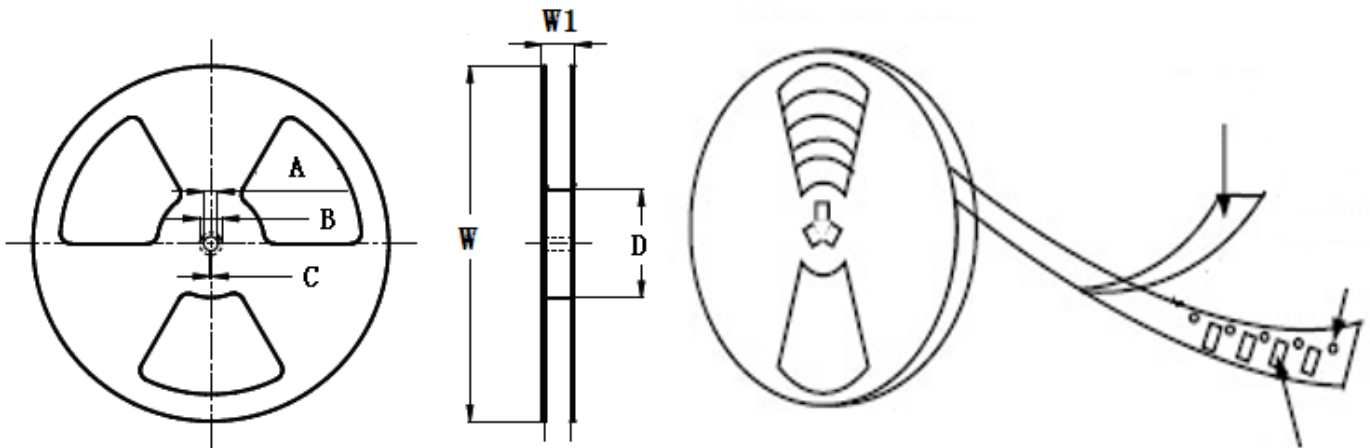
- ※ The saturation current value is the DC current value having inductance decrease down to 30%. (at 20°C)
- ※ The temperature rise current value is the DC current value having temperature increase up to 40°C. (at 20°C)
- ※ The rated current is the DC current value that satisfies both of current value saturation current value and temperature rise current value.

■ Taping Dimensions(Unit:mm)



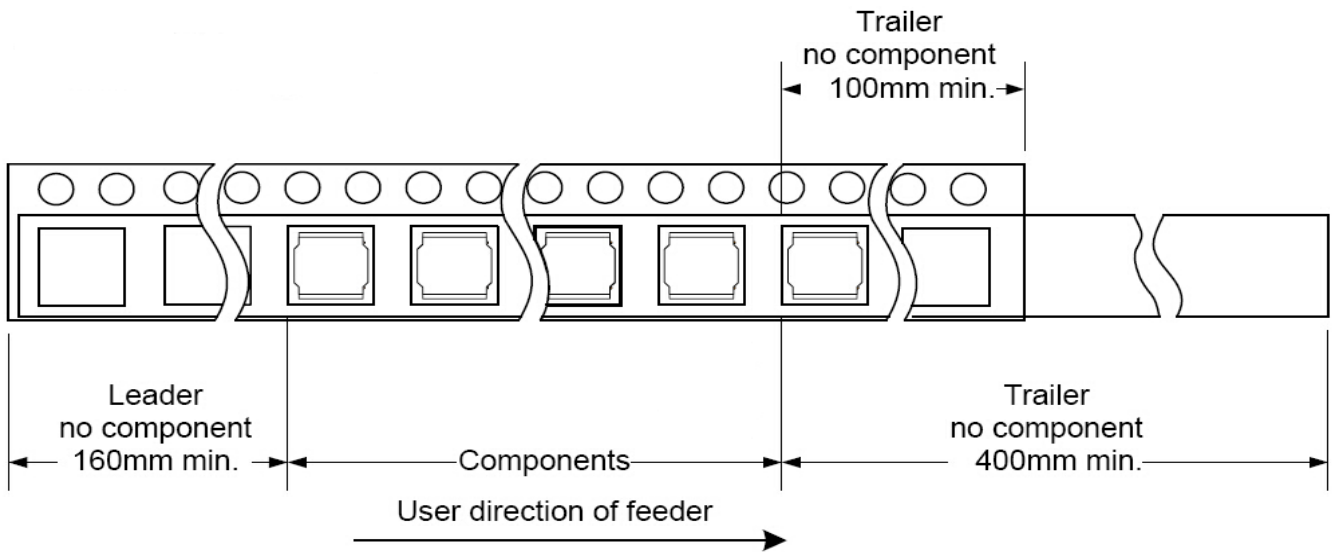
TYPE	Chip Thickness	W	A	B	D	P	K Max	T Max	MPQ
YNR8065	6.50	16.0	8.30	8.30	7.50	12.0	6.70	0.50	1000

■ Reel Dimensions(Unit:mm)

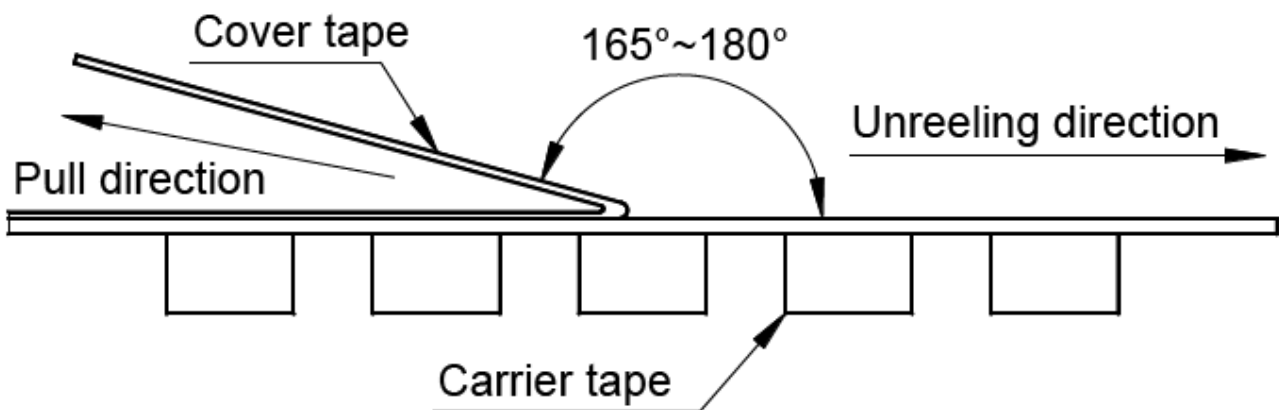


TYPE	W	W1	A	B	C	D
YNR8065	330±2.0	16.5±1.50	13.0±0.50	21.0±0.80	2.0±0.50	100 Min

Direction of rolling



Cover tape peel off condition



Cover tape peel force shall be 0.1N to 1.3N.

Reference peel speed 300 ± 10 mm/min.

X-ON Electronics

Largest Supplier of Electrical and Electronic Components

Click to view similar products for [Fixed Inductors](#) category:

Click to view products by [YJYCOIN](#) manufacturer:

Other Similar products are found below :

[CR32NP-151KC](#) [CR32NP-180KC](#) [CR32NP-181KC](#) [CR32NP-1R5MC](#) [CR32NP-390KC](#) [CR32NP-3R9MC](#) [CR32NP-680KC](#) [CR32NP-820KC](#) [CR32NP-8R2MC](#) [CR43NP-390KC](#) [CR43NP-560KC](#) [CR43NP-680KC](#) [CR54NP-181KC](#) [CR54NP-470LC](#) [CR54NP-820KC](#) [CR54NP-8R5MC](#) [70F224AI](#) [MGDQ4-00004-P](#) [MHL1ECTTP18NJ](#) [MHQ1005P10NJ](#) [MHQ1005P1N0S](#) [MHQ1005P2N4S](#) [MHQ1005P3N6S](#) [MHQ1005P5N1S](#) [MHQ1005P8N2J](#) [PE-51506NL](#) [PE-53601NL](#) [PE-53602NL](#) [PE-53630NL](#) [PE-53824SNLT](#) [PE-92100NL](#) [PG0434.801NLT](#) [PG0936.113NLT](#) [9220-20](#) [9310-16](#) [PM06-2N7](#) [PM06-39NJ](#) [A01TK](#) [1206CS-471XJ](#) [HC2LP-R47-R](#) [HC2-R47-R](#) [HC3-2R2-R](#) [HCF1305-3R3-R](#) [1206CS-151XG](#) [RCH664NP-140L](#) [RCH664NP-4R7M](#) [RCH8011NP-221L](#) [RCP1317NP-332L](#) [RCP1317NP-391L](#) [RCR1010NP-470M](#)