

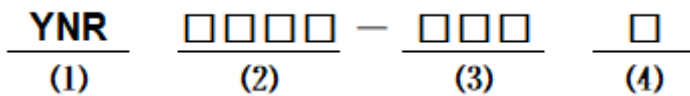
■ Features

- Low profile construction and miniature size.
- Magnetic shielded construction.
- High current saturation.
- Operating temperature:-40°C ~ +125°C.
- RoHS compliant.

■ Applications

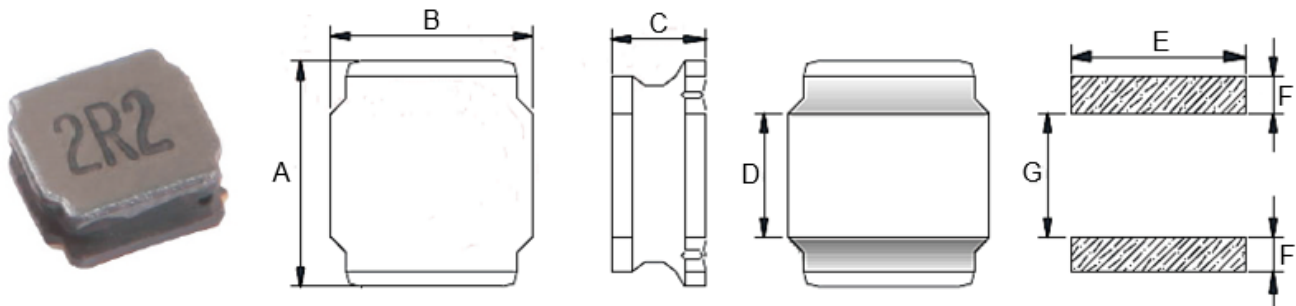
- For small DC/DC converter(HDD,DVC,DSC,PDA,LCD display etc.).
- Car navigation systems,telecom base stations.
- VR,AR,LED lighting.

■ Product Identification



- (1) : Type
- (2) : Dimensions
- (3) : Inductance value
- (4) : Inductance Tolerance; N=±30%,M=±20%, K=±10%

■ Shapes and Dimensions (Unit: mm)



| TYPE | A | B | C Max. | D | E Ref. | F Ref. | G Ref. |
|---------|---------|---------|--------|----------|--------|--------|--------|
| YNR8065 | 8.0±0.3 | 8.0±0.3 | 6.50 | 2.00±0.3 | 7.50 | 2.20 | 3.80 |

■ YNR8065 Series

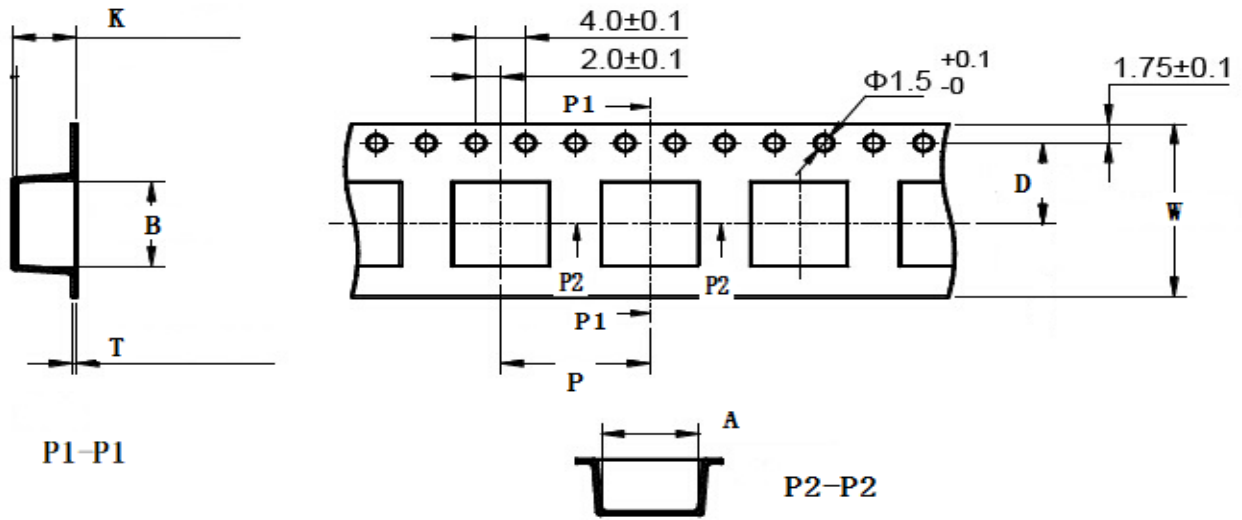
| Part Number | Inductance (uH) @100KHz | DC Resistance (Ω) | | Heat Rating Current (A) | Saturation Current (A) |
|--------------|----------------------------|----------------------------|-------|----------------------------|---------------------------|
| | | Typ. | Max. | | |
| YNR8065-1R0□ | 1.00 | 0.008 | 0.011 | 7.00 | 20.00 |
| YNR8065-2R2□ | 2.20 | 0.013 | 0.016 | 4.50 | 12.00 |
| YNR8065-3R3□ | 3.30 | 0.015 | 0.018 | 5.10 | 9.50 |
| YNR8065-4R7□ | 4.70 | 0.018 | 0.022 | 4.70 | 8.50 |
| YNR8065-5R6□ | 5.60 | 0.022 | 0.026 | 4.50 | 8.00 |
| YNR8065-6R8□ | 6.80 | 0.022 | 0.026 | 4.50 | 7.50 |
| YNR8065-8R2□ | 8.20 | 0.026 | 0.031 | 4.20 | 7.00 |
| YNR8065-100□ | 10.0 | 0.037 | 0.044 | 3.20 | 8.00 |
| YNR8065-150□ | 15.0 | 0.044 | 0.053 | 3.30 | 5.70 |
| YNR8065-220□ | 22.0 | 0.060 | 0.072 | 2.70 | 4.30 |
| YNR8065-330□ | 33.0 | 0.100 | 0.110 | 2.00 | 3.40 |
| YNR8065-470□ | 47.0 | 0.127 | 0.152 | 1.85 | 3.40 |
| YNR8065-560□ | 56.0 | 0.165 | 0.198 | 1.35 | 3.20 |
| YNR8065-680□ | 68.0 | 0.182 | 0.218 | 1.55 | 2.70 |
| YNR8065-101□ | 100 | 0.233 | 0.280 | 1.35 | 2.00 |
| YNR8065-151□ | 150 | 0.353 | 0.440 | 0.95 | 1.60 |
| YNR8065-221□ | 220 | 0.547 | 0.656 | 0.80 | 1.20 |
| YNR8065-331□ | 330 | 0.700 | 0.840 | 0.75 | 1.00 |
| YNR8065-471□ | 470 | 1.300 | 1.560 | 0.55 | 1.00 |
| YNR8065-681□ | 680 | 1.620 | 1.944 | 0.52 | 0.85 |
| YNR8065-102□ | 1000 | 2.350 | 2.820 | 0.40 | 0.65 |
| YNR8065-152□ | 1500 | 3.650 | 4.380 | 0.32 | 0.54 |
| YNR8065-222□ | 2200 | 5.000 | 6.000 | 0.27 | 0.45 |
| YNR8065-332□ | 3300 | 7.300 | 8.760 | 0.23 | 0.36 |

■ YNR8065 Series

| Part Number | Inductance (uH) @100KHz | DC Resistance (Ω) | | Heat Rating Current (A) | Saturation Current (A) |
|--------------|----------------------------|----------------------------|--------|----------------------------|---------------------------|
| | | Typ. | Max. | | |
| YNR8065-472□ | 4700 | 12.150 | 14.580 | 0.18 | 0.29 |
| YNR8065-682□ | 6800 | 18.700 | 22.440 | 0.14 | 0.26 |
| YNR8065-103□ | 10000 | 22.800 | 27.360 | 0.13 | 0.20 |

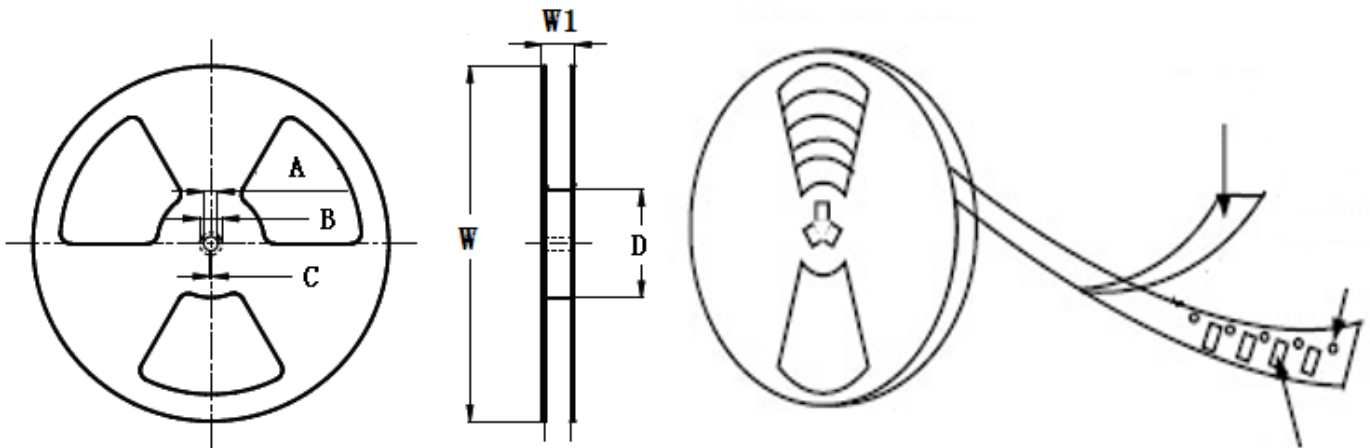
- ※ The saturation current value is the DC current value having inductance decrease down to 30%. (at 20°C)
- ※ The temperature rise current value is the DC current value having temperature increase up to 40°C. (at 20°C)
- ※ The rated current is the DC current value that satisfies both of current value saturation current value and temperature rise current value.

■ Taping Dimensions(Unit:mm)



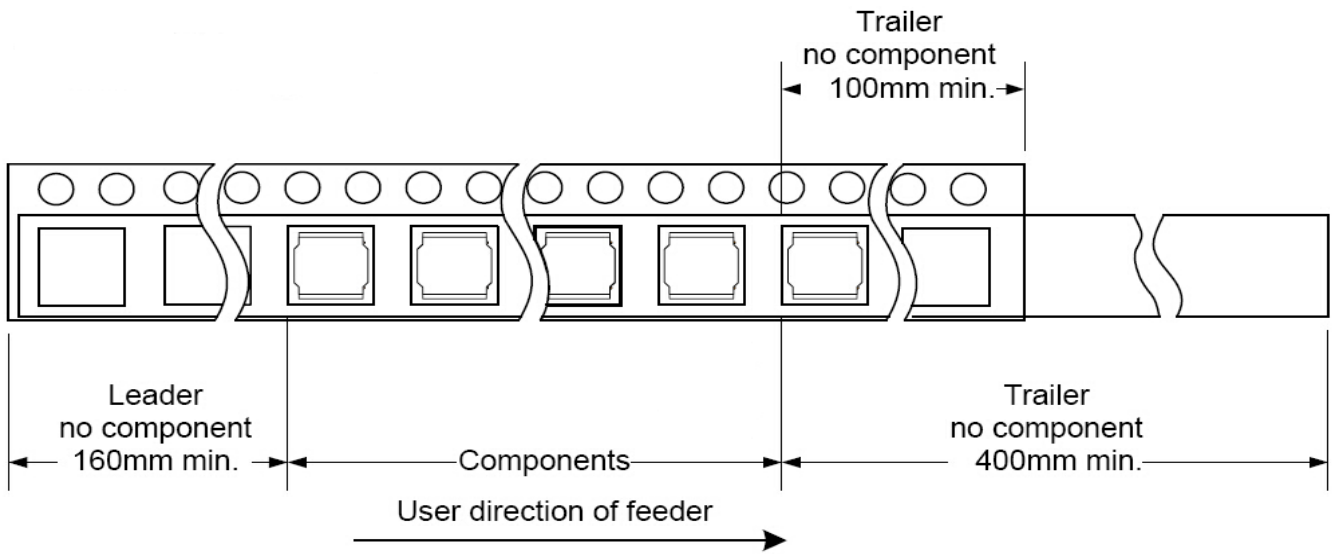
| TYPE | Chip Thickness | W | A | B | D | P | K Max | T Max | MPQ |
|---------|----------------|------|------|------|------|------|-------|-------|------|
| YNR8065 | 6.50 | 16.0 | 8.30 | 8.30 | 7.50 | 12.0 | 6.70 | 0.50 | 1000 |

■ Reel Dimensions(Unit:mm)

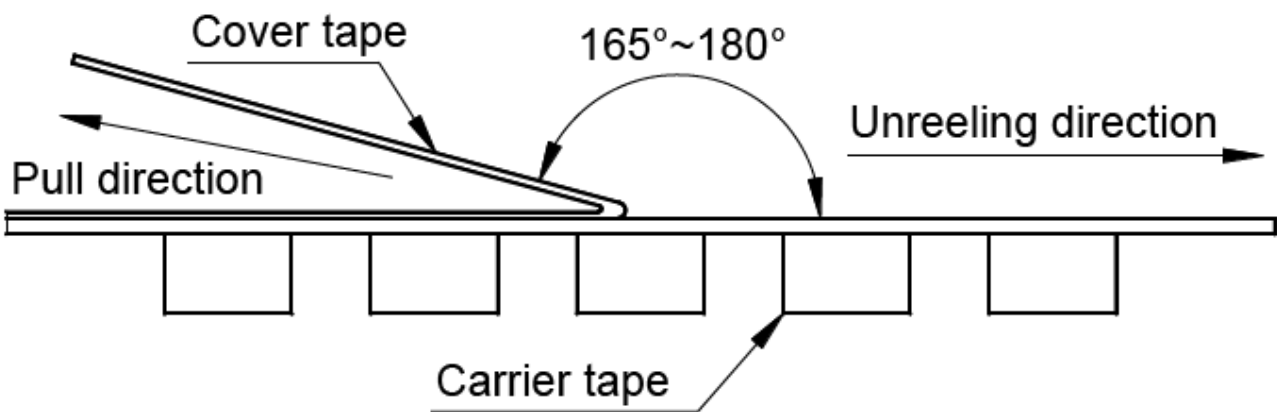


| TYPE | W | W1 | A | B | C | D |
|---------|---------|-----------|-----------|-----------|----------|---------|
| YNR8065 | 330±2.0 | 16.5±1.50 | 13.0±0.50 | 21.0±0.80 | 2.0±0.50 | 100 Min |

Direction of rolling



Cover tape peel off condition



Cover tape peel force shall be 0.1N to 1.3N.

Reference peel speed 300 ± 10 mm/min.

X-ON Electronics

Largest Supplier of Electrical and Electronic Components

Click to view similar products for [Fixed Inductors](#) category:

Click to view products by [YJYCOIN](#) manufacturer:

Other Similar products are found below :

[CR32NP-151KC](#) [CR32NP-180KC](#) [CR32NP-181KC](#) [CR32NP-1R5MC](#) [CR32NP-390KC](#) [CR32NP-3R9MC](#) [CR32NP-680KC](#) [CR32NP-820KC](#) [CR32NP-8R2MC](#) [CR43NP-390KC](#) [CR43NP-560KC](#) [CR43NP-680KC](#) [CR54NP-181KC](#) [CR54NP-470LC](#) [CR54NP-820KC](#) [CR54NP-8R5MC](#) [70F224AI](#) [MGDQ4-00004-P](#) [MHL1ECTTP18NJ](#) [MHQ1005P10NJ](#) [MHQ1005P1N0S](#) [MHQ1005P2N4S](#) [MHQ1005P3N6S](#) [MHQ1005P5N1S](#) [MHQ1005P8N2J](#) [PE-51506NL](#) [PE-53601NL](#) [PE-53602NL](#) [PE-53630NL](#) [PE-53824SNLT](#) [PE-92100NL](#) [PG0434.801NLT](#) [PG0936.113NLT](#) [9220-20](#) [9310-16](#) [PM06-2N7](#) [PM06-39NJ](#) [A01TK](#) [1206CS-471XJ](#) [HC2LP-R47-R](#) [HC2-R47-R](#) [HC3-2R2-R](#) [HCF1305-3R3-R](#) [1206CS-151XG](#) [RCH664NP-140L](#) [RCH664NP-4R7M](#) [RCH8011NP-221L](#) [RCP1317NP-332L](#) [RCP1317NP-391L](#) [RCR1010NP-470M](#)